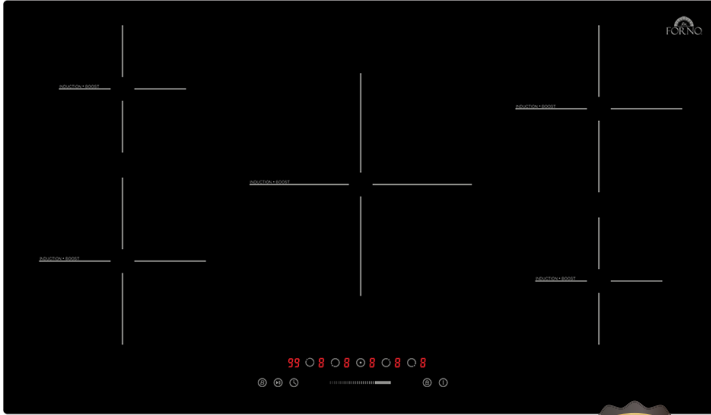


**Parco 36-Inch Induction Cooktop,
5 Zones, 10200W, Touch Control,
9 Power Levels & Booster Function**
Model: FCTIN0583-36



KEY Features

- 5 Zones (10200W)
- Touch Control
- 9 Power Levels & Booster Function
- Individual Timer of 99 Minutes
- Stop & Go Function
- Child Control Lock

APPEARANCE

| | |
|-------------------------|-----------------|
| Cooktop Size | 36 Inch |
| Fuel Type | Electric |
| Cooktop Cavity material | Ceramic-Glass |
| Cooktop Surface | Smooth |
| Unit color | Black |
| Control Type | Touch Control |
| Control Location | Front of Burner |
| Number of Cooking Zone | 5 |
| Fingerprint resistant | Yes |
| Frameless | Yes |

FEATURES

| | |
|--------------------------------------|-------------------------|
| Heating Element "ON" Indicator Light | Yes |
| Timer (of 99 Minutes) | Yes |
| Power Off Function | Yes |
| Child Lock | Yes |
| Display Type | LED |
| Display Light Color | Red |
| Number of Power Levels | 9 |
| Booster Function | Yes |
| Stop & Go Function | Yes |
| Front Left Cooking Zone (Watts) | 2000W, 3000W with boost |
| Left Rear Cooking Zone (Watts) | 1500W, 2000W with boost |
| Front Right Cooking Zone (Watts) | 1500W, 2000W with boost |
| Right Rear Cooking Zone (Watts) | 2000W, 3000W with boost |
| Middle Cooking Zone (Watts) | 2300W, 3000W with boost |

TECHNICAL SPECIFICATIONS

| | |
|---------------------------|---------------------------|
| Circuit Breaker: | 50 Amps |
| Volts | 240V |
| Frequency (Hz) | 60 |
| Power Cord Included | Yes |
| Power Cord Location: | Bottom |
| Power Cord Length: | 3.94 Ft |
| Power Cord Type: | No Plug, (Hard Wired) |
| ISTA 6A | Yes |
| Safety Standards | cETLus |
| Certification | UL-858 CSA-C22.2 No.61 |
| File/Certification Number | 4002064 |

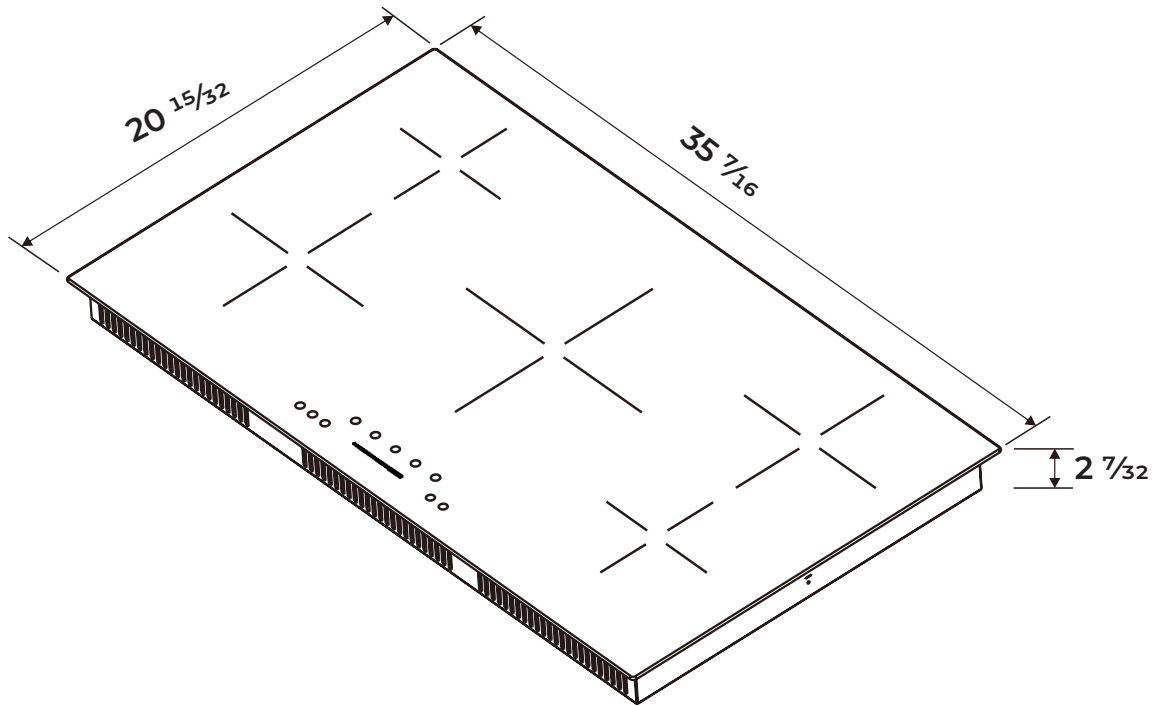
PRODUCT DIMENSIONS

| | |
|--------------------------------|-------------------------------|
| Product Dimensions (W X D X H) | 35.43 x 20.47 x 2.22 (Inches) |
| Cutout Dimension (W X D X H) | 34.625 x 19.69 x 2.06(Inches) |
| Net Weight (lbs) | 35 |

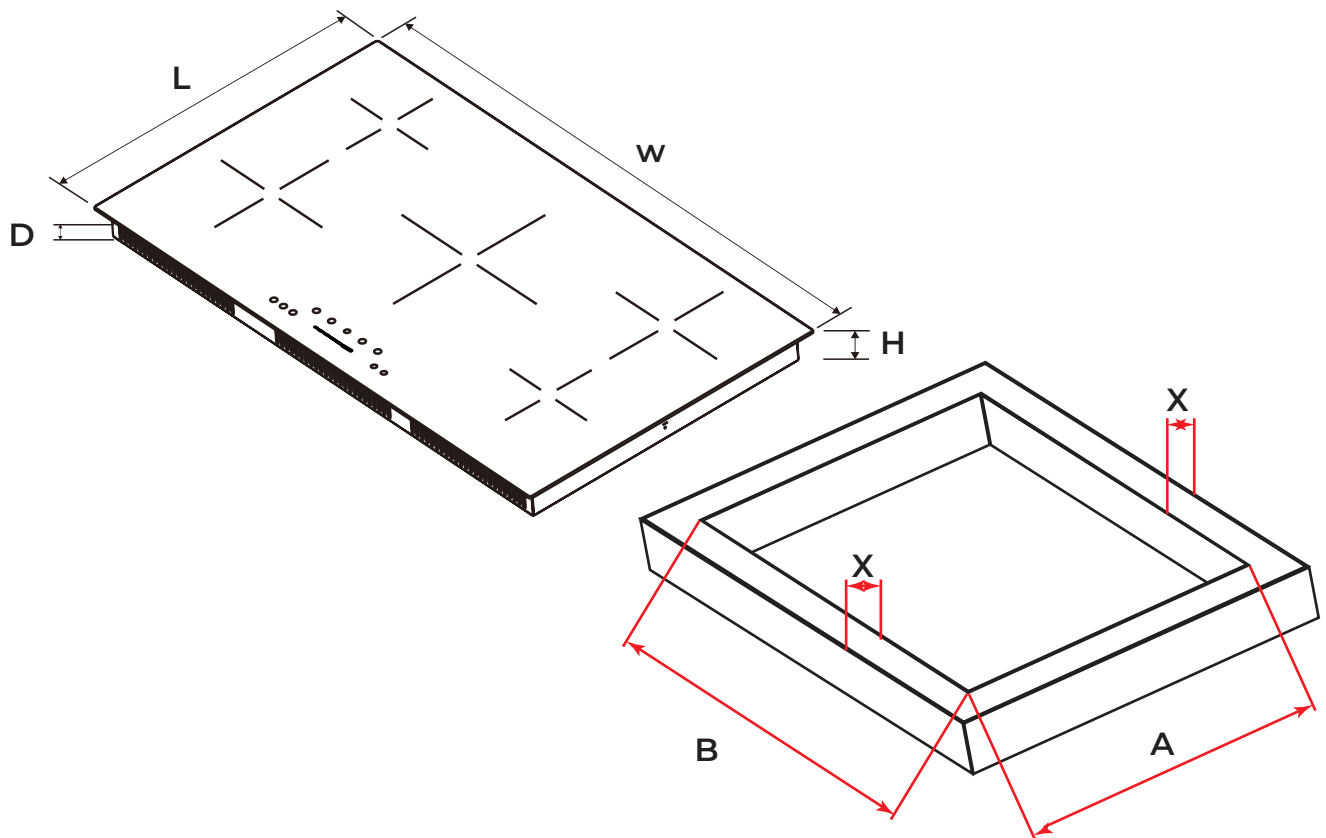
CARTON DIMENSIONS

| | |
|----------------------------------|-------------------------------|
| Packaging Dimensions (W X D X H) | 34.45 x 24.41 x 4.72 (Inches) |
| Carton Weight (lbs) | 41.56 |

PRODUCT DIMENSION



PRODUCT DIMENSION



| Model | L | W | H | D | A | B | X |
|--------------|---------------------|----------------------|--------------------|--------------------|------------------------------------|-----------------------------------|----|
| FCTIN0583-36 | $35 \frac{7}{16}$ " | $20 \frac{15}{32}$ " | $2 \frac{7}{32}$ " | $2 \frac{1}{16}$ " | $34 \frac{7}{16} + \frac{3}{16}$ " | $19 \frac{1}{2} + \frac{3}{16}$ " | 2" |