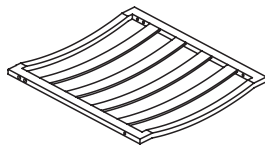


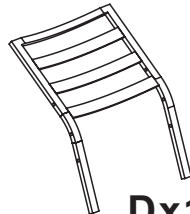
AX1



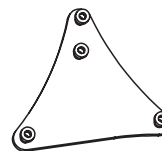
Bx1



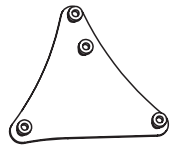
Cx1



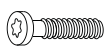
Dx1



Ex1



E₁x1



Fx8



Gx4



Hx8



Ix4



Jx8



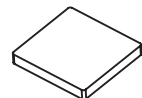
Kx4



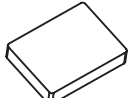
Lx1



Mx1

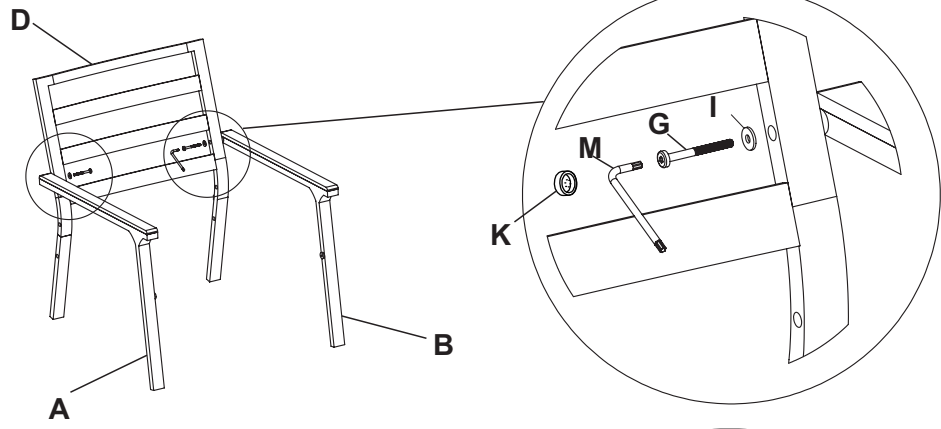


Nx1

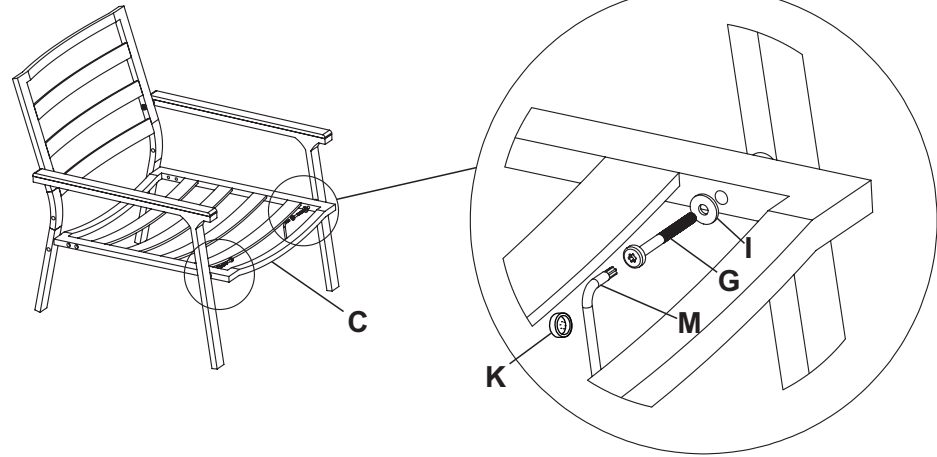


O₁x1

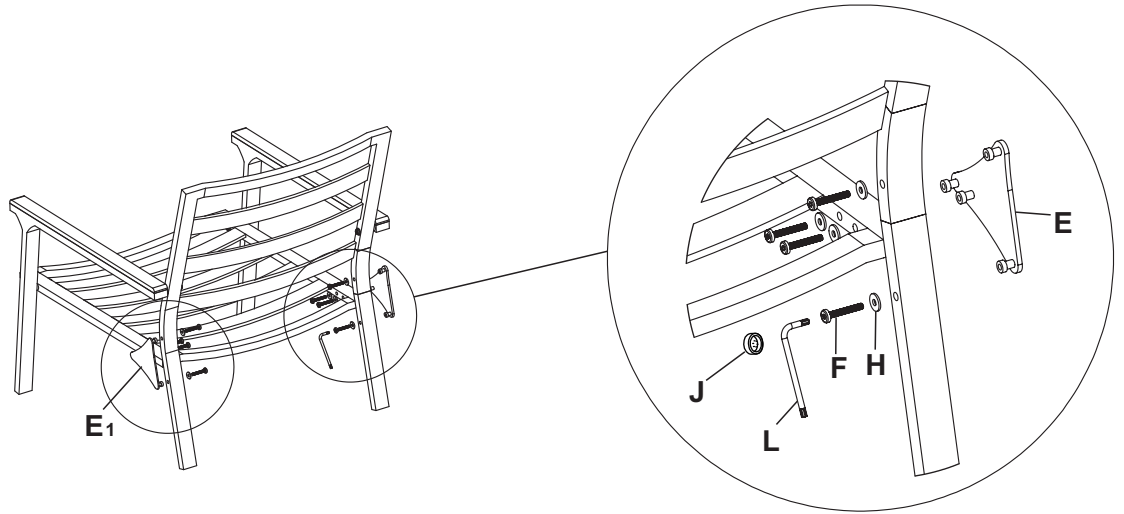
1



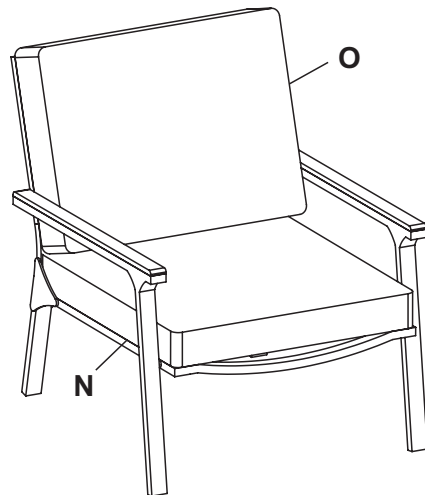
2

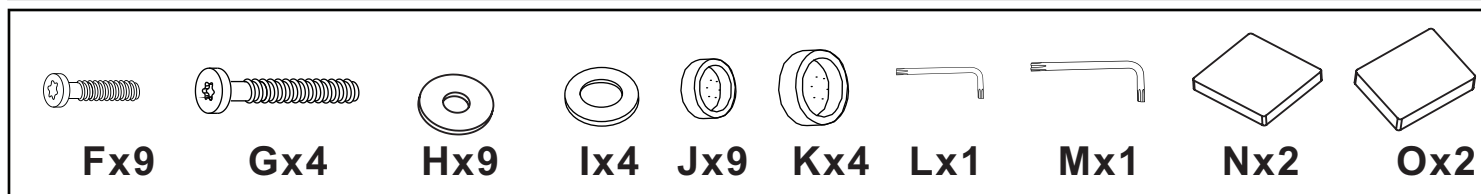
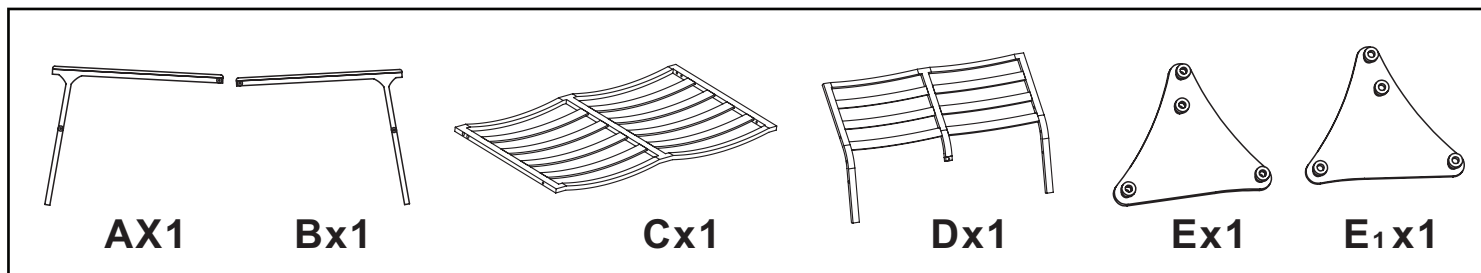
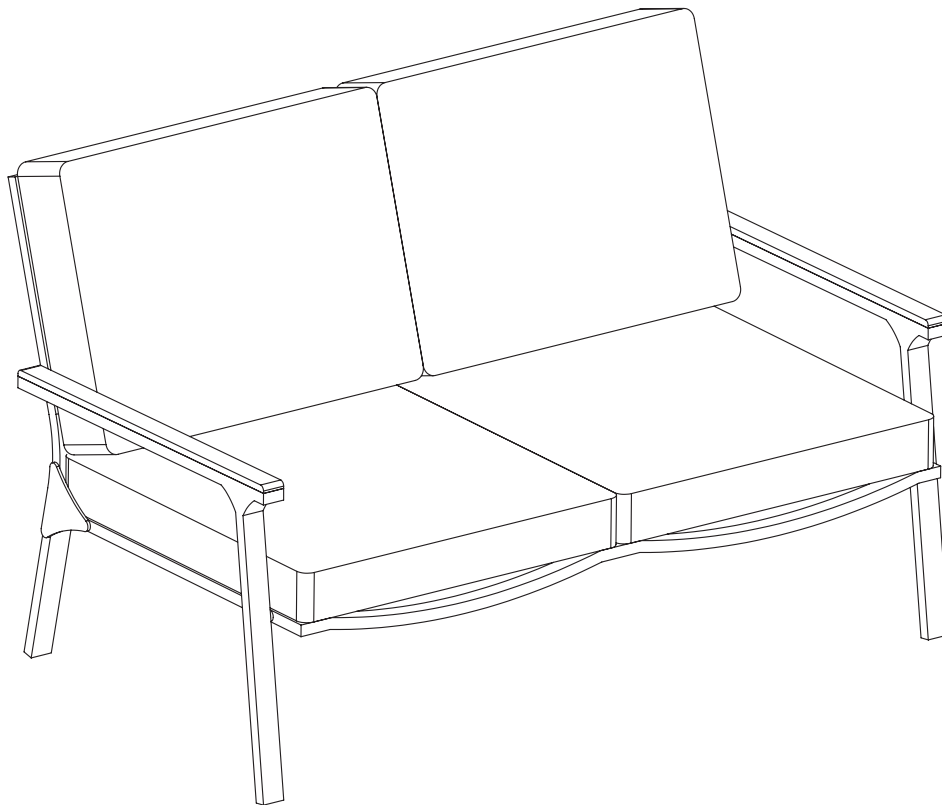


3

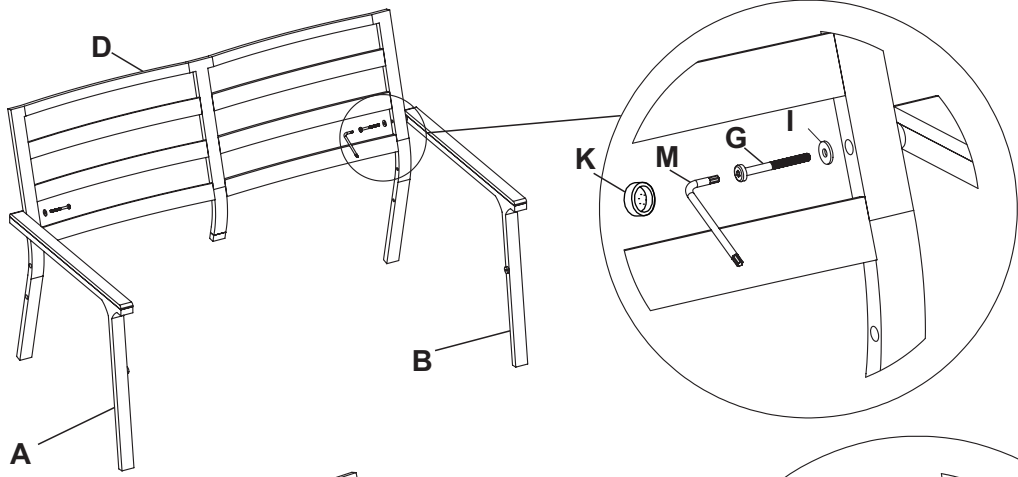


4

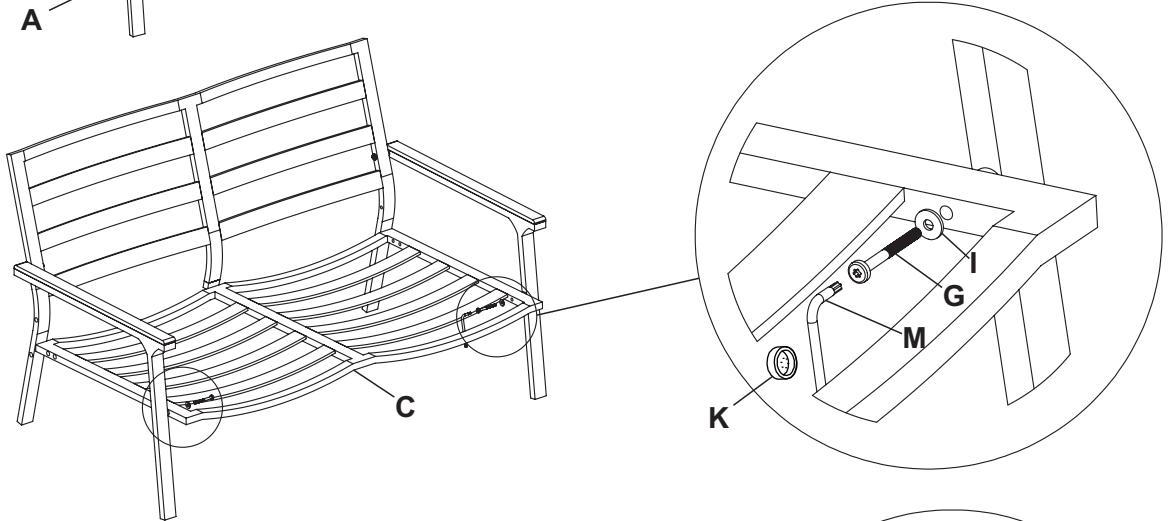




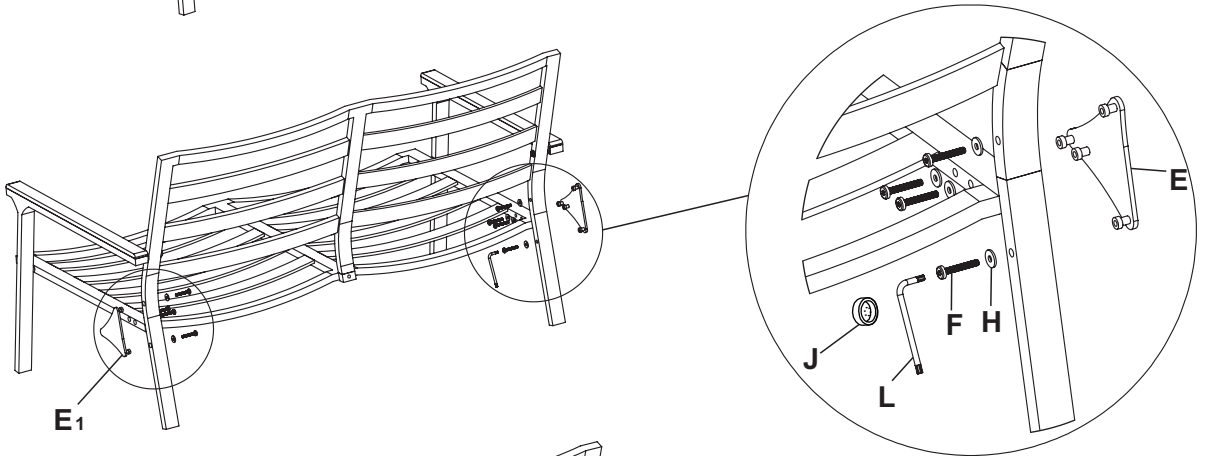
1



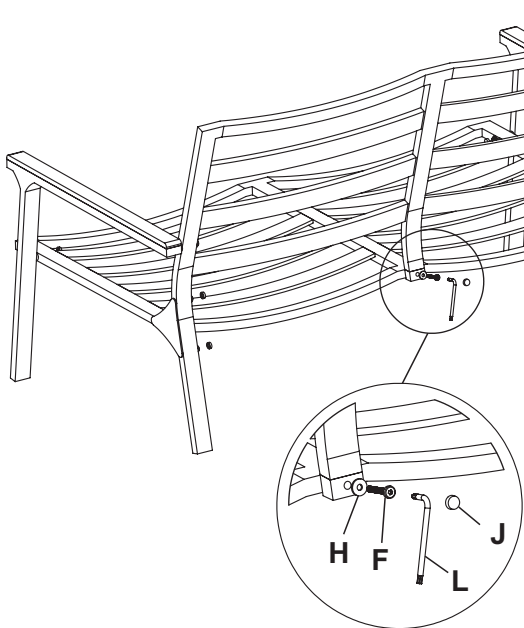
2



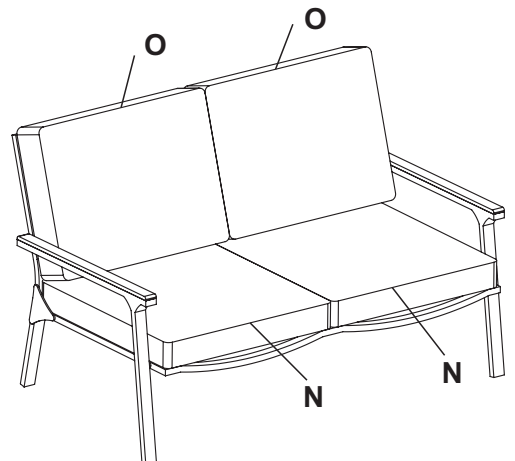
3

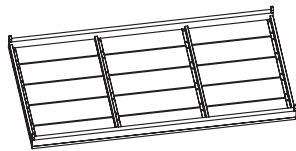
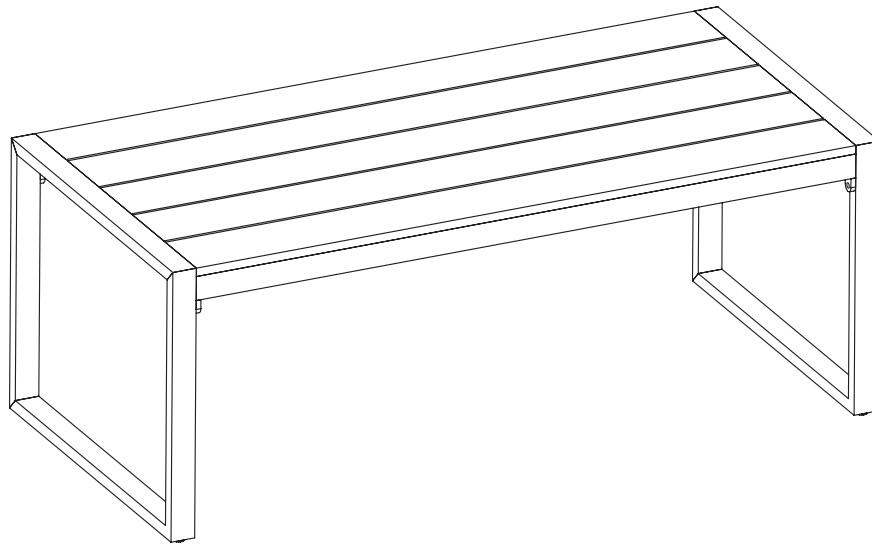


4

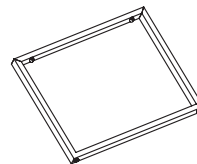


5

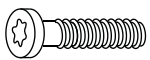




AX1



Bx2



Cx4



Dx4



Ex8

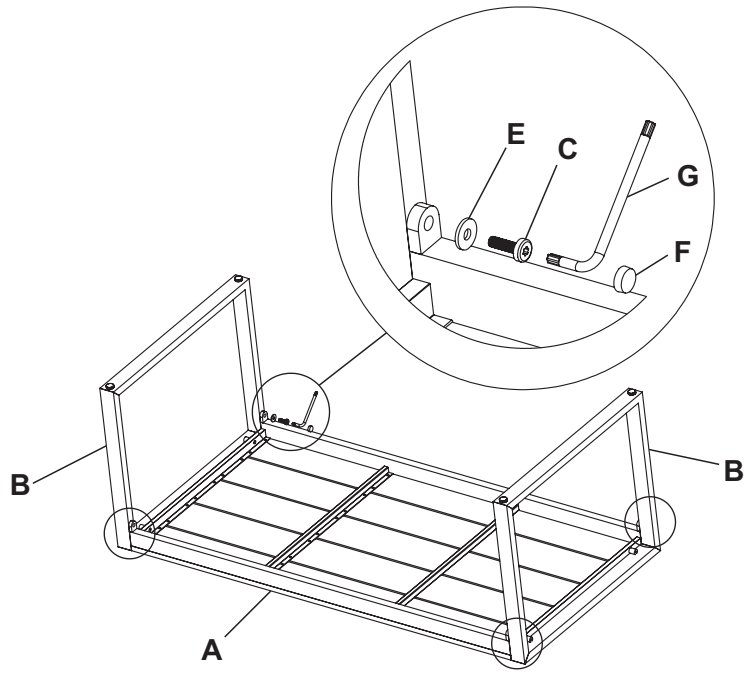


Fx8

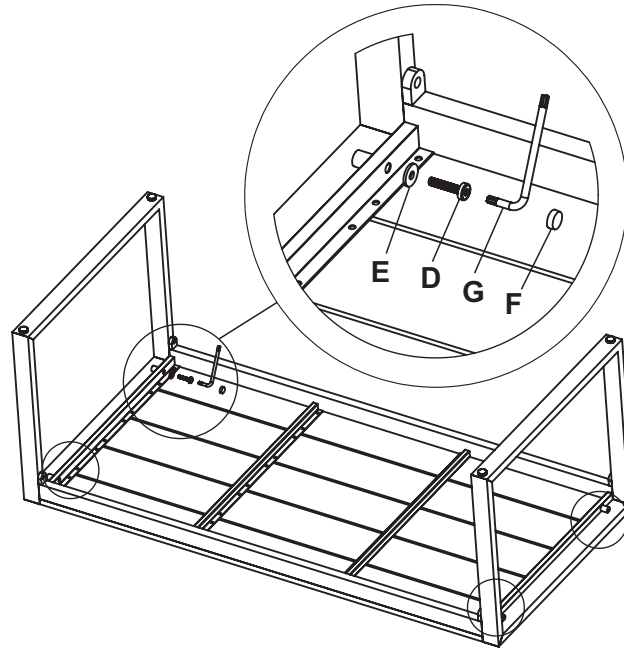


Gx1

1



2



3

