

Slant Vent Series Range Hoods JQG7501 / JQG7501.G Spec Sheet

FOTILE

A BREATH OF FRESH ENGINEERING®

FOTILE JQG7501 and JQG7501.G 30" Slant Vent Range Hoods are powerful and sleek looking. With versatile mounting options whether under cabinet or wall mount, these powerful certified Range Hoods offer superior smoke, grease, and odor extraction due to their unique design, close proximity to the cooktop, and a 90 degree angle automatic open Capture Shield. Best of all, these powerful range hoods not only offer excellent venting performance, they are exceptionally quiet so you can have a casual conversation as you are preparing a meal. Available in Onyx Black Tempered Glass or Grey Tempered Glass.



JQG7501



JQG7501.G



Key Features



90° Automatic Open Capture Shield to Prevent Smoke from Spreading



Slant Vent Design Ensures Close Proximity to Cooking Surface and Smoke



Dual AC Centrifugal Motors for Exhaustive and Strong Ventilation



98% Odor Reduction Rate & 95% Grease Separation Rate

Secondary Features

- Extra Wide Smoke Inlet
Covers 6 ft² of Cooking Area (5-6 Burners)
- Auto Delay Shutoff
Extracts Lingering Odors After Cooking
- Powerful LED Light
Lights Up Your Cooktop
- Large Oil Collection Cup
Detachable and Easy to Clean

Slant Vent Series Range Hoods JQG7501 / JQG7501.G Spec Sheet

FOTILE

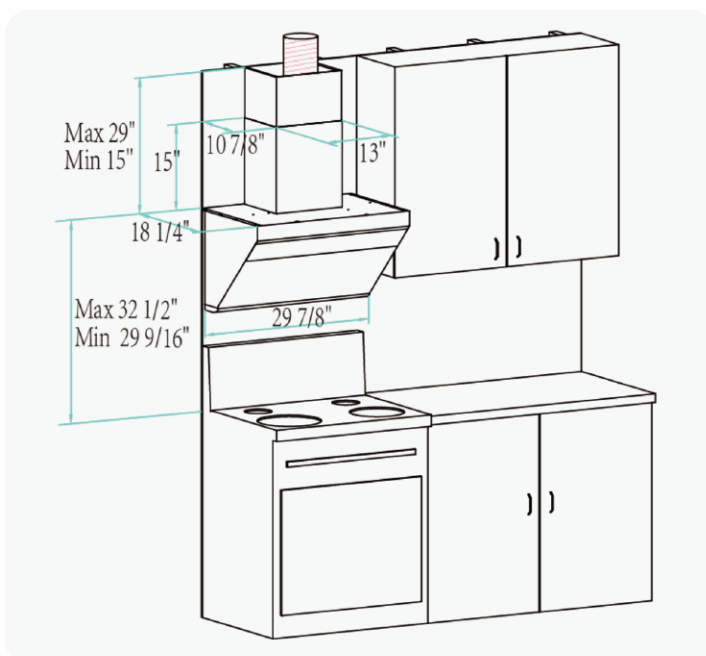
A BREATH OF FRESH ENGINEERING®

Specifications Table

Model	JQG7501 / JQG7501.G
Certification	ETL, HVI, CEC
Width(inch)	29 7/8
Installation	Under Cabinet/Wall Mount(Optional Decorative Cover Required)
Speed Setting	3
CFM(HVI)	230 / 410 / 530
Max. EQUIV.CFM	850*
Max Static Pressure(Pa)	400
Power Supply(V/Hz)	120/60
Noise Level(sones)	1.2 / 3.9 / 6.0
Noise Level(dB)	39 / 49.2 / 54.3
Illumination(W)	3W × 2 (LED)
Motor	Dual AC Motors
Operation Type	Touch
Delay Shutoff	2min
Screen Lock	Y
Grease Filtration Rate	95%
Odor Reduction Rate	98%
Warranty	Labor: 2 Years Parts: 5 Years(Limited) Motors: Lifetime Limited Warranty

*FOTILE Equivalent CFM is a higher CFM rating due to our filterless technology that combines WhisPower Motors and Capture-Shield design. By utilizing this technology, FOTILE applies the Coanda Effect by accelerating smoke extraction and grease separation, and increasing our Capture Efficiency. This enables FOTILE to cover a larger cooktop surface (6 Sq Ft) and achieve a 95% oil filtration rate, and 98% odor reduction rate, keeping your kitchen smoke free and smelling fresh.

Installation Dimensions



Installation Examples



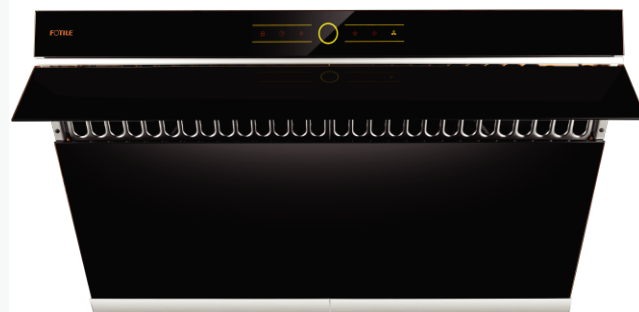
Slant Vent Series Range Hoods

JQG9001 Spec Sheet

FOTILE

A BREATH OF FRESH ENGINEERING®

FOTILE JQG9001 36" Slant Vent Range Hood is powerful and sleek looking. With versatile mounting options whether under cabinet or wall mount, this powerful certified Range Hood offers superior smoke, grease, and odor extraction due to its unique design, close proximity to the cooktop, and a 90 degree angle automatic open Capture Shield. Best of all, this powerful range hood not only offers excellent venting performance, it's exceptionally quiet so you can have a casual conversation as you are preparing a meal. Available in Onyx Black Tempered Glass.



Key Features



90° Automatic Open Capture Shield to Prevent Smoke From Spreading



Slant Vent Design Ensures Close Proximity to Cooking Surface and Smoke



Dual AC Centrifugal Motors for Exhaustive and Strong Ventilation



98% Odor Reduction Rate & 95% Oil Separation Rate

Secondary Features

- Extra Wide Smoke Inlet
Covers 7.2 ft² of Cooking Area (5-6 Burners)
- Auto Delay Shutoff
Extracts Lingering Odors After Cooking
- Powerful LED Light
Lights Up Your Cooktop
- Large Oil Collection Cup
Detachable and Easy to Clean

Slant Vent Series Range Hoods

JQG9001 Spec Sheet

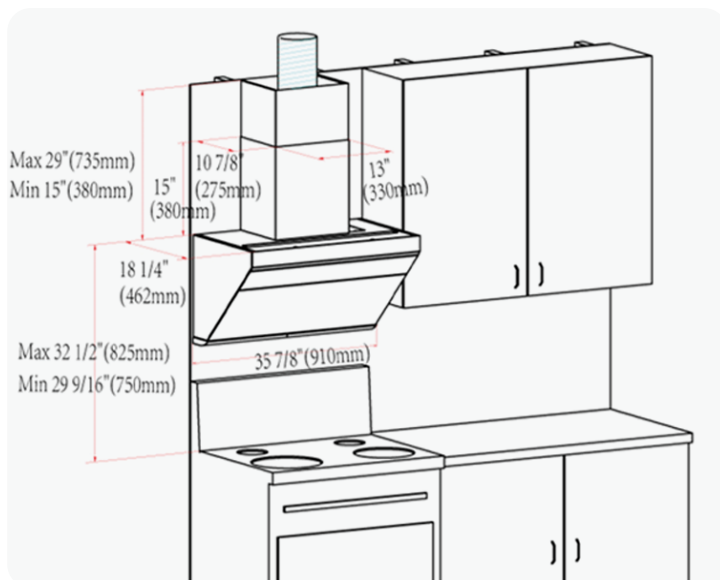
FOTILE
A BREATH OF FRESH ENGINEERING®

Specifications Table

Model	JQG9001
Certification	ETL, HVI, CEC
Width(inch)	35 7/8
Installation	Under Cabinet/Wall Mount(Optional Decorative Cover Required)
Speed Setting	3
CFM(HVI)	230 / 410 / 530
Max. EQUIV.CFM	850*
Max Static Pressure(Pa)	400
Power Supply(V/Hz)	120/60
Noise Level(sones)	1.2 / 3.9 / 6.0
Noise Level(dB)	39.0 / 49.2 / 54.3
Illumination(W)	3W × 2 (LED)
Motor	Dual AC Motors
Operation Type	Touch
Delay Shutoff	2min
Screen Lock	Y
Grease Filtration Rate	95%
Odor Reduction Rate	98%
Warranty	Labor: 2 Years Parts: 5 Years(Limited) Motors: Lifetime Limited Warranty

*FOTILE Equivalent CFM is a higher CFM rating due to our filterless technology that combines WhisPower Motors and Capture-Shield design. By utilizing this technology, FOTILE applies the Coanda Effect by accelerating smoke extraction and grease separation, and increasing our Capture Efficiency. This enables FOTILE to cover a larger cooktop surface (7.2 Sq Ft) and achieve a 95% oil filtration rate, and 98% odor reduction rate, keeping your kitchen smoke free and smelling fresh.

Installation Dimensions



Installation Examples

