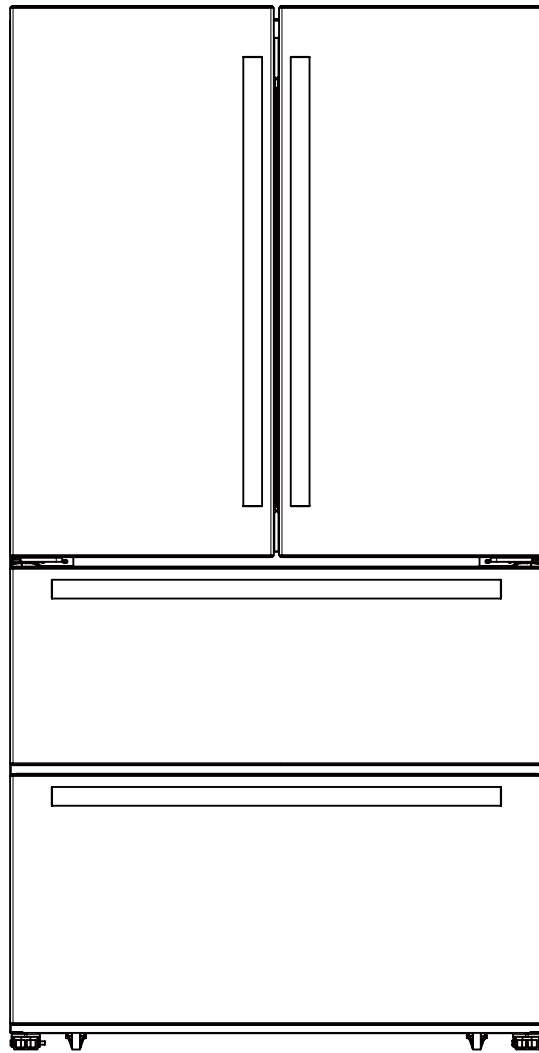




FORNO

Alta Qualita



FFRBI1820-36S
FFRBI1820-36SB

36" French Door Refrigerator-Freezer 19.3 cuft, with Ice Maker

BEFORE USE, PLEASE READ AND FOLLOW ALL SAFETY RULES AND OPERATING INSTRUCTIONS.

TABLE OF CONTENTS

Customer Care	3
Appliance Safety	6
Important Safeguards	7
Parts and Features	8
Important Safety Instructions	9
Installation Instructions	10
Electrical Connection	11
Ice Maker	12
Operating Your Appliance	13-15
Care and Maintenance	16
Cleaning Your Appliance	16
Power Failure / Vacation Time / Moving Your Appliance	16
Energy Saving Tips	16
Troubleshooting Guide	17
Wiring Diagram	18



WARNING: This product can expose you to chemicals including [Lead , Lead and lead compounds, Bisphenol A], which is [are] known to the State of California to cause cancer and birth defects or other reproductive harm.

For more information go to www.P65Warnings.ca.gov.

Customer Care

Thank you for purchasing a **FORNO** product. Please read the entire instruction manual before operating your new appliance for the first time. Whether you are an occasional user or an expert, it will be beneficial to familiarize yourself with the safety practices, features, operation and care recommendations of your appliance.

Both the model and serial number are listed inside the product. For warranty purposes and establish warranty period, you will also need the serial number, the date of purchase & a copy of your proof of purchase.

Record this information below for future reference.

SERVICE INFORMATION

Use these number in any correspondence or service calls concerning your product.

Model Number

If you received a damaged product, immediately contact **FORNO**.

Serial Number

Save time and money. Before you call for service, check the Troubleshooting Guide. It lists the causes of minor operating problems that you can correct yourself.

Date of Purchase

Purchase Address & Phone

SERVICE IN CANADA & UNITED STATES

Keep the instruction manual handy to answer your questions. You can also find all the information you need online at www.forno.ca.

If you don't understand something or need more assistance, please visit our website or email: info@forno.ca

If there is a problem, please contact FORNO customer service. Please note that troubleshooting with a customer service representative will be needed before being able to send a service provider. All warranty work needs to be authorized by FORNO customer service. All our authorized service providers are carefully selected and rigorously trained by us.

Warranty

What this limited warranty covers:

The Warranty coverage provided by Forno Appliances in this statement applies exclusively to the original Forno appliance (“Product”) sold to the consumer (“Purchaser”) by an authorized Forno dealer/distributor/retailer, purchased and installed in the United States or Canada, and which has always remained within the original country of purchase (the United States or Canada). Warranty coverage is activated on the date of the Product’s original retail purchase and has a duration of two (2) years.

Warranty coverage is non-transferable. In the event of replacement of parts or of the entire product, the replacement Product (or parts) shall assume the remaining original Warranty activated with the original retail purchase document. This Warranty shall not be extended with respect to such replacement. Forno Appliances will repair or replace any component/part which fails or proves defective due to materials and/or workmanship within 2 years of the date of the original retail purchase and under conditions of ordinary residential, non-commercial use. Repair or replacement will be free of charge, including labor at standard rates and shipping expenses. Purchaser is responsible for making the Product reasonably accessible for service. Repair service must be performed by a Forno Authorized Service company during normal working hours.

IMPORTANT

Retain proof of original purchase to establish warranty period. Forno’s liability on any claim of any kind, with respect to the goods and/or services provided, shall in no event exceed the value of the goods or service or part there of which has given rise to the claim.

30-Day Cosmetic Warranty

The Purchaser must inspect the product at the time of delivery. Forno warrants that the Product is free from manufacturing defects in materials and workmanship for a period of thirty (30) days from date of the original retail purchase of the Product.

This coverage includes:

- Paint blemishes
- Chips
- Macroscopic finish defects

Cosmetic warranty does NOT cover:

- > issues resulting from incorrect transport, handling and/or installation (e.g.: dents, broken, warped or deformed structures or components, cracked or otherwise damaged glass components);
- > slight color variations on painted/enamelled components;
- > differences caused by natural or artificial lighting, location or other analogous factors;
- > stains/corrosion/discoloration caused by external substances and/or environmental factors;
- > labor costs, display, floor, B-stock, out- of-box, “as is” appliances and demo units.

How to receive service

To receive warranty services, the Purchaser must contact the Forno Support department in order to determine the problem and the required service procedures. Troubleshooting with a customer service representative will be necessary before moving forward with the service. Model number, serial number and date of original retail purchase will be requested.

Warranty Exclusions: What Is Not Covered

- > Use of the Product in any non-residential, commercial application.
- > Use of the Product for anything other than its intended purpose.
- > Repair services provided by anyone other than a Forno Authorized Service agency.
- > Damages or repair services to correct services provided by unauthorized parties or the use of unauthorized parts.
- > Installation not in accordance with local/state/city/county fire codes, electrical codes, gas codes, plumbing codes, building codes, laws or regulations.
- > Defects or damage due to improper storage of the Product.
- > Defects, damage or missing parts on products sold out of the original factory packaging or from displays.
- > Service calls or repairs to correct an incorrect installation of the Product and/or related accessories.
- > Replacement of parts/service calls to connect, convert or otherwise repair the electrical wiring and/or gas line in order to properly use the product.
- > Replacement of parts/service calls to provide instructions and information on the use of the Product.
- > Replacement of parts/service calls to correct issues arising from the product being used in a manner other than what is normal and customary for residential use.
- > Replacement of parts/service calls due to wear and tear of components such as seals, knobs, pan supports, shelving, cutlery baskets, buttons, touch displays, scratched or broken ceramic-glass tops.
- > Replacement of parts/service calls for lack of/improper maintenance, including but not limited to: build up of residues, stains, scratches, discoloration, corrosion.
- > Defects and damages arising from accidents, alteration, misuse, abuse or improper installation.
- > Defects and damages arising from Product transport, logistics and handling. Inspection of the product must be made at time of delivery. Following receipt and inspection, the selling dealer/delivery company must be notified of any issues arising from handling, transport and logistics.
- > Defects and damages arising from external forces beyond the control of Forno Appliances, including but not limited to wind, rain, sand, fires, floods, mudslides, freezing temperatures, excessive moisture or extended exposure to humidity, power surges, lightning, structural failures surrounding the appliance and other acts of God.
- > Products whose serial number has been altered/damaged/tampered with. In no case shall Forno be held liable or responsible for damage to surrounding property, including furniture, cabinetry, flooring, panels, and other structures surrounding the Product. Forno is neither liable nor responsible for the Product if it is located in a remote area or an area where certified trained technicians are not reasonably available. Purchaser must bear any transportation and delivery costs of the Product to the nearest Authorized Service Center or the additional travel expenses of a certified trained technician

THERE ARE NO EXPRESS WARRANTIES OTHER THAN THOSE LISTED AND DESCRIBED ABOVE, AND NO WARRANTIES, EITHER EXPRESS OR IMPLIED, INCLUDING, BUT NOT LIMITED TO, ANY IMPLIED WARRANTIES OF MERCHANTABILITY OR FITNESS FOR A PARTICULAR PURPOSE THAT SHALL APPLY AFTER THE EXPRESS WARRANTY PERIODS STATED ABOVE, AND NO OTHER EXPRESS WARRANTY OR GUARANTEE GIVEN BY ANY PERSON, FIRM OR CORPORATION WITH RESPECT TO THIS PRODUCT SHALL BE BINDING ON FORNO. FORNO SHALL NOT BE LIABLE FOR LOSS OF REVENUE OR PROFITS, FAILURE TO REALIZE SAVINGS OR OTHER BENEFITS, TIME AWAY FROM WORK, MEALS, LOSS OF FOOD OR BEVERAGES, TRAVELING OR HOTEL EXPENSES, EXPENSES TO RENT OR PURCHASE APPLIANCES, REMODELING/CONSTRUCTION EXPENSES IN EXCESS OF DIRECT DAMAGES WHICH ARE UNDENIABLY CAUSED EXCLUSIVELY BY FORNO OR ANY OTHER SPECIAL, INCIDENTAL OR CONSEQUENTIAL DAMAGES CAUSED BY THE USE, MISUSE OR INABILITY TO USE THIS PRODUCT, REGARDLESS OF THE LEGAL THEORY ON WHICH THE CLAIM IS BASED, AND EVEN IF FORNO HAS BEEN ADVISED OF THE POSSIBILITY OF SUCH DAMAGES. NOR SHALL RECOVERY OF ANY KIND AGAINST FORNO BE GREATER IN AMOUNT THAN THE PURCHASE PRICE OF THE PRODUCT SOLD BY FORNO AND CAUSING THE ALLEGED DAMAGE. WITHOUT PREJUDICE TO THE FOREGOING, PURCHASER ASSUMES ALL RISK AND LIABILITY FOR LOSS, DAMAGE OR INJURY TO PURCHASER AND PURCHASER'S PROPERTY AND TO OTHERS AND THEIR PROPERTY ARISING FROM THE USE, MISUSE, OR INABILITY TO USE THIS PRODUCT SOLD BY FORNO THAT IS NOT A DIRECT RESULT OF NEGLIGENCE ON THE PART OF FORNO THIS LIMITED WARRANTY SHALL NOT EXTEND TO ANYONE OTHER THAN THE ORIGINAL PURCHASER OF THIS PRODUCT, IS NON-TRANSFERABLE, AND STATES YOUR EXCLUSIVE REMEDY.

APPLIANCE SAFETY

Your safety and the safety of others are very important.

We have provided many important safety messages in this manual and on your appliance. Always read and obey all safety messages.



This is the Safety Alert Symbol. This symbol alerts you to potential hazards that can kill or injure you and others.

All safety messages will follow the Safety Alert Symbol and either the words "DANGER", "WARNING" or "CAUTION".



DANGER means that failure to heed this safety instruction may result in severe personal injury or death.



WARNING means that failure to heed this safety instruction may result in extensive product damage, serious personal injury, or death.



CAUTION means that failure to heed this safety statement may result in minor or moderate personal injury, or property or equipment damage.

All safety messages will alert you to what the potential hazard is, tell you how to reduce the chance of injury, and let you know what can happen if the instructions are not followed.



WARNING:

May cause cancer and reproductive harm

REFRIGERANT GAS WARNINGS

DANGER - Risk of fire or explosion. Flammable refrigerant used.
 DO NOT use mechanical devices to defrost refrigerator. DO NOT puncture refrigerant tubing.
 DANGER - Risk of fire or explosion. Flammable refrigerant used.
 To be repaired only by trained service personnel. DO NOT puncture refrigerant tubing.
 CAUTION - Risk of fire or explosion. Flammable refrigerant used.
 Consult repair manual / owner's guide before attempting to service this product.
 All safety precautions must be followed.
 CAUTION - Risk of fire or explosion. Dispose of property in accordance with federal or local regulations. Flammable refrigerant used.
 CAUTION - Risk of fire or explosion due to puncture of refrigerant tubing;
 Follow handling instructions carefully. Flammable refrigerant used.

Follow handling instructions carefully. Flammable refrigerant used.

IMPORTANT SAFEGUARDS



Before the beverage cooler is used, it must be properly positioned and installed as described in this manual, so read the manual carefully. To reduce the risk of fire, electrical shock or injury when using the beverage cooler, follow basic precautions, including the following:

! DANGER !

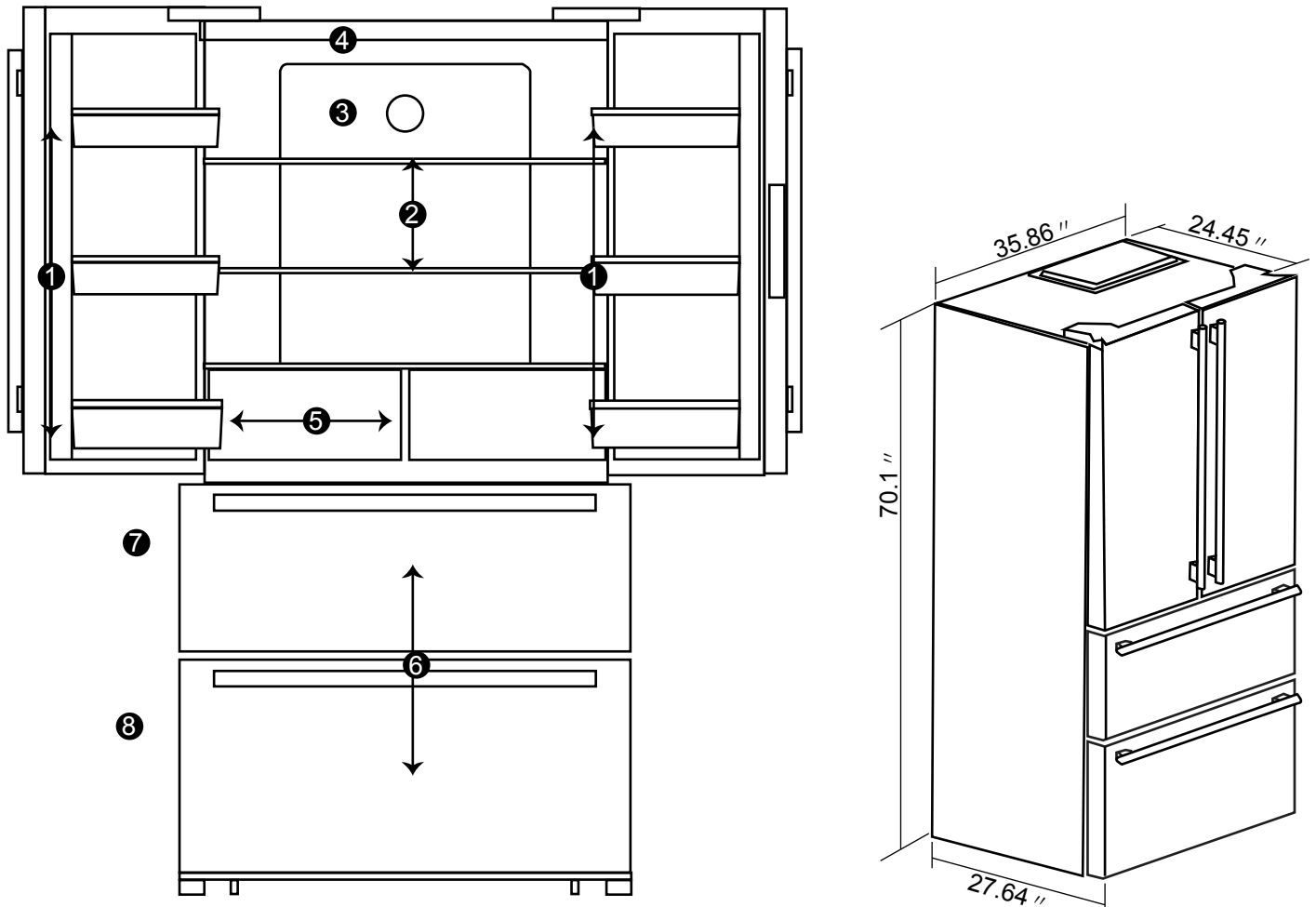
- Plug into a grounded 3-prong outlet, do not remove grounding prong, do not use an adapter, and do not use an extension cord.
- Reinstall all panels before operating.
- It is recommended that a separate circuit, powering only your beverage cooler, be provided. Use receptacles that cannot be turned off by a switch or pull chain.
- Never clean appliance parts with flammable fluids. These fumes can create a fire hazard or explosion. Do not store or use gasoline or other flammable vapours and liquids in the vicinity of this or any other appliance. The fumes can create a fire hazard or explosion.
- Before proceeding with cleaning and maintenance operations, make sure the unit's power cord is unplugged.
- Do not connect or disconnect the electric plug when your hands are wet.
- Unplug the appliance or disconnect the power before cleaning or servicing. Failure to do so can result in electrical shock or death.
- Do not attempt to repair or replace any part of your appliance unless it is specifically recommended in this material. All other servicing should be left to a qualified technician.

! WARNING !



- Use two or more people to move and install the appliance. Failure to do so can result in an injury to the back or other part of the body.
- To ensure proper ventilation for your appliance, the unit must be completely unobstructed. Choose a well-ventilated area with temperatures above 55°F (13°C) and below 90°F (32°C). This unit must be installed in an area protected from the elements, such as wind, rain, water spray or sunlight.
- The appliance should not be located next to ovens, grills or other sources of high heat.
- The appliance must be installed with all electrical, water and drain connections in accordance with state and local codes. A standard electrical supply (115 VAC only, 60 Hz), properly grounded in accordance with the National Electrical Code and local codes and ordinances is required.
- Do not kink or pinch the appliance's power supply cord.
- The fuse (or circuit breaker) size should be 15 amperes.
- It is important for the appliance to be leveled in order to work properly. You may need to make several adjustments to level it.
- All installations must be in accordance with local plumbing code requirements.
- Make sure that the pipes are not pinched or kinked or damaged during installation.
- Check for leaks after connection.
- Never allow children to operate, play with or crawl inside the appliance
- Do not use solvent-based cleaning agents or abrasives on the interior surface. These cleaners may damage or discolour the interior.
- Do not use this appliance for uses other than its intended purpose.

PARTS AND FEATURES



1	(6)Six Refrigerator Door Bins	5	(2)Two Vegetable Crispers with Glass Cover
2	(2)Two Refrigerator Shelves	6	(2)Two Freezer Drawers
3	(1)Refrigerator Light	7	(1)Ice maker Assembly Inside the Freezer Drawer
4	(1)Refrigerator LED Light	8	(1)Plastic Drawer Inside the Freezer Drawer

**** Note**

The section separator area contains a condensation-free heater and will be warm to the touch during the anti-condensation cycle to prevent condensation forming between the two sections.

IMPORTANT SAFETY INSTRUCTIONS

⚡ WARNING ⚡

To reduce the risk of fire, electrical shock, or injury when using your refrigerator-freezer, follow these basic precautions:

- Read all instructions before using the refrigerator-freezer.
- DANGER or WARNING:** Risk of child entrapment.
Child entrapment and suffocation are not problems of the past. Discarded or abandoned refrigerator-freezers are still dangerous... even if they will “just sit in the garage a few days.”
- Before you throw away your old refrigerator-freezer:** Take off the doors. Leave the shelves in place so that children may not easily climb inside.
- Never allow children to operate, play with, or crawl inside the refrigerator-freezer.
- Never clean refrigerator-freezer parts with flammable fluids. The fumes can create a fire hazard or explosion.
- Do not store or use gasoline or any other flammable vapours and liquids in the vicinity of this or any other refrigerator-freezer. The fumes can create a fire or explosion hazard.
- This appliance is not intended for use by persons (including children) with reduced physical, sensory or mental capabilities, or lack of experience and knowledge, unless they are being supervised or given instructions on the use of the appliance by a person who is responsible for their safety.
- Children should be supervised to ensure that they do not play with the appliance.
- If the power cord is damaged, it must be replaced by the manufacturer, its service agent or similar qualified person in order to avoid a hazard.
- Do not store explosive substances such as aerosol cans with a flammable propellant in this appliance.
- WARNING: Keep ventilation openings in the appliance enclosure or the built-in structure clear of obstruction.
- WARNING: Do not use mechanical devices or other means to accelerate the defrosting process, other than those recommended by the manufacturer.
- WARNING: Do not damage the refrigerant circuit.
- WARNING: Do not use electrical appliances inside the food storage compartments of the appliance, unless they are of the type recommended by the manufacturer.
- This appliance is intended to be used in household and similar applications such as staff kitchen areas in shops, offices and other work environments; farmhouses and by clients in hotels, motels and other hospitality environments; bed and breakfast type environments; catering and similar non-retail applications.

-Save these instructions-

INSTALLATION INSTRUCTIONS

➤ Before Using Your Appliance

- Remove the exterior and interior packaging.
- Check to be sure you have all the following parts:

1	(6)Six Refrigerator Door Bins	5	(2)Two Vegetable Crispers with Glass Cover
2	(2)Two Refrigerator Shelves	6	(2)Two Freezer Drawers
3	(1)Refrigerator Light	7	(1)Ice maker Assembly Inside the Freezer Drawer
4	(1)Refrigerator LED Light	8	(1)Plastic Drawer Inside the Freezer Drawer

- Before connecting the unit to the power source, let it stand upright for approximately 2 hours. This will reduce the possibility of a malfunction in the cooling system due to handling during transportation.
- Clean the interior surface with lukewarm water using a soft cloth.

➤ Installing Your Appliance

- Place your refrigerator-freezer on a floor that is strong enough to support the refrigerator- freezer when it is fully loaded. To level your refrigerator-freezer, adjust the leveling legs at the bottom of unit.

• ALLOW 3-5 INCHES OF SPACE BETWEEN THE BACK OF THE APPLIANCE AND THE WALL AS WELL AS A MINIMUM OF ½” (HALF INCH) AT EACH SIDE OF THE UNIT AND ONE (1) INCH AT THE TOP, WHICH ALLOWS PROPER AIR CIRCULATION TO COOL THE COMPRESSOR AND CONDENSER.

<u>Minimum Space Allowances</u>	
<u>Top</u>	<u>One (1) inch</u>
<u>Sides</u>	<u>Half (½) inch on each side</u>
<u>Back</u>	<u>Three to Five (3 - 5) inches at the back</u>

- Locate the unit away from direct sunlight and heat sources (stove, heater, radiator, etc.). Direct sunlight may affect the acrylic coating and heat sources may increase power consumption. Extreme cold room temperatures may also cause the refrigerator- freezer to not perform properly.
- Avoid placing the unit in a moist area.
- Plug the unit into an exclusive, properly-installed grounded wall outlet. Do not under any circumstances cut or remove the third (ground) prong from the power cord. Any questions concerning power and/or grounding should be directed to a certified electrician or an authorized FORNO Products service centre.

➤ Door alarm

※ The appliance is equipped with an automatic alarm which indicates that one of the doors of the appliance are opened for a longer period of time.

1. If one of the doors is opened for more than 1 minute,an acoustic warning signal sound.
2. If the door is opened for a prolonged period of time, the acoustic warning signal will sound three times every 30 seconds.

⚠ The door alarm can **also** be quitted **permanently** by closing the corresponding door.

⚠ In order to save energy a prolonged opening of the doors should be avoided.

Electrical Connection

⚡ Warning ⚡

Improper use of the grounded plug can result in an electrical shock hazard. If the power cord is damaged, have it replaced by an authorized FORNO Products service centre.

This appliance should be properly grounded for your safety. The power cord of this appliance is equipped with a three-prong plug, which mates with standard three prong wall outlets to minimize the chance of electrical shock.

Do not under any circumstances cut or remove the third (ground) prong from the supplied power cord.

This appliance requires a standard 115 Volt~/60Hz electrical outlet with three-prong ground plug.

The cord should be secured behind the appliance and not left exposed or dangling to prevent accidental injury.

Never unplug the appliance by pulling the power cord. Always grip the plug firmly and pull straight out from the receptacle.

Do not use an extension cord with this appliance. If the power cord is too short, have a qualified electrician or service technician install an outlet near the appliance.

EXTENSION CORD

Because of potential safety hazards under certain conditions, it is strongly recommended that you do not use an extension cord with this unit. However, if you must use an extension cord it is absolutely necessary that it be a UL/CUL-Listed, 3-wire grounded appliance-type extension cord with a ground plug and outlet, and that the electrical rating of the cord be 115 volts and at least 10 amperes.

SURGE PROTECTOR

Most electrical appliances use a series of electric control boards to operate. These boards are very susceptible to power surges and could be damaged or destroyed.

If the appliance is going to be used in an area or if your city / country is prone to power surges / outages; it is suggested that you use a power surge protector for all electrical devices / appliances you use. The surge protector that you select must have a surge block high enough to protect the appliance it is connected to. If you have any questions regarding the type and size of surge protector needed, contact a licensed electrician in your area.

Damages due to power surges are not considered a manufacturer covered defect and will void your product warranty.

Ice Maker

This ice maker works automatically (automatic water supply, automatic production and detaching of ice cubes), therefore there is no need to supply water manually. When the ice cube storage is full, the sensor rod will automatically send a signal to the machine to stop making ice.



- Do not place your hand into the mechanical part of the ice maker (above the ice making tray). Doing so may result in injury.
- To avoid electric shock, which can cause death or severe personal injury, disconnect the refrigerator from electrical power before connecting a water supply line to the refrigerator.



- The ice maker kit should be installed only by an authorized service technician.
- Connect the ice maker to a drinkable water supply only.
- DO NOT install water supply tubing in areas where temperatures fall below freezing.
- If the water supply is from a water softener, ensure that the softener is maintained and working properly. Chemicals from a malfunctioning softener can damage the ice maker.

➤ Tips

- If the ice maker will be turned off for a long period of time, turn the water supply valve to the closed position.
- Switch off the ice maker when cleaning the freezer or during short vacations.
- It takes approximately 24 hours for the ice maker to start producing normal ice cubes. Air in new plumbing lines may cause ice maker to cycle two or three times before making a full tray of ice. New plumbing may cause ice to be discoloured or to have poor flavour during the first 24 hours.

➤ Making Ice Cubes

- Make sure to disconnect the refrigerator from the electrical power supply before installing the water supply pipes properly according to the installation manual. Once the water supply is connected properly, connect the refrigerator to the electrical power supply.
- The ice maker is set to OFF by default. When needed, set it to ON according the instructional diagram on the machine's cover.
- The time needed to make ice will vary according to room temperature, water type, amount and temperature of the water inside the ice making tray, as well as the machine's status.
- The size of the ice cubes will vary according to the amount of water inside the ice storage box.
- The ice cubes will stick together or become smaller when storing for extended periods of time.
- Be careful not to injure your hand when breaking apart ice cubes that are stuck together.

Before Installing the Water Supply Line, You Will Need:

(WARNING: Connect to drinkable water supply only.)

Access to a household cold water line with water pressure between 30 and 100 psi (2 and 6.9 bar).

- A shutoff valve to connect the water supply line to your household water system.
DO NOT use a self-piercing type shutoff valve.

➤ To Connect Water Supply Line to Ice maker Inlet Valve

- Disconnect refrigerator from electrical power supply.
- Remove all installation accessories (water pipe, connector, washer, clip) from inside the refrigerator.
- Tighten all connections where they might leak, turn on the water supply at shutoff valve.
- Reconnect refrigerator to the electrical power supply.
- To turn the ice maker on, lower the signal wire arm. (Refer to the front cover of the ice maker for the arm's on/off positions).

Tips

The ice maker will work normally only when its sensor detects the environment temperature to reach -13°C .

When the first time the refrigerator is plugged-in, after 8-24 hours (depending on the amount of food stored in the refrigerator), the ice maker will start to work normally when it is at ON position. After the ice maker has been working for 72 hours, the storage tray will be full of ice-cube.

OPERATING YOUR APPLIANCE

Sabbath Mode

1. How to enter Sabbath mode:

when the freezer is open, press and hold the "Fridge" button + the "Lock" button for 10 seconds;

2. In Sabbath mode:

a. There is no door opening alarm;

b. The LED lights in both refrigerator and freezer compartment are off;

c. The display panel does not display unless it is adjusted manually ;

*In Sabbath mode, it will still display and emit light after touching the panel, but it will turn off after waiting for 20 seconds without operation or after opening and closing the door once.

d. The refrigerator meets the normal refrigeration demand;

3. How to exit Sabbath mode:

a. When the freezer is open, press and hold the "Fridge" button + the "Lock" button for 10 seconds to exit manually;

b. When the working period of Sabbath mode exceeds 80 hours, it will automatically exit.

OPERATING YOUR APPLIANCE



Default is Fahrenheit when power is on.

Press "MODE" button 5 seconds, to switch between °C and °F.

Other buttons use the same method to switch between two modes.

Set temperature range: Celsius degree mode

1. Fridge temperature range: 0~6°C (Default value 3°C)

2. Freezer temperature range: -23~-15°C (Default value -19°C)

Set temperature range: Fahrenheit degree mode

1. Fridge temperature range: 32~43°F (Default value 38°F)

2. Freezer temperature range: -10~5°F (Default value -2°F)

CONTROL PANEL – CHILD LOCK

The CONTROL PANEL LOCK is designed to prevent any changes to the settings to the refrigerator.

To enable the CHILD LOCK, press the LOCK button, the CHILD LOCK icon will turn on.

The control panel will be locked until unlocked at the control panel or there is a loss of power.

To disable the CHILD LOCK, press and hold the lock button for approximately 3 seconds until the LOCK icon turns off and the control panel is working in normal operation mode.

CONTROL PANEL – STANDBY

The CONTROL PANEL will go dark after approximately 20 seconds of no activity.

To reactivate the display, simply press any of the buttons on the control panel.

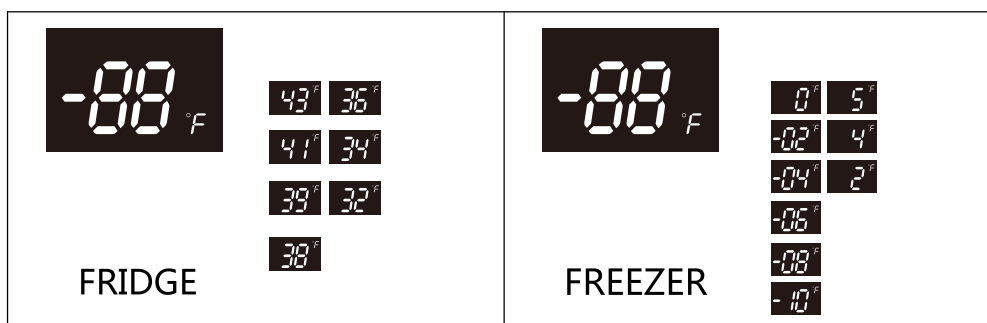
➤ **Setting the Temperature Control**

• Your unit has one control for regulating the temperature. The temperature control is located on the outside of the refrigerator compartment door.

• The first time you turn the unit on, the unit will start at the factory-set default temperature, which is 38°F in the refrigerator compartment and -2°F in the freezer compartment.

• The first time you turn the unit on, adjust the temperature in the refrigerator compartment to 34°F and run for at least 4 hours before placing food inside. This will ensure that the freezer compartment is thoroughly chilled and the refrigerator compartment is stabilized before food is placed inside. Then adjust the temperature setting to your desired setting.

• To adjust the temperature in each zone, press the appropriate zone button, and the selected zone will flash on and off. The temperature will change according to the pre-set temperatures as shown below. You will hear a bell chime with each press of the control panel buttons.



PRE-PROGRAMMED FUNCTIONS:

• **FAST FREEZE MODE**



This mode will set the freezer temperature to -10°F for a quick drop in temperature when storing large amounts of warm or room-temperature foods in the freezer. The unit will remain in FAST FREEZE mode for 24 hours or until the temperature reaches -10°F and will then return to the original setting, or until the function is turned off at the control panel. FAST COOL and FAST FREEZE can be run simultaneously.

To enable the FAST FREEZE mode, press the feature button until the FAST FREEZE icon is illuminated. The icon will remain illuminated when activated.

To disable the FAST FREEZE mode, press the function button until the FAST FREEZE icon is turned off.

• **FAST COOL MODE**



This mode will set the refrigerator temperature to 32°F for quick drop in temperature when storing large amounts of warm or room temperature foods in the refrigerator. The unit will remain in FAST COOL mode for 2 hours and 30 minutes or until the temperature reaches 32°F and will then return to the original setting, or until the function is turned off at the control panel. Both FAST COOL and FAST FREEZE can be run together at the same time.

To enable the FAST COOL mode, press the feature button until the FAST COOL icon is illuminated. The icon will remain illuminated when activated.

To disable the FAST COOL mode, press the function button until the FAST COOL icon is turned off.

• **VACATION MODE**



Use this mode when leaving for long periods of time, where you will remove the large majority of the refrigerator contents but leave contents in the freezer.

Vacation mode will automatically set the refrigerator section to 43°F and the freezer section to 5°F. The unit will remain in VACATION MODE until the feature is deactivated at the control panel.

To enable VACATION mode, press the feature button until the VACATION icon is illuminated. The icon will remain illuminated when activated.

To disable VACATION mode, press the function button until the VACATION icon is turned off.

NOTE:

- **IF THE UNIT IS UNPLUGGED, HAS LOST POWER, OR IT IS TURNED OFF. YOU MUST WAIT 3 TO 5 MINUTES BEFORE RESTARTING THE UNIT. IF YOU ATTEMPT TO RESTART BEFORE THIS TIME DELAY, THE REFRIGERATOR-FREEZER WILL NOT START.**

NOTE:

WE DO NOT RECOMMEND INSTALLING THE REFRIGERATOR WHERE THE TEMPERATURE WILL DROP BELOW 32°F (0°C) OR RISE ABOVE 110°F (43°C). THE COMPRESSOR WILL NOT BE ABLE TO MAINTAIN PROPER TEMPERATURES INSIDE THE REFRIGERATOR.

FOR INSTALLATIONS WHERE THE TEMPERATURES WILL DROP BELOW 32°, SET THE FREEZER TEMPERATURE CONTROL TO THE “COLDEST” SETTING. THIS WILL IMPROVE THE FUNCTIONING THE REFRIGERATOR UNDER THESE CONDITIONS.

CARE AND MAINTENANCE

➤ **Cleaning Your Appliance**

- Unplug the unit and remove the food and bins.
- Wash the inside with a warm water and baking soda solution. The solution should be about 2 tablespoons of baking soda to a quart of water.
- Wash the bins with a mild detergent solution.
- The outside of the unit should be cleaned with mild detergent and warm water.

CAUTION

Failure to unplug the refrigerator-freezer could result in electrical shock or personal injury.

➤ **Power Failure**

- Most power failures are corrected within a few hours and should not affect the temperature of your refrigerator-freezer if you minimize the number of times the door is opened. If the power is going to be off for a longer period of time, you need to take the proper steps to protect your food.

➤ **Vacation Time**

Short vacations: Leave the unit operating during vacations lasting less than three weeks.

Long vacations: If the appliance will not be used for several months, remove all food and unplug the power cord. Clean and dry the interior thoroughly. To prevent odour and mold growth, leave the door open slightly, wedging it open if necessary.

➤ **Moving Your Appliance**

- Remove all food inside the appliance.
- Securely tape down all loose items inside the unit.
- Turn the leveling screws up to the base to avoid damage.
- Tape the door shut.
- Be sure the unit stays in the upright position during transportation.

➤ **Energy Saving Tips**

- The unit should be located in the coolest area of the room, away from heat-producing appliances or heating ducts, and out of direct sunlight.
- Let hot foods cool to room temperature before placing them in the unit. Overloading the unit forces the compressor to run longer. Foods that freeze too slowly may lose quality or spoil.
- Be sure to wrap foods properly, and wipe containers dry before placing them in the unit. This cuts down on frost build-up inside the freezer.
- Organize and label food to reduce the frequency of door openings and extended searches for items inside the unit. Remove as many items as needed at one time and close the door as soon as possible.

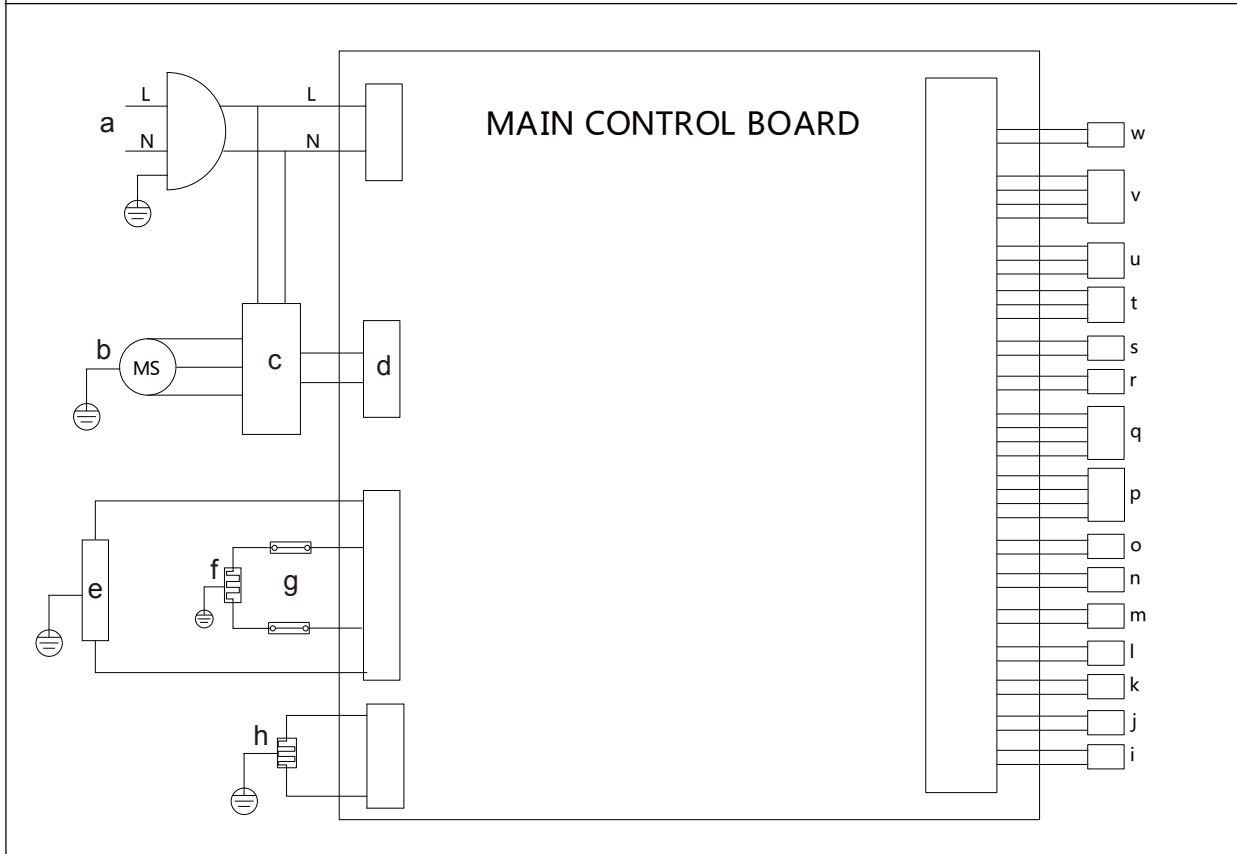
➤ PROBLEMS WITH YOUR APPLIANCE?

You can solve many common refrigerator-freezer problems easily, saving you the cost of a possible service call. Try the suggestions below to see if you can solve the problem before calling for service.

TROUBLESHOOTING GUIDE

PROBLEM	POSSIBLE CAUSE
Unit does not operate.	Not plugged in. The circuit breaker tripped or there is a blown fuse.
Compressor turns on and off frequently.	The room temperature is hotter than normal. A large amount of food has been added to the refrigerator - freezer. The door is being opened too often. The door is not closed completely. The temperature control is not set correctly. The door gasket does not seal properly. The refrigerator-freezer does not have the correct clearances.
Vibrations.	Check to make sure that the refrigerator-freezer is level.
The unit seems to make too much noise.	The rattling noise may come from the flow of refrigerant, which is normal. As each cycle ends, you may hear gurgling sounds caused by the flow of refrigerant in your refrigerator - freezer. Contraction and expansion of the inside walls may cause popping and crackling noises. The unit is not level.
The door will not close properly.	The unit is not level. The door is reversed and not properly installed. The gasket is dirty. The bins are out alignment.
Section separator seems to be warm to the touch.	This is normal. The section separator area contains an anti-condensation heater and will be warm to the touch during the anti-condensation cycle to prevent condensation forming between the two sections.

WIRING DIAGRAM

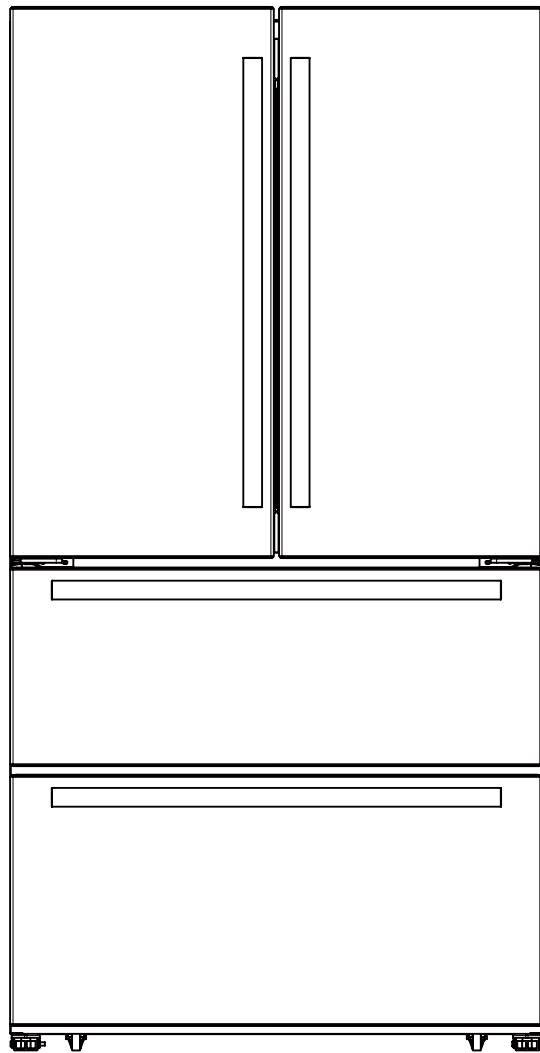


a	POWER PLUG	i	DOWN F-DOOR SWITCH	q	DISPIAY BOARD
b	COMPRESSOR	j	UP F-DOOR SWITCH	r	FREEZER LIGHT
c	FREQUENCY CONVERTER	k	RIGHT R-DOOR SWITCH	s	REFRIGERATOR LIGHT
d	SIGNAL	l	LEFT R-DOOR SWITCH	t	FREEZER FAN
e	ICE-MAKER ASSEMBLY	m	DEFROST SENSOR	u	CONDENSER FAN
f	DEFROST HEATER	n	FREEZER SENSOR	v	STEPPING MOTOR
g	PROTECTOR	o	REFRIGERATOR SENSOR	w	WATER PIPE HEATER
h	FLIP BEAM HEATING WIRE	p	TEMP. AND HUMIDITY SENSOR		



FORNO

Alta Qualita



FFRBI1820-36S
FFRBI1820-36SB

**Réfrigérateur-congélateur à portes françaises de 36 po, 19,3 pi3,
avec machine à glaçons**

**AVANT UTILISATION, VEUILLEZ LIRE ET SUIVRE TOUTES LES RÈGLES DE SÉCURITÉ ET
LES INSTRUCTIONS D'UTILISATION.**

TABLE DES MATIÈRES

Service à la clientèle	21
Sécurité de l'appareil	24
Consignes de sécurité importantes	25
Pièces et caractéristiques	26
Consignes de sécurité importantes	27
Instructions d'installation	28
Connexion électrique	29
Machine à glaçons	30-31
Utilisation de votre appareil	31-33
Nettoyage et entretien	34
Nettoyage de votre appareil	34
Panne de courant / Périodes de vacances / Déplacement de votre appareil	34
Conseils d'économie d'énergie	34
Guide de dépannage	35
Diagramme de câblage	36



AVERTISSEMENT: Ce produit peut vous exposer à des agents chimiques, y compris [Plomb, Composés de plomb et de plomb, Bisphénol A], identifiés par l'État de Californie comme pouvant causer le cancer et des malformations congénitales ou autres effets nocifs sur la reproduction. Pour de plus amples informations, prière de consulter www.P65Warnings.ca.gov.

SERVICE À LA CLIENTÈLE

Merci d'avoir acheté un produit **FORNO**. Veuillez lire le manuel d'utilisation en entier avant la première utilisation. Que vous soyez un utilisateur occasionnel ou averti, vous aurez avantage à vous familiariser avec les mesures de sécurité, les caractéristiques, le fonctionnement et les recommandations d'entretien et de nettoyage de votre appareil.

Le numéro de modèle et le numéro de série sont indiqués à l'intérieur de l'appareil. Pour fins de garantie, vous aurez besoin du numéro de série, de la date d'achat et d'une copie de votre preuve d'achat. Notez l'information ci-dessous pour référence ultérieure.

INFORMATION À FOURNIR POUR TOUTE RÉPARATION

Numéro de modèle :

Utilisez ces numéros pour toute correspondance ou pour tout appel au service des réparations concernant votre appareil.

Numéro de série :

Si vous avez reçu un appareil endommagé, communiquez immédiatement **FORNO**.

Date d'achat :

Économisez temps et argent. Avant tout appel de réparation, vérifiez le guide de dépannage. Vous y trouverez une liste des causes de problèmes mineurs que vous pouvez réparer vous-même.

Adresse et numéro de téléphone où l'appareil a été acheté :

POUR UNE RÉPARATION AU CANADA & AUX ÉTATS-UNIS :

Conservez ce manuel d'instruction à portée de main si vous avez des doutes. Vous pouvez retrouver tous les infomation en ligne www.forno.ca.

Pour plus de précision ou si vous avez besoin d'aide, veuillez communiquer avec notre service à la clientèle à : info@forno.ca

En cas de problème, veuillez contacter le service client FORNO. Veuillez noter que le "*troubleshooting*" avec un représentant du service à la clientèle sera nécessaire avant de pouvoir envoyer un technicien. Tous les travaux sous garantie doivent être autorisés par le service client FORNO. Tous nos prestataires de services agréés sont soigneusement sélectionnés et rigoureusement formés par FORNO.

GARANTIE

Ce que couvre cette garantie limitée :

La couverture de garantie fournie par Forno dans cette déclaration s'applique exclusivement à l'appareil ("Produit") vendu au consommateur ("Acheteur") par un revendeur/distributeur/détaillant agréé Forno, acheté et installé aux États-Unis ou au Canada, et qui est toujours resté dans l'original pays d'achat (États-Unis ou Canada). La couverture de la garantie est activée à la date de l'achat au détail original et a une durée de deux(2) ans.

La couverture de la garantie n'est pas transférable. En cas de remplacement de pièces ou de l'ensemble du produit, le produit (ou les pièces) de remplacement assumera le reste de la garantie d'origine activée avec la preuve d'achat d'origine. Cette garantie ne sera pas prolongée en ce qui concerne un tel remplacement. Forno réparera ou remplacera toute composante/pièce qui tombe en panne ou s'avère défectueuse en raison de matériaux et/ou de fabrication dans les 2 ans suivant la date de l'achat initial au détail et dans des conditions d'habitation ordinaire, usage non commercial. La réparation ou le remplacement sera gratuit, y compris la main-d'œuvre aux tarifs standard et l'expédition dépenses. L'acheteur est responsable de rendre le produit raisonnablement accessible pour le service. Service de réparation doit être effectuée par une société de service agréée Forno pendant les heures normales de travail.

IMPORTANT

Conservez la preuve d'achat originale pour établir la période de garantie. La responsabilité de Forno pour toute réclamation de quelque nature que ce soit, avec en ce qui concerne les biens et/ou services fournis, ne doit en aucun cas dépasser la valeur des biens ou services ou de la partie qui a donné lieu à la réclamation.

Garantie cosmétique de 30 jours

L'Acheteur doit inspecter le produit au moment de la livraison. Forno garantit que le produit est exempté de défauts de fabrication dans les matériaux et la fabrication pendant une période de trente (30) jours à compter de la date de vente au détail d'origine l'achat du Produit.

Cette couverture comprend :

- Taches de peinture
- Écorchures
- Défauts de finition macroscopiques

La garantie cosmétique ne couvre PAS :

Problèmes résultant d'un transport, d'une manipulation et/ou d'une installation incorrecte (par exemple : bosses, cassés, déformés ou structures déformés ou composants, composants en verre fissurés ou autrement endommagés) ;

Légères variations de couleur sur les composants peints/émaillés ;

Les différences causées par l'éclairage naturel ou artificiel, l'emplacement ou d'autres facteurs analogues ;

Taches/corrosion/décoloration causées par des substances externes et/ou des facteurs environnementaux ;

Coûts de main-d'œuvre, présentoir, plancher, stock B, appareils prêts à l'emploi, « tels quels » et unités de démonstration.

Comment recevoir le service

Pour bénéficier des services de garantie, l'acheteur doit contacter le service d'assistance de Forno afin de déterminer le problème et les procédures de service requises. Le « Troubleshooting » avec un représentant du service à la clientèle sera nécessaire avant d'aller de l'avant avec le service. Numéro de modèle, numéro de série et date de vente au détail d'origine l'achat sera demandé.

Exclusions de garantie : Ce qui n'est pas couvert

> L'utilisation du produit dans tout lieu non résidentiel, application commerciale. Utilisation du Produit pour autre chose que son but visé.

> Services de réparation fournis par toute personne autre qu'un Agence de service autorisée Forno.

> Services de dommages ou de réparation pour corriger les services fournis par des parties non autorisées ou l'utilisation de pièces non autorisées.

> Installation non conforme codes d'incendie locaux/état/ville/comté, codes électriques, gaz codes, codes de plomberie, codes du bâtiment, lois ou règlements.

> Défauts ou dommages dus à un stockage inapproprié du Produit.

> Défauts, dommages ou pièces manquantes sur les produits vendus hors de l'emballage d'origine ou des présentoirs. Appels de service ou réparations pour corriger une erreur l'installation du Produit et/ou des accessoires associés.

> Remplacement des pièces/appels de service pour se connecter, convertir ou autrement réparer le câblage électrique et/ou conduite de gaz afin d'utiliser correctement le produit.

> Remplacement des pièces/appels de service à fournir instructions et informations sur l'utilisation du Produit.

> Remplacement des pièces/appels de service pour corriger les problèmes résultant de l'utilisation du produit d'une manière autre que ce qui est normal et habituel pour un usage résidentiel.

> Remplacement des pièces/appels de service en raison de l'usure et déchirure de composants tels que joints, boutons, casserole supports, étagères, paniers à couverts, boutons, tactiles présentoirs, plateaux en vitrocéramique rayés ou cassés.

> Remplacement de pièces/appels de service en cas de manque de/mauvais entretien, y compris, mais sans s'y limiter : accumulation de résidus, taches, rayures, décoloration, corrosion.

> Défauts et dommages résultant d'accidents, altération, mauvaise utilisation, abus ou mauvaise installation.

> Défauts et dommages résultant du Produit transport, logistique et manutention. Inspection du produit doit être fait au moment de la livraison. Suivant réception et inspection, le concessionnaire vendeur/la livraison l'entreprise doit être informée de tout problème découlant de manutention, transport et logistique.

> Défauts et dommages résultant de forces externes hors du contrôle de Forno, y compris mais non limité au vent, à la pluie, au sable, aux incendies, aux inondations, aux coulées de boue, des températures glaciales, une humidité excessive ou exposition prolongée à l'humidité, aux surtensions, la foudre, les défaillances structurelles entourant l'appareil et d'autres actes de Dieu.

> Produits dont le numéro de série a été altéré/endommagé. En aucun cas Forno est tenu responsable des dommages causés à propriété environnante, y compris les meubles, les armoires, revêtements de sol, panneaux et autres structures entourant le Produit. Forno n'est pas tenu responsable des Produits s'il est situé dans une zone éloignée ou une zone où les techniciens formés certifiés ne sont pas raisonnablement disponibles. L'acheteur doit supporter tout transport et les frais de livraison du Produit jusqu'au centre de service autorisé ou les frais de déplacement supplémentaires d'un technicien certifié.

IL N'EXISTE AUCUNE GARANTIE EXPRESSE AUTRE QUE CELLES ÉNUMÉRÉES ET DÉCRITES CI-DESSUS, ET AUCUNE GARANTIES, EXPRESSES OU IMPLICITES, Y COMPRIS, MAIS SANS S'Y LIMITER, TOUTE GARANTIE IMPLICITE GARANTIES DE QUALITÉ MARCHANDE OU D'ADÉQUATION À UN USAGE PARTICULIER QUI S'APPLIQUERONT APRÈS LES PÉRIODES DE GARANTIE EXPRESSE INDIQUÉES CI-DESSUS, ET AUCUNE AUTRE GARANTIE EXPRESSE OU GARANTIE DONNÉE PAR TOUTE PERSONNE, ENTREPRISE OU SOCIÉTÉ CONCERNANT CE PRODUIT SERA OBLIGATOIRE POUR FORNO. FORNO NE SERA PAS RESPONSABLE DE LA PERTE DE REVENUS OU DE PROFITS, DÉFAUT DE RÉALISER DES ÉCONOMIES OU D'AUTRES AVANTAGES, TEMPS D'ABSENCE DU TRAVAIL, REPAS, PERTE DE NOURRITURE OU BOISSONS, FRAIS DE VOYAGE OU D'HOTEL, FRAIS DE LOCATION OU D'ACHAT D'APPAREILS, DÉPENSES DE REMODELAGE/CONSTRUCTION SUPÉRIEURES AUX DOMMAGES DIRECTS INDÉNIABLES CAUSÉ EXCLUSIVEMENT PAR FORNO OU TOUT AUTRE SPÉCIAL, ACCESSOIRE OU CONSÉCUTIF LES DOMMAGES CAUSÉS PAR L'UTILISATION, LA MAUVAISE UTILISATION OU L'INCAPACITÉ D'UTILISER CE PRODUIT, INDÉPENDAMMENT DU THÉORIE JURIDIQUE SUR LAQUELLE LA RÉCLAMATION EST BASÉE, ET MÊME SI FORNO A ÉTÉ AVISÉ DE LA POSSIBILITÉ DE TELS DOMMAGES. DE PLUS, LA RÉCUPÉRATION DE QUELQUE NATURE QUE CE SOIT CONTRE FORNO NE SERA PLUS GRANDE D'UN MONTANT QUE LE PRIX D'ACHAT DU PRODUIT VENDU PAR FORNO ET CAUSANT LE DOMMAGES ALLÉGUÉS. SANS PRÉJUDICE DE CE QUI PRÉCÈDE, L'ACHETEUR ASSUME TOUS LES RISQUES ET RESPONSABILITÉ POUR PERTE, DOMMAGE OU BLESSURE À L'ACHETEUR ET À LA PROPRIÉTÉ DE L'ACHETEUR ET À AUTRES ET LEURS PROPRIÉTÉS DÉCOULANT DE L'UTILISATION, DE LA MAUVAISE UTILISATION OU DE L'INCAPACITÉ À UTILISER CE PRODUIT VENDU PAR FORNO QUI N'EST PAS LE RÉSULTAT DIRECT D'UNE NÉGLIGENCE DE LA PART DE FORNO LA GARANTIE LIMITÉE NE S'ÉTENDRA À PERSONNE AUTRE QUE L'ACHETEUR INITIAL DE CE PRODUIT N'EST PAS TRANSFÉRABLE ET ÉNONCE VOTRE RECOURS EXCLUSIF.

SÉCURITÉ DE L'APPAREIL

Votre sécurité et celle des autres sont très importantes pour nous.

Nous avons fourni de nombreux messages de sécurité importants dans ce manuel et sur votre appareil. Toujours lire et suivre les consignes de sécurité.



Symbole d'alerte de sécurité. Ce symbole vous alerte sur les dangers potentiels pouvant vous tuer et blesser d'autres personnes.

Tous les messages de sécurité suivront le Symbole d'alerte de sécurité et les mots « DANGER », « AVERTISSEMENT » ou « MISE EN GARDE ».



Le symbole « Danger » signifie que le non-respect de cette consigne peut causer de graves blessures corporelles ou entraîner la mort.



Le symbole « Avertissement » signifie que le non-respect de cette consigne de sécurité peut entraîner de sérieux dommages au produit, des blessures graves ou la mort.



Le symbole MISE EN GARDE signifie que le non-respect de cette consigne de sécurité peut entraîner des blessures mineures ou modérées ou des dommages matériels.

Tous les messages de sécurité vous alerteront sur les dangers potentiels, en vous informant sur la manière de réduire les risques de blessures et sur ce qui peut arriver si les consignes ne sont pas respectées.



AVERTISSEMENT:

Produit cancérigène et responsable de troubles liés à la reproduction

AVERTISSEMENTS RELATIFS AU GAZ RÉFRIGÉRANT

DANGER Risque d'incendie ou d'explosion. Frigorigène inflammable utilisé. Ne pas utiliser d'appareils mécaniques pour dégivrer le réfrigérateur. Ne pas perforer la conduite de frigorigène.

DANGER Risque d'incendie ou d'explosion. Frigorigène inflammable utilisé. La réparation doit être faite seulement par un personnel qualifié. Ne pas perforer la conduite de frigorigène.

ATTENTION Risque d'incendie ou d'explosion. Frigorigène inflammable utilisé. Consulter le manuel de réparation/manuel du propriétaire avant d'entreprendre l'entretien de ce produit. Toutes les mesures de sécurité doivent être respectées.

ATTENTION Risque d'incendie ou d'explosion. Éliminer convenablement conformément à la réglementation fédérale ou locale Frigorigène inflammable utilisé.

ATTENTION La perforation de la conduite de frigorigène peut entraîner un incendie ou une explosion. Suivre avec soin les instructions fournies. Frigorigène inflammable utilisé.

DANGER Risque d'incendie ou d'explosion. Frigorigène inflammable utilisé. Ne pas utiliser d'appareils mécaniques pour dégivrer le réfrigérateur. Ne pas perforer la conduite de frigorigène.

DANGER Risque d'incendie ou d'explosion. Frigorigène inflammable utilisé. La réparation doit être faite seulement par un personnel qualifié. Ne pas perforer la conduite de frigorigène.

ATTENTION Risque d'incendie ou d'explosion. Frigorigène inflammable utilisé. Consulter le manuel de réparation/manuel du propriétaire avant d'entreprendre l'entretien de ce produit. Toutes les mesures de sécurité doivent être respectées.

ATTENTION Risque d'incendie ou d'explosion. Éliminer convenablement conformément à la réglementation fédérale ou locale Frigorigène inflammable utilisé.

ATTENTION La perforation de la conduite de frigorigène peut entraîner un incendie ou une explosion. Suivre avec soin les instructions fournies. Frigorigène inflammable utilisé.

CONSIGNES DE SÉCURITÉ IMPORTANTES



Lire attentivement le présent manuel et installer et positionner correctement l'appareil avant d'utiliser le refroidisseur de boissons. Pour réduire les risques d'incendie, d'électrocution ou de blessures lors de l'utilisation du refroidisseur de boissons, suivez ces précautions de base :

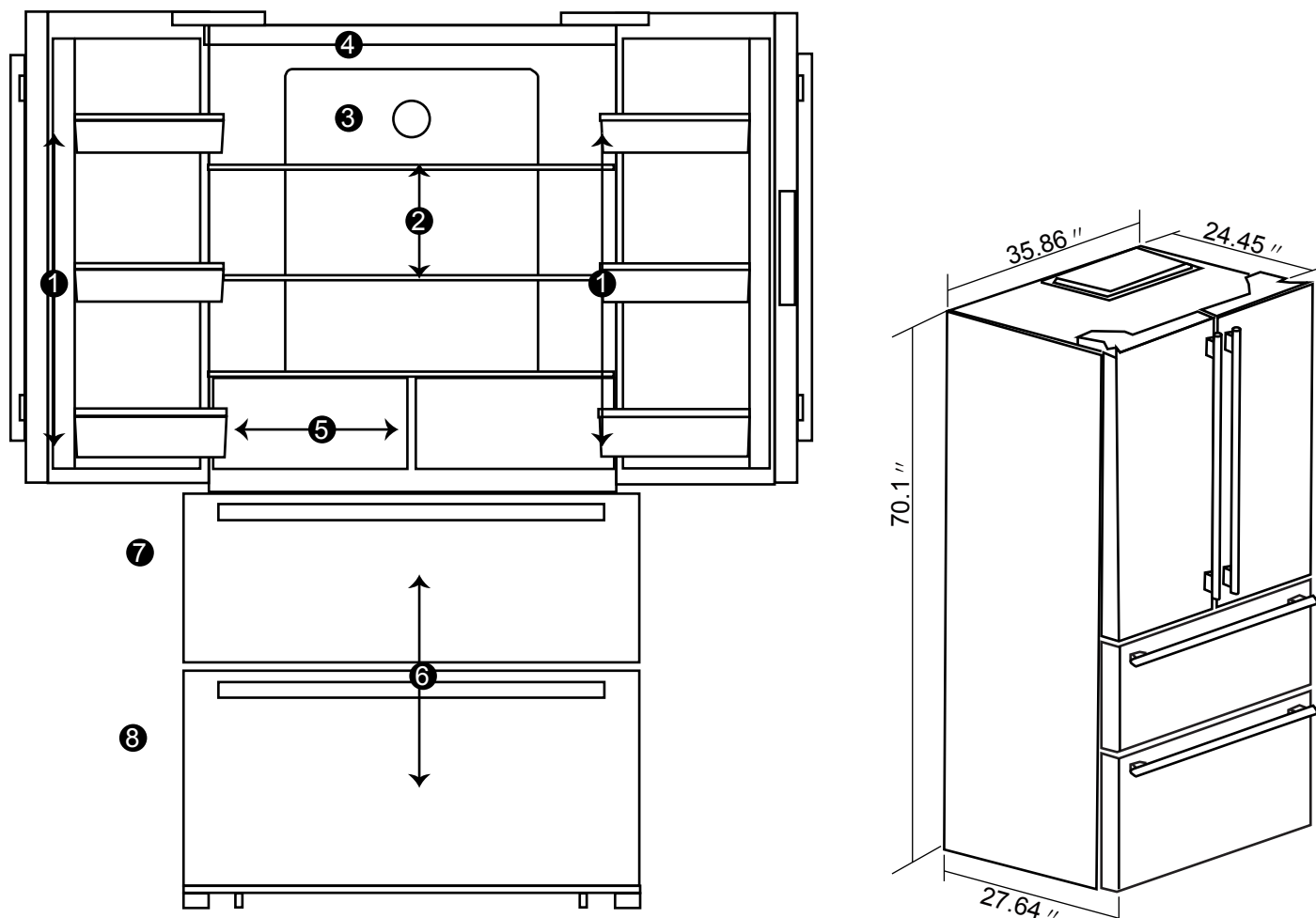
! DANGER !

- Brancher sur une prise à 3 broches mise à la terre; ne pas retirer la broche de mise à la terre; ne pas utiliser d'adaptateur et ne pas utiliser de rallonge.
- Remplacer tous les panneaux avant la mise en marche.
- Il est recommandé d'utiliser un circuit distinct et réservé au refroidisseur de boissons uniquement. Utiliser des prises qui ne peuvent pas être désactivées par un commutateur ou interrupteur à tirage.
- Ne jamais nettoyer les pièces de l'appareil avec des liquides inflammables. Les émanations peuvent provoquer un risque d'incendie ou d'explosion. Ne pas ranger ou utiliser de l'essence ou d'autres vapeurs et liquides inflammables à proximité de cet appareil ou de tout autre appareil. Les émanations peuvent provoquer un risque d'incendie ou d'explosion.
- Avant de procéder aux opérations de nettoyage et d'entretien, assurez-vous que la ligne d'alimentation électrique de l'appareil est débranchée.
- Ne pas brancher ou débrancher la prise électrique avec les mains mouillées.
- Débrancher l'appareil ou couper le courant avant le nettoyage ou l'entretien. Le non-respect de cette consigne peut entraîner une décharge électrique ou la mort.
- Ne pas tenter de réparer ou de remplacer une partie de votre appareil à moins qu'il ne soit spécifiquement recommandé de le faire dans ce manuel. Toutes les autres réparations doivent être confiées à un technicien qualifié.

! AVERTISSEMENT !

- Il faut deux personnes ou plus pour déplacer et installer le réfrigérateur. Le non-respect de cette consigne peut causer des blessures au dos ou autres.
- Pour assurer une ventilation appropriée de votre appareil, il doit être complètement dégagé. Choisissez un endroit bien aéré avec des températures supérieures à 55 °F (13 °C) et en dessous de 90 °F (32 °C). Cet appareil doit être installé dans une zone protégée des éléments, tels que le vent, la pluie, les gouttelettes d'eau ou la lumière du soleil.
- L'appareil ne doit pas être situé à proximité de fours, grilles ou d'autres sources de chaleur intense.
- Cet appareil doit être installé avec tous les raccordements d'électricité, d'arrivée d'eau et de vidange conformément aux codes régionaux et locaux. Une alimentation électrique standard (115 V CA seulement, 60Hz), correctement mise à la terre conformément au Code national de l'électricité et aux codes et ordonnances locaux est requise.
- Ne pliez pas et ne pincez pas le cordon d'alimentation de l'appareil.
- La taille du fusible (ou du disjoncteur) doit être de 15 ampères.
- Il est important que l'appareil soit mis à niveau pour fonctionner correctement. Vous devrez peut-être faire plusieurs ajustements pour le niveler.
- Toutes les installations doivent être effectuées conformément aux exigences des codes locaux de plomberie.
- Assurez-vous que les tuyaux ne sont pas pincés, pliés ou endommagés lors de l'installation.
- Vérifiez les fuites après le raccordement.
- Ne laissez jamais les enfants utiliser, jouer ou grimper à l'intérieur de l'appareil.
- N'utilisez pas de produits de nettoyage à base de solvants ni d'abrasifs à l'intérieur. Ces nettoyeurs peuvent endommager ou décolorer l'intérieur.
- Ne pas utiliser cet appareil à des fins autres que celles prévues.

PIÈCES ET CARACTÉRISTIQUES



1	(6) Six paniers de porte de réfrigérateur	5	(2) Deux bacs à légumes avec couvercle en verre
2	(2) Deux tablettes de réfrigérateur	6	(2) Deux tiroirs de congélateur
3	(1) Ampoule du réfrigérateur	7	(1) Assemblage de la machine à glaçons à l'intérieur du tiroir
4	(1) Ampoule DEL du réfrigérateur	8	(1) Tiroir en plastique à l'intérieur du tiroir

** Remarque

La zone du séparateur de sections contient un dispositif de chauffage anti-condensation et sera chaude au toucher lors du cycle d'anti-condensation pour éviter la formation de condensation entre les deux sections.

CONSIGNES DE SÉCURITÉ IMPORTANTES

<p>⚡ AVERTISSEMENT ⚡</p>	<p>Pour réduire le risque d'incendie, de choc électrique ou de blessure lors de l'utilisation de votre réfrigérateur - congélateur, suivez ces précautions de base:</p>
<ul style="list-style-type: none"> • Lisez toutes les instructions avant d'utiliser le réfrigérateur-congélateur. • DANGER ou AVERTISSEMENT: Risque d'enfermer les enfants. • Le piégeage et la suffocation des enfants ne sont pas des problèmes du passé. Les réfrigérateurs-congélateurs jetés ou abandonnés sont toujours dangereux. . . même s'ils "resteront assis dans le garage quelques jours". • Avant de jeter votre vieux réfrigérateur ou congélateur : <ul style="list-style-type: none"> - Retirez les portes. - Laissez les tablettes en place de façon à empêcher l'accès aux enfants. • Ne laissez jamais les enfants utiliser, jouer ou ramper à l'intérieur du réfrigérateur-congélateur. • Ne nettoyez jamais les pièces du réfrigérateur-congélateur avec des liquides inflammables. • Les fumées peuvent créer un risque d'incendie ou d'explosion. • Ne stockez pas et n'utilisez pas d'essence ou d'autres produits inflammables à proximité de votre réfrigérateur ou de tout autre réfrigérateur-congélateur. Les fumées peuvent créer un risque d'incendie ou d'explosion. • Cet appareil n'est pas destiné à être utilisé par des personnes (y compris des enfants) ayant des capacités physiques, sensorielles ou mentales réduites, ou un manque d'expérience et de connaissances, sauf si elles ont reçu une supervision ou des instructions concernant l'utilisation de l'appareil par une personne responsable de leur sécurité. • Les enfants doivent être surveillés pour s'assurer qu'ils ne jouent pas avec l'appareil. • Si le cordon d'alimentation est endommagé, il doit être remplacé par le fabricant, son agent de service ou une personne qualifiée similaire afin d'éviter tout danger. • Ne stockez pas de substances explosives telles que des bombes aérosols avec un propulseur inflammable dans cet appareil. • AVERTISSEMENT Les prises d'air de l'enceinte de l'appareil ou de la structure encastrée doivent être dégagées en tout temps. • AVERTISSEMENT Ne pas utiliser d'appareils mécaniques ou autres moyens pour accélérer le dégivrage que ceux recommandés par le fabricant. • AVERTISSEMENT Ne pas endommager le circuit frigorigène. • AVERTISSEMENT Ne pas utiliser d'appareils électriques à l'intérieur du compartiment de conservation des aliments de cet appareil, sauf s'ils sont du type recommandé par le fabricant. • Cet appareil est destiné à être utilisé dans des applications domestiques et similaires comme zones de cuisine du personnel dans les magasins, bureaux et autres environnements de travail; maisons de ferme et par les clients dans les hôtels, motels et autres environnements de type résidentiel; environnements de type chambre d'hôtes; restauration et applications similaires non commerciales. <p style="text-align: center;">-Enregistrez ces instructions-</p>	

INSTRUCTIONS D'INSTALLATION

➤ Avant d'utiliser votre appareil

- Retirez tout le matériel d'emballage intérieur et extérieur.
- Vérifiez qu'il ne vous manque aucune pièce :

1	(6) Six paniers de porte de réfrigérateur	5	(2) Deux bacs à légumes avec couvercle en verre
2	(2) Deux tablettes de réfrigérateur	6	(2) Deux tiroirs de congélateur
3	(1) Ampoule du réfrigérateur	7	(1) Assemblage de la machine à glaçons à l'intérieur du tiroir
4	(1) Ampoule DEL du réfrigérateur	8	(1) Tiroir en plastique à l'intérieur du tiroir

- Avant de brancher l'appareil, laissez-le en position verticale pendant environ deux (2) heures afin de réduire le risque de mauvais fonctionnement du système de refroidissement dû au transport.
- Nettoyez la surface intérieure à l'eau tiède avec un linge doux.

➤ Installation de votre appareil

- Posez votre réfrigérateur-congélateur sur un plancher assez solide pour supporter le poids de l'appareil plein. Pour mettre votre réfrigérateur-congélateur à niveau, réglez les pieds de mise à niveau situés au bas de l'appareil.

• LAISSEZ DE 3 À 5 POUCES DE DISTANCE ENTRE L'ARRIÈRE DE L'APPAREIL ET LE MUR, AU MOINS ½ POUCE DE CHAQUE CÔTÉ DE L'APPAREIL ET UN (1) POUCE AU-DESSUS POUR PERMETTRE UNE AÉRATION ADÉQUATE AFIN DE REFROIDIR LE COMPRESSEUR ET LE CONDENSEUR.

<u>Distances minimales requises</u>	
<u>Dessus</u>	<u>Un (1) pouce</u>
<u>Côtés</u>	<u>Un demi-pouce (½) pouce de chaque côté</u>
<u>Arrière</u>	<u>Trois à cinq (3 - 5) pouces à l'arrière</u>

- Installez l'appareil loin de la lumière directe du soleil et de toute source de chaleur (cuisinière, chauffe-eau, radiateur, etc.). La lumière directe du soleil peut endommager le revêtement acrylique et les sources de chaleur peuvent augmenter la consommation électrique. Des températures ambiantes extrêmement froides peuvent également nuire au bon fonctionnement du réfrigérateur-congélateur.
- Évitez d'installer l'appareil dans des endroits humides.
- Branchez l'appareil dans une prise électrique dédiée et correctement mise à la terre. En aucun cas, vous ne devez couper ou retirer la troisième broche (mise à la terre) du cordon d'alimentation. Les questions concernant l'alimentation électrique et/ou la mise à la terre doivent être portées à l'attention d'un électricien certifié ou d'un centre de réparation de produits FORNO agréé.

➤ Alarme de porte

※ Cet appareil est équipé d'une alarme automatique qui indique que l'une des portes de l'appareil est ouverte depuis un certain temps.

1. Un signal d'avertissement sonore retentit si l'une des portes est ouverte pendant plus de une (1) minute.
2. Si la porte est ouverte pendant une longue période, le signal d'avertissement sonore retentit trois (3) fois toutes les 30 secondes.

▲ L'alarme de porte cesse automatiquement dès que la porte est fermée.

▲ Évitez d'ouvrir les portes pendant de longues périodes pour économiser l'énergie.

Connexion électrique

⚡ Avertissement ⚡

L'utilisation inadéquate de la fiche de mise à la terre peut entraîner un risque d'électrocution. Si le cordon d'alimentation est endommagé, faites-le remplacer par un centre agréé de réparation de produits FORNO.

Cet appareil doit être correctement mis à la terre pour votre sécurité. Le cordon d'alimentation de cet appareil est équipé d'une fiche à trois broches qui correspond à une prise électrique standard à trois broches afin de réduire les risques d'électrocution.

Vous ne devez en aucun cas couper ou retirer la troisième broche du cordon d'alimentation fourni avec l'appareil.

Cet appareil requiert une prise électrique tripolaire de 115 V~/60Hz.

Le cordon d'alimentation doit être sécurisé derrière l'appareil et ne doit ni pendre ni être visible pour prévenir toute blessure accidentelle.

Ne jamais débrancher l'appareil en tirant sur le cordon d'alimentation. Saisissez fermement la fiche et retirez-la de la prise.

N'utilisez pas de rallonge avec cet appareil. Si le cordon d'alimentation est trop court, faites appel à un électricien qualifié ou à un technicien pour l'installation d'une prise près de l'appareil.

RALLONGE

En raison des dangers de sécurité potentiels pouvant survenir dans certaines conditions, il est fortement recommandé de ne pas utiliser de rallonge avec cet appareil. Si vous devez néanmoins utiliser une rallonge, cette dernière doit obligatoirement être équipée d'une fiche à trois fils avec sortie homologuée UL/CUL et avoir une tension électrique de 115 volts et une intensité d'au moins 10 ampères.

LIMITEUR DE SURTENSION

La plupart des appareils électriques fonctionnent au moyen de différentes gammes de panneaux de commande électriques. Ces panneaux sont sensibles aux surtensions et peuvent être endommagés ou détruits.

Si vous devez utiliser l'appareil dans une zone de votre ville / pays sensible aux surtensions, il est recommandé d'utiliser un limiteur de surtension pour tous vos appareils et équipements électriques. Le limiteur de surtension que vous choisirez doit être équipé d'un bloc de limitation de surtension suffisamment puissant pour protéger l'appareil auquel il est relié. Si vous avez des questions concernant le type et la taille du limiteur de surtension qu'il vous faut, contactez un électricien agréé près de chez vous.

Les dommages résultant de surtensions ne sont pas considérés comme un défaut couvert par le fabricant et annulent la garantie de votre produit.

Cette machine à glaçons fonctionne automatiquement (alimentation automatique d'eau, production et séparation automatique des glaçons ; vous n'avez donc pas besoin d'ajouter d'eau manuellement. Une fois le moule à glaçons rempli, la tige du capteur envoie automatiquement un signal à la machine lui indiquant de cesser la production de glace.

Machine à glaçons



- Ne mettez pas les mains dans les pièces mécaniques de la machine à glaçons (située au-dessus du bac de production de glace) pour éviter tout risque de blessures.
- Pour éviter une décharge électrique qui pourrait causer de graves blessures ou même la mort, coupez l'alimentation électrique du réfrigérateur avant de le raccorder à l'alimentation en eau.



La trousse de la machine à glaçons devrait être installée par un technicien d'entretien autorisé uniquement.

- Raccordez la machine à glaçons à une source d'eau potable.
- N'INSTALLEZ PAS de tuyau d'alimentation en eau dans les régions où les températures descendent sous le point de congélation.
- Si l'alimentation en eau provient d'un adoucisseur d'eau, assurez-vous que l'adoucisseur fonctionne bien et qu'il est bien entretenu. Les produits chimiques contenus dans un adoucisseur d'eau défaillant peuvent endommager la machine à glaçons.

➤ **Conseils.**

- Si la machine à glaçons est éteinte pendant une période prolongée, fermez le robinet d'alimentation en eau.
- Arrêtez la machine à glaçons lorsque vous nettoyez le congélateur ou lorsque vous partez en vacances durant une courte période.
- La machine à glaçons nécessite environ 24 heures pour commencer à produire normalement de glaçons. L'air contenu dans la tuyauterie neuve peut provoquer deux ou trois cycles à vide avant que la machine à glaçons ne produise un plein bac à glaçons. La tuyauterie neuve peut également produire de la glace décolorée et lui donner un goût étrange durant les 24 premières heures.

➤ **Fabrication de glaçons**

- Débranchez le réfrigérateur de sa source d'alimentation avant d'installer les tuyaux d'alimentation en eau conformément aux consignes du présent manuel. Après avoir raccordé le tuyau d'alimentation en eau, rebranchez le réfrigérateur.
- La machine à glaçons est réglée à ARRÊT par défaut. Le cas échéant, réglez la machine à glaçons à MARCHE conformément au diagramme sur le couvercle de la machine.
- Le temps requis pour produire de la glace dépend de l'état de la machine et varie selon la température ambiante, le type d'eau utilisée et la température de l'eau dans le bac de production.
- La taille des glaçons varie selon la quantité d'eau à l'intérieur du bac de fabrication de glaçons.
- Les glaçons restent collés ou rapetissent s'ils sont stockés pendant de longues périodes.
- Faites attention de ne pas vous blesser les mains lorsque vous séparez les glaçons collés.

➤ **Avant d'installer l'alimentation en eau, vous aurez besoin :**

- **AVERTISSEMENT** : Connexion à une source d'eau potable seulement.
- **Accès à une canalisation d'eau froide domestique d'une pression se situant entre 30 et 100 lb/po2 (2 et 6,9 bars).**
- Un robinet d'arrêt qui raccorde l'alimentation en eau à votre système de distribution d'eau domestique. NE PAS utiliser de robinets d'arrêt de type auto-perceur.

➤ **Pour raccorder l'alimentation au robinet d'arrivée de la machine à glaçons**

- Débranchez le réfrigérateur de sa source d'alimentation.
- Videz le réfrigérateur de tous les accessoires d'installation (conduite d'eau, connecteur, rondelle, attache).
- Serrez tous les raccordements qui risquent de fuir et ouvrez l'alimentation d'eau au robinet d'arrêt.
- Rebranchez le réfrigérateur à la source d'alimentation.
- Pour mettre la machine à glaçons en marche, abaissez le bras d'activation. (Se référer au couvercle avant de la machine à glaçons pour connaître les positions arrêt / marche du bras d'activation).

Conseils

La machine à glaçons fonctionne normalement uniquement lorsque la température ambiante atteint - 13°C.

Après le premier branchement du réfrigérateur, au bout de 8 à 24 heures (selon la quantité d'aliments entreposés dans le réfrigérateur), la machine à glaçons commence à fonctionner normalement lorsqu'elle est en position « ON ». Après 72 heures de fonctionnement, la boîte de rangement sera pleine de glaçons.

UTILISATION DE VOTRE APPAREIL

Mode sabbat

1. Comment entrer en mode Sabbat:

lorsque le congélateur est ouvert, appuyez et maintenez le bouton «Fridge» + le bouton «Lock» pendant 10 secondes;

2. En mode Sabbat:

a, il n'y a pas d'alarme d'ouverture de porte;

b, les voyants LED du réfrigérateur et du congélateur sont éteints;

c, Le panneau d'affichage ne s'affichera pas à moins qu'il ne soit ajusté par l'homme;

*En mode Sabbat, il continuera d'afficher et d'émettre de la lumière après avoir touché le panneau, mais il s'éteindra après avoir attendu 20 secondes sans opération ou après avoir ouvert et fermé la porte une fois.

d, le réfrigérateur répond à la demande normale de réfrigération;

3. Comment quitter le mode Sabbat:

a, Lorsque le congélateur est ouvert, appuyez et maintenez le bouton «Fridge» + le bouton «Lock» pendant 10 secondes pour sortir manuellement;

b, lorsque le temps de travail du mode Sabbat dépasse 80 heures, il se terminera automatiquement.

UTILISATION DE VOTRE APPAREIL



La température par défaut est indiquée en Fahrenheit lorsque l'appareil est sous tension.

Appuyez sur la touche « MODE » pendant cinq (5) secondes pour alterner entre les indications °C et °F. D'autres touches utilisent la même méthode pour alterner entre deux (2) modes.

Réglage de la plage de température : Mode degrés Celsius

1. Plage de la température du réfrigérateur : 0~6 °C (la valeur par défaut est de 3 °C) 2. Plage de la température du congélateur : -23~-15 °C (la valeur par défaut est de -19 °C).

Réglage de la plage de température : Mode degrés Fahrenheit

1. Plage de la température du réfrigérateur : 32~43 °F (la valeur par défaut est de 38 °F) 2. Plage de la température du congélateur : -10~5 °F (la valeur par défaut est de -2 °F).

• PANNEAU DE COMMANDE – SÉCURITÉ DES ENFANTS

Le VERROUILLAGE DU PANNEAU DE COMMANDE est conçu pour éviter toute modification aux réglages du réfrigérateur.

Pour activer la fonction SÉCURITÉ DES ENFANTS, appuyez sur la touche LOCK (VERROUILLER). L'icône SÉCURITÉ DES ENFANTS s'allume.

Le panneau de commande est verrouillé jusqu'à ce qu'il soit déverrouillé via le panneau de commande ou lors d'une panne de courant.

Pour désactiver la fonction SÉCURITÉ DES ENFANTS, appuyez et maintenez la touche lock pendant environ trois (3) secondes jusqu'à ce que l'icône LOCK (VERROUILLER) s'allume et que le panneau de commande fonctionne en mode normal.

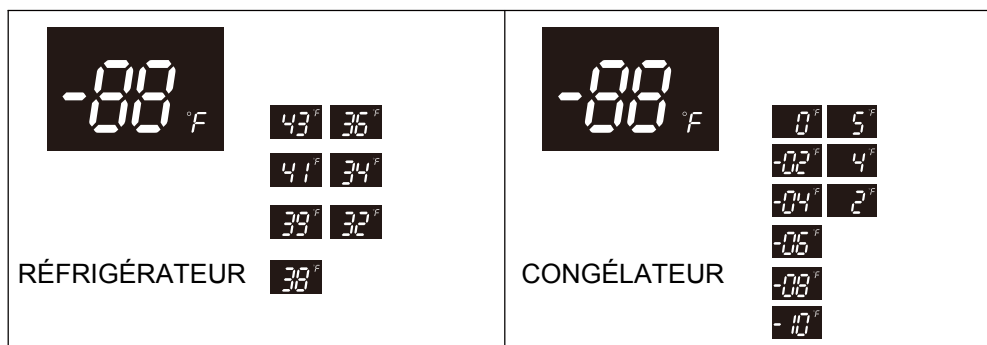
• PANNEAU DE COMMANDE – VEILLE

Le PANNEAU DE COMMANDE s'assombrit après 20 secondes d'inactivité.

Pour réactiver l'affichage, il suffit d'appuyer sur n'importe quelle touche du panneau de commande.

➤ Réglage de la température

- Votre appareil est équipé d'une fonction de réglage de la température. La touche de réglage de la température se trouve à l'extérieur de la porte du compartiment du réfrigérateur.
- Lorsque vous mettez l'appareil en service pour la première fois, l'appareil démarre à la température par défaut réglée en usine soit 38 °F pour la section réfrigération et -2 °F pour la section congélation.
- Lorsque vous mettez l'appareil en service pour la première fois, réglez la température du compartiment réfrigérateur à 34 °F et laissez-le fonctionner à cette température pendant au moins quatre (4) heures avant de ranger des aliments à l'intérieur. Cette procédure assure un refroidissement complet du congélateur et une stabilisation du compartiment réfrigérateur avant le rangement des aliments. Réglez ensuite la température selon vos besoins.
- Pour régler la température de chaque zone, appuyez sur la touche de la zone appropriée. La zone sélectionnée se met à clignoter. La température variera selon les températures préprogrammées comme illustré ci-dessous. L'appareil émet un son carillonnant lors de chaque pression des touches du panneau de commande.



FONCTIONS PRÉPROGRAMMÉES :

- **MODE CONGÉLATION RAPIDE**



Ce mode permet de régler la température du congélateur à -10 °F pour une chute rapide de la température pour le rangement de grandes quantités de nourriture tiède ou à température ambiante dans le congélateur.

L'appareil demeure en mode FAST FREEZE (CONGÉLATION RAPIDE) pendant 24 heures ou jusqu'à ce que la température atteigne -10 °F et revient à son réglage d'origine, ou jusqu'à ce que la fonction soit désactivée sur le panneau de commande. Les modes FAST COOL (RÉFRIGÉRATION RAPIDE) et FAST FREEZE (CONGÉLATION RAPIDE) peuvent fonctionner simultanément.

Pour activer le mode CONGÉLATION RAPIDE, appuyez sur la touche CONGÉLATION RAPIDE jusqu'à ce que l'icône CONGÉLATION RAPIDE s'allume. L'icône reste allumée lorsqu'elle est activée. Pour désactiver le mode CONGÉLATION RAPIDE, appuyez sur la touche CONGÉLATION RAPIDE jusqu'à ce que l'icône CONGÉLATION RAPIDE s'éteigne.

- **MODE RÉFRIGÉRATION RAPIDE**



Ce mode permet de régler la température du réfrigérateur à 32 °F pour une chute rapide de la température pour le rangement de grandes quantités de nourriture tiède ou à température ambiante dans le réfrigérateur.

L'appareil demeure en mode RÉFRIGÉRATION RAPIDE pendant 2 heures et 30 minutes ou jusqu'à ce que la température atteigne 32 °F et revienne à son réglage d'origine, ou jusqu'à ce que la fonction soit désactivée sur le panneau de commande. Les modes RÉFRIGÉRATION RAPIDE et CONGÉLATION RAPIDE peuvent fonctionner simultanément.

Pour activer le mode RÉFRIGÉRATION RAPIDE, appuyez sur la touche RÉFRIGÉRATION RAPIDE jusqu'à ce que l'icône RÉFRIGÉRATION RAPIDE s'allume. L'icône reste allumée lorsqu'elle est activée.

Pour désactiver le mode RÉFRIGÉRATION RAPIDE, appuyez sur la touche RÉFRIGÉRATION RAPIDE jusqu'à ce que l'icône RÉFRIGÉRATION RAPIDE s'éteigne.

- **MODE VACANCES**



Utilisez ce mode lorsque vous vous absentez pendant de longues périodes. Videz en grande partie le contenu de la section réfrigérateur sans vider la section congélateur. Le mode VACANCES règle automatiquement la température de la section réfrigérateur à 43 °F et la section congélateur à 5 °F. L'appareil demeure en mode VACANCES jusqu'à ce que la fonction soit désactivée sur le panneau de commande.

Pour activer le mode VACANCES, appuyez sur la touche VACANCES jusqu'à ce que l'icône VACANCES s'allume. L'icône reste allumée lorsqu'elle est activée.

Pour désactiver le mode VACANCES, appuyez sur la touche VACANCES jusqu'à ce que l'icône VACANCES s'éteigne.

REMARQUE :

- SI L'APPAREIL EST DÉBRANCHÉ, S'IL EST MIS HORS SERVICE OU LORS D'UNE PANNE DE COURANT, ATTENDEZ DE 3 À 5 MINUTES AVANT DE LE REMETTRE SOUS TENSION. SI VOUS ESSAYEZ DE REMETTRE L'APPAREIL SOUS TENSION AVANT CE DÉLAI, LE RÉFRIGÉRATEUR-CONGÉLATEUR NE DÉMARRERA PAS.

REMARQUE :

IL N'EST PAS RECOMMANDÉ D'INSTALLER LE RÉFRIGÉRATEUR DANS DES ENDROITS OÙ LA TEMPÉRATURE DESCEND EN DESSOUS DE 32 °F (0 °C) OU S'ÉLÈVE À 110 °F (43 °C). LE COMPRESSEUR NE POURRA PAS MAINTENIR DES TEMPÉRATURES APPROPRIÉES À L'INTÉRIEUR DU RÉFRIGÉRATEUR.

POUR UNE INSTALLATION DANS DES ENDROITS OÙ LA TEMPÉRATURE DESCEND EN DESSOUS DE 32 °F, RÉGLEZ LA TEMPÉRATURE DU CONGÉLATEUR À LA TEMPÉRATURE LA PLUS FROIDE POUR AMÉLIORER LE FONCTIONNEMENT DU RÉFRIGÉRATEUR DANS CES CONDITIONS.

NETTOYAGE ET ENTRETIEN

➤ Nettoyage de votre appareil

- Débranchez l'appareil et sortez les aliments et les paniers.
- Lavez l'intérieur à l'eau chaude avec une solution de bicarbonate de soude. La solution doit être de 2 c. à soupe de bicarbonate de soude pour un litre d'eau.
- Lavez les paniers avec une solution de détergent doux.
- Nettoyez l'extérieur de l'appareil avec un détergent doux et de l'eau chaude.

MISE EN GARDE

Ne pas débrancher le réfrigérateur-congélateur pourrait entraîner une décharge électrique ou des blessures corporelles.

➤ Panne de courant

La plupart des pannes de courant sont corrigées en quelques heures et ne devraient pas affecter la température de votre réfrigérateur-congélateur si vous réduisez le nombre de fois que la porte est ouverte. S'il n'y a pas de courant pendant une période prolongée, vous devez prendre les mesures appropriées pour protéger votre nourriture.

➤ Périodes de vacances

Courts séjours : Laissez l'appareil fonctionner pendant des congés de moins de trois semaines.

Longues vacances : Si l'appareil n'est pas utilisé pendant plusieurs mois, retirez tous les aliments et débranchez le cordon d'alimentation. Nettoyez et séchez soigneusement l'intérieur. Pour éviter les odeurs et la croissance des moisissures, laissez la porte entrouverte : bloquez-la ouverte si nécessaire.

➤ Déplacement de votre appareil

- Retirez tous les aliments.
- Fixez solidement tous les articles en vrac à l'intérieur de l'appareil avec du ruban adhésif.
- Tournez les vis de nivelage jusqu'à la base pour éviter tout dommage.
- Fermez la porte avec du ruban adhésif.
- Assurez-vous que l'appareil reste en position verticale pendant le transport.

➤ Conseils d'économie d'énergie

- L'appareil doit être situé dans la zone la plus fraîche de la pièce, loin des appareils produisant de la chaleur ou des conduits de chauffage et loin de la lumière solaire directe.
- Laissez refroidir les aliments chauds à la température ambiante avant de les placer dans l'appareil. Surcharger l'appareil oblige le compresseur à fonctionner plus longtemps. Les aliments qui gèlent trop lentement peuvent perdre en qualité ou se gâter.
- Assurez-vous d'emballer les aliments et essuyez les contenants avant de les placer dans l'appareil. Cela réduit l'accumulation de givre à l'intérieur du congélateur.
- Rangez correctement et étiquetez clairement la nourriture pour réduire les ouvertures de porte et les recherches prolongées. Retirez autant d'articles que nécessaire en une seule fois et refermez la porte le plus rapidement possible.

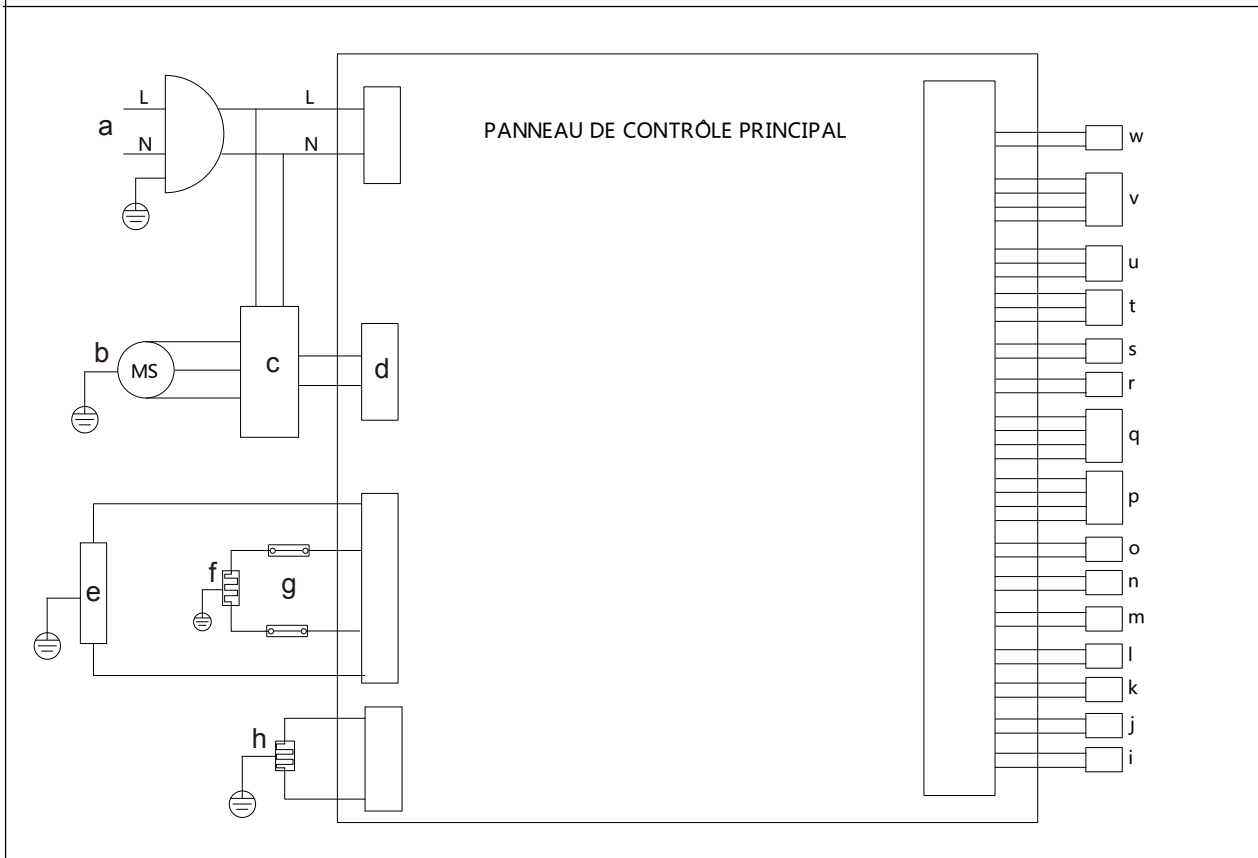
➤ DES PROBLÈMES AVEC VOTRE APPAREIL?

Vous pouvez résoudre facilement de nombreux problèmes courants de votre réfrigérateur-congélateur, vous permettant ainsi d'économiser le coût éventuel d'un appel de service. Essayez les suggestions ci-dessous pour voir si vous pouvez résoudre le problème avant d'appeler le service de réparation.

GUIDE DE DÉPANNAGE

PROBLÈME	CAUSE PROBABLE
L'unité ne fonctionne pas.	L'appareil n'est pas branché. Le disjoncteur s'est déclenché ou un fusible a sauté.
Le compresseur s'active et s'éteint fréquemment.	La température ambiante est plus élevée que d'habitude. Il y a trop de nourriture dans le réfrigérateur - congélateur. La porte est ouverte trop souvent. La porte n'est pas complètement fermée. La température est mal réglée. Le joint de porte est défectueux. Les distances minimales requises du réfrigérateur-congélateur ne sont pas respectées.
Vibrations.	Vérifiez que le réfrigérateur – congélateur est bien au niveau.
L'appareil semble faire trop de bruit.	Le bruit de cliquetis peut provenir de l'écoulement du réfrigérant, ce qui est normal. À la fin de chaque cycle, vous pouvez entendre des gargouillis produits par l'écoulement du réfrigérant dans votre réfrigérateur-congélateur. La contraction et la dilatation des parois internes de l'appareil peuvent causer des bruits de craquement et de martèlement. L'appareil n'est pas au niveau.
La porte ne ferme pas bien.	L'appareil n'est pas au niveau. La porte est inversée et incorrectement installée. Le joint est sale. Les paniers sont hors de position.
Le séparateur de section est chaud au toucher.	Ceci est normal. La zone de la section du séparateur contient un dispositif de chauffage anti-condensation qui est chaud au toucher lors du cycle d'anti-condensation pour empêcher la formation de condensation entre les deux sections.

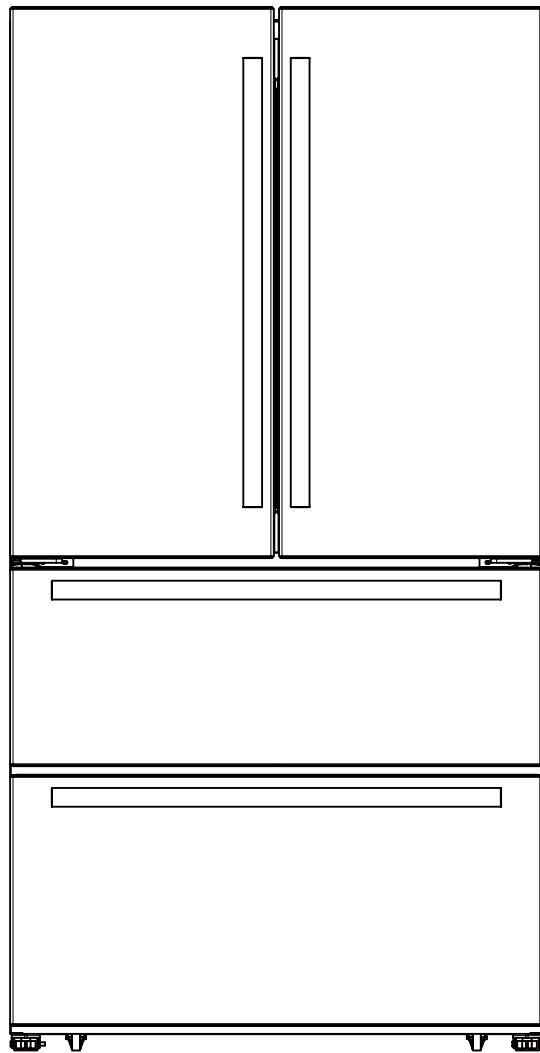
DIAGRAMME DE CÂBLAGE



a	FICHE	i	INTERRUPTEUR INFÉRIEUR DE PORTE AVANT	q	PANNEAU AFFICHEUR
b	COMPRESSEUR	j	INTERRUPTEUR SUPÉRIEUR DE PORTE AVANT	r	AMPOULE DU CONGÉLATEUR
c	CONVERTISSEUR DE FRÉQUENCE	k	INTERRUPTEUR DE PORTE DROITE	s	AMPOULE DU RÉFRIGÉRATEUR
d	SIGNAL	l	INTERRUPTEUR DE PORTE GAUCHE	t	VENTILATEUR DU CONGÉLATEUR
e	MONTAGE DE LA MACHINE À GLAÇONS	m	CAPTEUR DU DÉVRIGEUR	u	VENTILATEUR DU CONDENSEUR
f	DISPOSITIF DE CHAUFFAGE DU DÉGIVREUR	n	CAPTEUR DU CONGÉLATEUR	v	MOTEUR PAS-À-PAS
g	PROTECTEUR	o	CAPTEUR DU RÉFRIGÉRATEUR	w	DISPOSITIF DE CHAUFFAGE DU CONDUIT D'EAU
h	CÂBLE CHAUFFANT À FAISCEAU ARTICULÉ	p	CAPTEUR DE TEMPÉRATURE ET D'HUMIDITÉ		



FORNO
Alta Qualita



FFRBI1820-36S
FFRBI1820-36SB

**Refrigerador – Congelador de 19.3 pies cúbicos - 36”,
con Puertas Francesas y máquina de hielo**

**ANTES DE USAR, LEA Y SIGA TODAS LAS NORMAS DE SEGURIDAD E
INSTRUCCIONES DE FUNCIONAMIENTO.**

ÍNDICE

Atención al cliente	39
Seguridad del electrodoméstico	42
Guías de seguridad importantes	43
Partes y características	44
Instrucciones importantes de seguridad	45
Instrucciones de instalación	46
Conexión eléctrica	47
Máquina de hielo	48
Funcionamiento de su electrodoméstico	49-51
Cuidado y mantenimiento	52
Limpieza de su electrodoméstico	52
Falla de energía / Período de vacaciones / Traslado de su electrodoméstico	52
Consejos de ahorro de energía	52
Guía de solución de problemas	53
Diagrama de cableado	54



ADVERTENCIA: Este producto puede exponerle a químicos incluyendo [Plomo , Compuestos de plomo y plomo, El bisfenol A], que es (son) conocido (s) por el Estado de California como causante (s) de cáncer y defectos de nacimiento u otros daños reproductivos. Para mayor información, visite www.P65Warnings.ca.gov.

Atención al cliente

Gracias por comprar un producto FORNO. Lea el manual de instrucciones completamente antes de utilizar su nuevo electrodoméstico por primera vez. Si usted es un usuario ocasional o ya un experto, resulta siempre beneficioso familiarizarse con las prácticas de seguridad, características, funcionamiento y recomendaciones de cuidado de su electrodoméstico.

Tanto el modelo como el número de serie figuran en el producto. Para la garantía, también necesitará la fecha de compra. Registre las informaciones a continuación para referencia futura:

INFORMACIONES DE SERVICIO:

Número del modelo :

Use estos números en cualquier correspondencia o llamadas de servicio relacionadas con su electrodoméstico.

Número de serie :

Si recibió un electrodoméstico dañado, comuníquese inmediatamente **FORNO**.

Fecha de compra :

Ahorre tiempo y dinero. Antes de llamar al servicio técnico, consulte la Guía de solución de problemas. Enumera las causas de los problemas de funcionamiento menores que puede corregir usted mismo.

Dirección del lugar de compra y teléfono :

SERVICIO EN CANADA Y LOS ESTADOS UNIDOS:

Mantenga el manual de instrucciones a mano para responder sus preguntas. Puede encontrar toda la información en línea www.fornoappliances.com. Si no entiende algo o necesita ayuda adicional, llame a nuestro Servicio al Cliente: 1-866-231-8893

O por correo electrónico: info@forno.ca

Si hay algún problema, comuníquese con el servicio al cliente de FORNO. Todo el trabajo de garantía debe ser autorizado por el servicio de atención al cliente de FORNO. Todos nuestros proveedores de servicios autorizados son cuidadosamente seleccionados y rigurosamente capacitados por nosotros.

Garantía

Qué cubre esta garantía limitada:

La cobertura de garantía proporcionada por Forno en esta declaración se aplica exclusivamente al dispositivo ("Producto") vendido al consumidor ("Comprador") por un revendedor/distribuidor/minorista autorizado de Forno, comprado e instalado en los Estados Unidos o Canadá, y que siempre ha permanecido en el país original de compra (Estados Unidos o Canadá). La cobertura de la garantía se activa en la fecha de compra original y tiene un plazo de dos (2) años.

La cobertura de la garantía no es transferible. En caso de reemplazo de piezas o del producto completo, el producto (o piezas) de reemplazo asumirá el resto de la garantía original activada con el comprobante de compra original. Esta garantía no se extenderá con respecto a dicho reemplazo. Forno reparará o reemplazará cualquier componente / pieza que falle o se encuentre defectuoso debido a materiales y / o mano de obra dentro de los 2 años posteriores a la fecha de compra minorista inicial y bajo condiciones residenciales ordinarias no comerciales. La reparación o el reemplazo serán gratuitos, incluida la mano de obra a tarifas estándar y los gastos de envío. El comprador es responsable de hacer que el producto sea razonablemente accesible para el servicio. El servicio de reparación debe ser realizado por una empresa de servicio autorizada de Forno durante las horas normales de trabajo.

IMPORTANTE

Conserve el comprobante de compra original para establecer el período de garantía. La responsabilidad de Forno por cualquier reclamación de cualquier tipo, con respecto a los bienes y/o servicios suministrados, en ningún caso excederá el valor de los bienes o servicios o de la parte que dio lugar a la reclamación.

Garantía cosmética de 30 días

El Comprador debe inspeccionar el producto en el momento de la entrega. Forno garantiza que el Producto está libre de defectos de materiales y mano de obra durante un período de treinta (30) días a partir de la fecha original de compra del Producto.

Esta cobertura incluye:

Manchas de pintura

Abrasiones

Defectos de acabado macroscópicos

La garantía cosmética NO cubre:

Problemas resultantes de un transporte, manipulación y/o instalación inadecuados (por ejemplo, abolladuras, estructuras o componentes rotos, deformados o deformados, componentes de vidrio agrietados o dañados);

Ligeras variaciones de color en componentes pintados / esmaltados;

Diferencias causadas por iluminación natural o artificial, ubicación u otros factores similares;

Manchas/corrosión/decoloración causadas por sustancias externas y/o factores ambientales;

Costos de mano de obra, exhibición, piso, stock B, electrodomésticos listos para usar, "tal cual" y unidades de demostración.

Cómo recibir el servicio

Para recibir los servicios de garantía, el comprador debe ponerse en contacto con el departamento de soporte de Forno para determinar el problema y los procedimientos de servicio requeridos. *Será necesario solucionar problemas* con un representante de servicio al cliente antes de seguir adelante con el servicio. Se solicitará el número de modelo original, el número de serie y la fecha de compra de venta al público.

Descargo de responsabilidad de garantía: Lo que no está cubierto

> El uso del producto en cualquier lugar no residencial, aplicación comercial. Uso del Producto para cualquier otra cosa que no sea su propósito previsto.

> Servicios de reparación proporcionados por cualquier persona que no sea una Agencia de Servicio Autorizada de Forno.

> Servicios de daño o reparación para corregir servicios prestados por partes no autorizadas o uso de piezas no autorizadas.

> Instalación que no cumple con los códigos de incendios locales/estatales/municipales/del condado, códigos eléctricos, códigos de gas, códigos de plomería, códigos de construcción, leyes o reglamentos.

> Defectos o daños debidos a un almacenamiento inadecuado del Producto.

> Defectos, daños o piezas faltantes en productos vendidos fuera del embalaje o exhibiciones originales. Llamadas de servicio o reparaciones para corregir un error en la instalación del Producto y/o accesorios asociados.

> Reemplazo de piezas/llamadas de servicio para conectar, convertir o reparar cableado eléctrico y/o línea de gas con el fin de utilizar correctamente el producto.

> Sustitución de piezas/llamadas de servicio para proporcionar instrucciones e información sobre el uso del Producto.

> Reemplazo de piezas/llamadas de servicio para corregir problemas resultantes del uso del producto de una manera distinta a la normal y habitual para uso residencial.

circundante, incluidos muebles, armarios, suelos, paneles y otras estructuras que rodean el Producto. Forno no es responsable de los Productos si se encuentra en un área remota o en un área donde técnicos capacitados

> Reemplazo de piezas/llamadas de servicio debido al desgaste de componentes como juntas, botones, soportes de sartén, estantes, cestas de cubiertos, botones, pantallas táctiles, bandejas vitrocerámicas rayadas o rotas.

> Reemplazo de piezas / llamadas de servicio en caso de falta / mantenimiento deficiente, que incluye pero no se limita a: acumulación de residuos, manchas, arañazos, decoloración, corrosión.

> Defectos y daños resultantes de accidentes, alteración, mal uso, abuso o instalación incorrecta.

> Defectos y daños resultantes del Producto de Transporte, Logística y Manipulación. La inspección del producto debe realizarse en el momento de la entrega. Tras la recepción e inspección, el distribuidor / empresa de entrega vendedora debe ser informado de cualquier problema que surja de la manipulación, el transporte y la logística.

> Defectos y daños resultantes de fuerzas externas fuera del control de Forno, incluidos, entre otros, viento, lluvia, arena, fuego, inundación, deslizamientos de tierra, temperaturas bajo cero, humedad excesiva o exposición prolongada a la humedad, sobretensiones, rayos, fallas estructurales que rodean el dispositivo y otros actos de Dios.

> Productos cuyo número de serie ha sido alterado/dañado. En ningún caso Forno es responsable de los daños a la propiedad certificados no están razonablemente disponibles. El Comprador asumirá todos los costos de transporte y entrega del Producto al centro de servicio autorizado o los gastos de viaje adicionales de un técnico certificado.

NO HAY GARANTÍAS EXPRESAS DISTINTAS DE LAS ENUMERADAS Y DESCRITAS ANTERIORMENTE, Y NO HAY GARANTÍAS, EXPRESAS O IMPLÍCITAS, INCLUIDAS, ENTRE OTRAS, LAS GARANTÍAS IMPLÍCITAS DE COMERCIABILIDAD O IDONEIDAD PARA UN PROPÓSITO PARTICULAR QUE SE APLICARÁN DESPUÉS DE LOS PERÍODOS DE GARANTÍA EXPRESOS ESTABLECIDOS ANTERIORMENTE, Y NINGUNA OTRA GARANTÍA EXPRESA O GARANTÍA OTORGADA POR NINGUNA PERSONA, LA EMPRESA O EMPRESA CON RESPECTO A ESTE PRODUCTO SERÁ OBLIGATORIA PARA FORNO. FORNO NO SERÁ RESPONSABLE POR PÉRDIDA DE INGRESOS O BENEFICIOS, FALTA DE AHORROS U OTROS BENEFICIOS, TIEMPO FUERA DEL TRABAJO, COMIDAS, PÉRDIDA DE ALIMENTOS O BEBIDAS, GASTOS DE VIAJE U HOTEL, COSTOS DE ALQUILER O COMPRA DE ELECTRODOMÉSTICOS, GASTOS DE REMODELACIÓN / CONSTRUCCIÓN MAYORES QUE EL DAÑO DIRECTO INNEGABLE CAUSADO EXCLUSIVAMENTE POR FORNO O CUALQUIER OTRO ESPECIAL, DAÑOS INCIDENTALES O CONSECUENTES CAUSADOS POR EL USO, MAL USO O IMPOSIBILIDAD DE USO DE ESTE PRODUCTO, INDEPENDIENTEMENTE DE LA TEORÍA ALEGAL EN LA QUE SE BASE LA RECLAMACIÓN, E INCLUSO SI FORNO HA SIDO ADVERTIDO DE LA POSIBILIDAD DE TALES DAÑOS. ADEMÁS, LA RECUPERACIÓN DE CUALQUIER TIPO CONTRA FORNO NO SERÁ SUPERIOR AL PRECIO DE COMPRA DEL PRODUCTO VENDIDO POR FORNO Y CAUSANTE DEL DAÑO ALEGADO. SIN PERJUICIO DE LO ANTERIOR, EL COMPRADOR ASUME TODOS LOS RIESGOS Y RESPONSABILIDADES POR PÉRDIDAS, DAÑOS O LESIONES A LA PROPIEDAD DEL COMPRADOR Y DEL COMPRADOR Y OTROS Y SUS PROPIEDADES QUE SURJAN DEL USO, MAL USO O IMPOSIBILIDAD DE USAR ESTE PRODUCTO VENDIDO POR FORNO QUE NO SEA EL RESULTADO DIRECTO DE NEGLIGENCIA POR PARTE DE FORNO. LA GARANTÍA LIMITADA NO SE EXTENDERÁ A NADIE MÁS QUE AL COMPRADOR ORIGINAL DE ESTE EL PRODUCTO NO ES TRANSFERIBLE Y ESTABLECE SU RECURSO EXCLUSIVO.

SEGURIDAD DEL ELECTRODOMÉSTICO

Su seguridad y la de los otros es muy importante.

En este manual y en el electrodoméstico proporcionamos muchos mensajes de seguridad importantes. Siempre lea y respete todos los mensajes de seguridad.



Este es el Símbolo de Alerta de Seguridad. Este símbolo lo alerta de los posibles peligros que pueden matarlo o herirlo a usted y a otros.

Todos los mensajes de seguridad tendrán el Símbolo de Alerta de Seguridad seguido de las palabras "PELIGRO", "ADVERTENCIA" o "PRECAUCIÓN".



Peligro significa que el incumplimiento de este aviso de seguridad puede provocar lesiones personales graves o la muerte.



Advertencia significa que el incumplimiento de este aviso de seguridad puede ocasionar daños importantes en el producto, lesiones personales graves o la muerte.



Precaución significa que el incumplimiento de este aviso de seguridad puede provocar lesiones personales leves o moderadas, o daños a la propiedad o al equipo.

Todos los mensajes de seguridad lo alertarán sobre cuál es el peligro potencial, le dirán cómo reducir la posibilidad de lesiones y le informarán qué puede suceder si no se siguen las instrucciones.

	<p>ADVERTENCIA: Riesgo de cáncer y daño reproductivo</p>
ADVERTENCIAS DEL GAS REFRIGERANTE	
<p>PELIGRO - Riesgo de incendio o explosión. Refrigerante inflamable utilizado. NO use dispositivos mecánicos para descongelar el refrigerador. NO perfore la tubería de refrigeración.</p> <p>PELIGRO - Riesgo de incendio o explosión. Refrigerante inflamable utilizado. Para ser reparado solo por personal de servicio capacitado. NO perfore la tubería de refrigeración.</p> <p>PRECAUCIÓN - Riesgo de incendio o explosión. Refrigerante inflamable utilizado. Consulte el manual de reparación/guía del propietario antes de intentar reparar este producto. Se deben seguir todas las precauciones de seguridad.</p> <p>PRECAUCIÓN - Riesgo de incendio o explosión. Deseche el artefacto de acuerdo con las regulaciones federales o locales. Refrigerante inflamable utilizado.</p> <p>PRECAUCIÓN: Riesgo de incendio o explosión debido a la perforación de la tubería de refrigeración; siga las instrucciones de manejo con cuidado. Refrigerante inflamable utilizado.</p>	

GUÍAS DE SEGURIDAD IMPORTANTES



Antes de usar el enfriador de bebidas, debe colocarlo e instalarlo correctamente como se describe en este manual, así que léalo detenidamente. Para reducir el riesgo de incendio, descarga eléctrica o lesiones al usar el enfriador de bebidas, siga las precauciones de base, incluidas las siguientes:

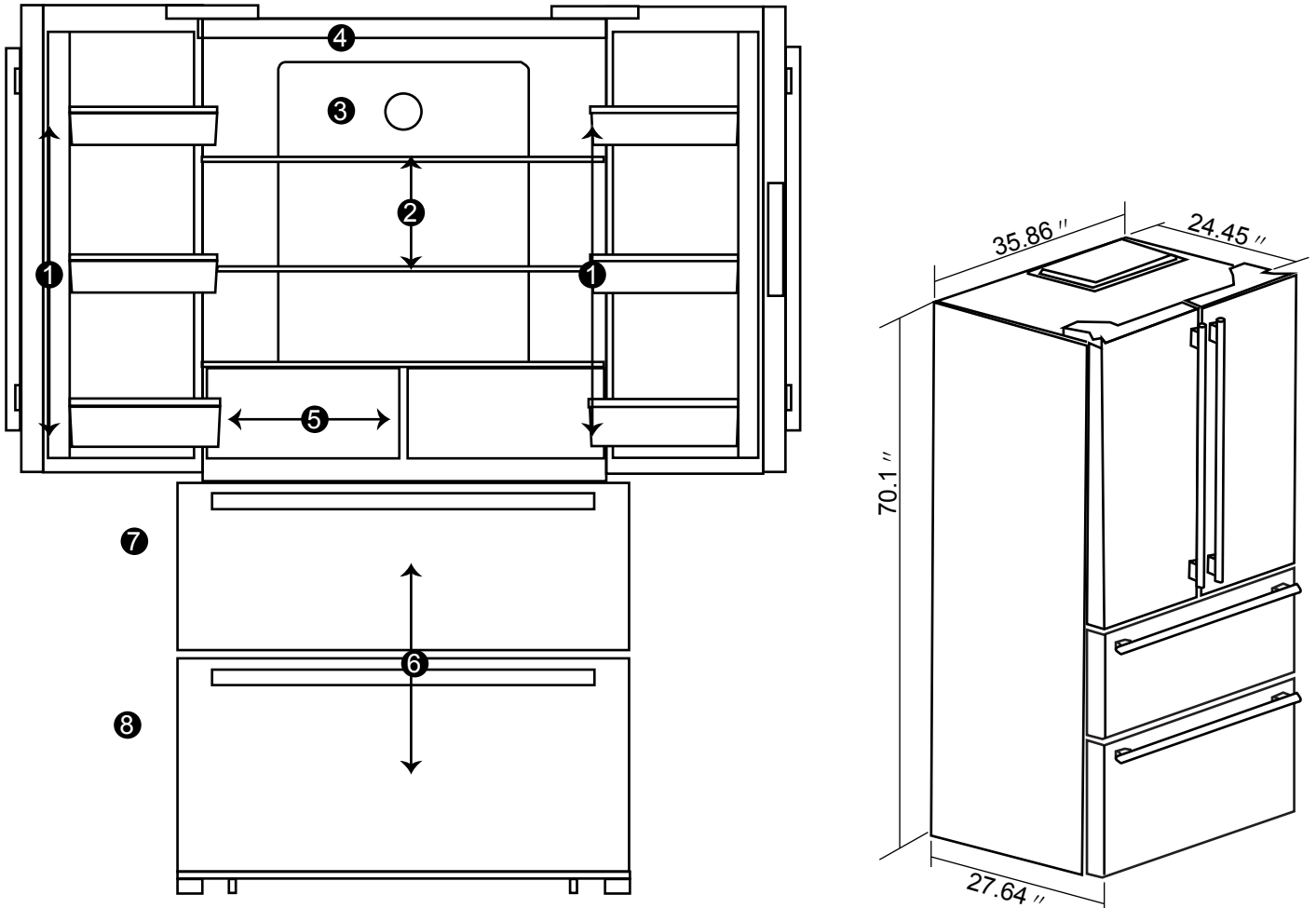
Peligro

- Enchúfelo a un tomacorriente de 3 clavijas con conexión a tierra, no retire la clavija con conexión a tierra, no use un adaptador y no use un cable de extensión.
- Reemplace todos los paneles antes de ponerlo en funcionamiento.
- Se recomienda contar con un circuito separado solo para su enfriador de bebidas. Use receptáculos que no se puedan apagar con un interruptor o cadena de tracción.
- Nunca limpie las partes del electrodoméstico con fluidos inflamables. Éstos pueden crear un peligro de incendio o explosión. Y no almacene ni use gasolina u otros vapores y líquidos inflamables cerca de este o cualquier otro electrodoméstico. Los humos generados pueden crear un peligro de incendio o explosión.
- Antes de continuar con las tareas de limpieza y mantenimiento, asegúrese de que la alimentación de la unidad esté desconectada.
- No conecte ni desconecte el enchufe eléctrico cuando sus manos estén mojadas.
- Desenchufe el electrodoméstico o desconecte la alimentación antes de limpiarlo o repararlo. No hacerlo puede provocar descargas eléctricas o la muerte.
- No intente reparar o reemplazar ninguna parte de su electrodoméstico a menos que se recomiende específicamente en este manual. Todos los demás servicios deben ser realizados por un técnico calificado.

ADVERTENCIA

- Use dos o más personas para mover e instalar el electrodoméstico. De lo contrario, pueden provocarse lesiones en la espalda u otras partes del cuerpo.
- Para garantizar una ventilación adecuada para su electrodoméstico, la unidad debe estar completamente sin obstrucciones. Elija un área bien ventilada con temperaturas superiores a 55°F (13°C) e inferiores a 90°F (32°C). Este artefacto debe instalarse en un área protegida de condiciones como el viento, la lluvia, el rocío de agua o la luz solar.
- El aparato no debe ubicarse cerca de hornos, parrillas u otras fuentes de calor.
- El electrodoméstico debe instalarse con todas las conexiones eléctricas, de agua y drenaje de acuerdo con los códigos estatales y locales. Se requiere un suministro eléctrico estándar (115 V CA solamente, 60 Hz), debidamente conectado a tierra de acuerdo con el Código Eléctrico Nacional y los códigos y ordenanzas locales.
- No doble ni apriete el cable de alimentación del electrodoméstico.
- El tamaño del fusible (o disyuntor) debe ser de 15 amperios.
- Es importante nivelar el artefacto para que funcione correctamente. Es posible que se deban hacer varios ajustes para nivelarlo.
- Toda la instalación debe realizarse de acuerdo con los requisitos del código de plomería local.
- Asegúrese de que las tuberías no sean apretadas, retorcidas o dañadas durante la instalación.
- Compruebe si hay fugas o pérdidas después de la conexión.
- Nunca permita que los niños pongan en funcionamiento, jueguen o se metan dentro del artefacto.
- No utilice productos de limpieza a base de solventes o abrasivos en el interior. Estos limpiadores pueden dañar o decolorar el interior del artefacto.
- No utilice este electrodoméstico para otro fin que no sea el previsto.

PARTES Y CARACTERÍSTICAS



1	(6) Seis compartimentos en la puerta del refrigerador	5	(2) Dos gavetas para verduras con tapa de vidrio.
2	(2) Dos estantes de refrigerador	6	(2) Dos cajones de congelador
3	(1) Una luz de refrigerador	7	(1) Un kit para fabricar hielo dentro del cajón
4	(1) Una luz LED de refrigerador	8	(1) Un cajón de plástico dentro del cajón

** Nota

El área de separadores de sección contiene un calentador anti condensación y estará caliente al tacto durante el ciclo de anti condensación para evitar que se forme condensación entre las dos secciones.

INSTRUCCIONES IMPORTANTES DE SEGURIDAD

⚡ ADVERTENCIA ⚡

Para reducir el riesgo de incendio, descarga eléctrica o lesiones al usar su refrigerador-congelador, siga estas precauciones básicas:

- Lea todas las instrucciones antes de usar el refrigerador-congelador.
- **PELIGRO o ADVERTENCIA:** Riesgo de que los niños queden atrapados.
- Que los niños queden atrapados y la asfixia no son problemas del pasado. Los refrigeradores-congeladores desechados o abandonados siguen siendo peligrosos...incluso si "solo se depositan en el garaje unos días".
- Antes de tirar su viejo refrigerador-congelador: Quítele las puertas. Deje los estantes en su lugar para que los niños no puedan subir fácilmente.
- Nunca permita que los niños pongan en funcionamiento, jueguen o se metan dentro del refrigerador-congelador.
- Nunca limpie las partes del refrigerador-congelador con fluidos inflamables. Los humos ocasionados pueden crear un riesgo de incendio o explosión.
- No almacene ni use gasolina u otros vapores y líquidos inflamables cerca de este o cualquier otro refrigerador-congelador. Los humos pueden crear un peligro de incendio o explosión.
Este electrodoméstico no está diseñado para ser utilizado por personas (incluidos niños) con capacidades físicas, sensoriales o mentales reducidas, o falta de experiencia y conocimiento, a menos que hayan recibido supervisión o instrucciones sobre el uso del electrodoméstico por parte de una persona responsable de su seguridad.
- Los niños deben ser supervisados para asegurarse de que no jueguen con el aparato.
- Para evitar riesgos, si el cable de alimentación está dañado, debe ser reemplazado por el fabricante, su agente de servicio o una persona calificada similar.
- No almacene en este artefacto ninguna sustancia explosiva, como latas de aerosol con un propulsor inflamable.
- **ADVERTENCIA:** Mantenga las aberturas de ventilación, en el gabinete del electrodoméstico o en su estructura incorporada, sin obstrucciones.
- **ADVERTENCIA:** No utilice dispositivos mecánicos u otros medios para acelerar el proceso de descongelación, que no sean los recomendados por el fabricante.
- **ADVERTENCIA:** no dañe el circuito de refrigeración.
- **ADVERTENCIA:** No use aparatos eléctricos dentro de los compartimentos de almacenamiento de alimentos de este electrodoméstico, a menos que sean del tipo recomendado por el fabricante.
- Este electrodoméstico está diseñado para usarse en hogares o espacios domésticos similares como áreas de cocina de personal en tiendas, oficinas y otros entornos de trabajo; casas rurales, hoteles, moteles y otros entornos residenciales; hosterías tipo B&B (cama y desayuno); catering y otros servicios mayoristas similares.

-Conserve estas instrucciones-

INSTRUCCIONES DE INSTALACIÓN

➤ Antes de utilizar su electrodoméstico

- Quite el embalaje exterior e interior.
- Asegúrese de tener todas las siguientes partes:

1	(6) Seis compartimentos en la puerta del refrigerador	5	(2) Dos gavetas para verduras con tapa de vidrio.
2	(2) Dos estantes de refrigerador	6	(2) Dos cajones de congelador
3	(1) Una luz de refrigerador	7	(1) Un kit para fabricar hielo dentro del cajón
4	(1) Una luz LED de refrigerador	8	(1) Un cajón de plástico dentro del cajón

- Antes de conectar el artefacto a la fuente de alimentación, déjelo en posición vertical durante aproximadamente 2 horas. Esto reducirá la posibilidad de un mal funcionamiento en el sistema de refrigeración debido a la manipulación durante el transporte.
- Limpie la superficie interior con agua tibia utilizando un paño suave.

➤ Instalación de su electrodoméstico

- Coloque su refrigerador-congelador en un piso que sea lo suficientemente fuerte como para soportar el refrigerador-congelador cuando esté completamente cargado. Para nivelar su refrigerador-congelador, ajuste las patas niveladoras en la parte inferior de la unidad.

• DEJE ENTRE 3-5 PULGADAS DE ESPACIO ENTRE LA PARTE POSTERIOR Y LA PARED, ASÍ COMO UN MÍNIMO DE ½ ”(MEDIA PULGADA) EN CADA LADO DE LA UNIDAD Y UNA (1) PULGADA EN LA PARTE SUPERIOR, PARA PERMITIR UNA CIRCULACIÓN DE AIRE ADECUADA Y PARA PERMITIR QUE SE ENFRÍE EL COMPRESOR Y EL CONDENSADOR.

Espacios mínimos requeridos	
Parte superior	Una (1.0) pulgada
Lados	Media (½) pulgada de cada lado
Parte posterior	De tres a cinco (3 - 5) pulgadas en la parte posterior

- Ubique el artefacto lejos de la luz solar directa y de las fuentes de calor (estufa, calentador, radiador, etc.). La luz solar directa puede afectar el recubrimiento acrílico y las fuentes de calor pueden aumentar el consumo eléctrico. Las temperaturas ambiente extremadamente frías también pueden hacer que el refrigerador-congelador no funcione correctamente.
- Evite ubicar el artefacto en áreas húmedas.
- Enchufe la unidad en un tomacorriente exclusivo con conexión a tierra instalado correctamente. Bajo ninguna circunstancia corte ni retire la tercera clavija (a tierra) del cable de alimentación. Para cualquier pregunta relacionada con la alimentación y/o la conexión a tierra debe dirigirse a un electricista certificado o a un centro de servicio autorizado de productos FORNO.

➤ Alarma de la puerta

- ✘ El electrodoméstico está equipado con una alarma automática que indica que una de las puertas está abierta por un período de tiempo más prolongado.
- 1. Si se abre una de las puertas durante más de 1 minuto, suena una señal acústica de advertencia.
- 2. Si la puerta se abre por un período más prolongado, la señal acústica de advertencia sonará tres veces por 30 segundos.

- ⚠ La alarma de la puerta **también** se puede apagar permanentemente cerrando la puerta correspondiente.
- ⚠ Para ahorrar energía, se debe evitar una apertura prolongada de las puertas.

Conexión eléctrica

⚡ Advertencia ⚡

El uso incorrecto del enchufe con conexión a tierra puede provocar un riesgo de descarga eléctrica. Si el cable de alimentación está dañado, hágalo reemplazar en un centro de servicio autorizado de productos FORNO.

Para su seguridad, este electrodoméstico debe estar debidamente conectado a tierra. El cable de alimentación de este electrodoméstico está equipado con un enchufe de tres clavijas que se acopla a tomacorrientes estándar de tres clavijas para minimizar la posibilidad de descarga eléctrica.

Bajo ninguna circunstancia corte ni retire la tercera clavija (de tierra) del cable de alimentación suministrado.

Este electrodoméstico requiere un tomacorriente estándar de 115Volts ~ / 60Hz con conexión a tierra de tres clavijas.

El cable debe asegurarse que quede detrás del aparato y no dejarlo expuesto o colgando para evitar lesiones accidentales.

Nunca desenchufe el aparato tirando del cable de alimentación. Sujete siempre el enchufe con firmeza y tire directamente del receptáculo.

No use un cable de extensión con este aparato. Si el cable de alimentación es demasiado corto, haga que un electricista calificado o un técnico de servicio instale un tomacorriente cerca del electrodoméstico.

CABLE DE EXTENSIÓN

Debido a los posibles riesgos de seguridad que se pueden dar bajo ciertas condiciones, se recomienda fuertemente no usar un cable de extensión con este artefacto. Sin embargo, si debe usar un cable de extensión, es absolutamente necesario que sea un cable de extensión de 3 clavijas con conexión a tierra con certificación UL / CUL que tenga un enchufe y un tomacorriente con conexión a tierra y que la clasificación eléctrica del cable sea de 115 voltios y al menos 10 amperios.

PROTECTOR CONTRA SOBRETENSIONES

La mayoría de los aparatos eléctricos utilizan una serie de placas eléctricas de control para funcionar. Estas placas son muy susceptibles a sobretensiones y podrían dañarse o destruirse.

Si el aparato va a ser utilizado en un área, ciudad/país que es propenso a sobretensiones/cortes de energía; se sugiere que use un protector contra sobretensiones para todos los dispositivos/artefactos eléctricos que use. El protector de sobretensiones que seleccione debe tener un bloque de sobrevoltaje lo suficientemente alto como para proteger el dispositivo al que está conectado. Si tiene alguna pregunta sobre el tipo y el tamaño del protector contra sobretensiones necesario, comuníquese con un electricista autorizado en su área.

Los daños ocasionados por sobretensiones no se consideran un defecto cubierto por el fabricante y anularán la garantía de su producto.

Máquina de hielo

Esta máquina de hacer de hielo funciona automáticamente (autoabastecimiento de agua, producción y separación de cubos de hielo), sin necesidad de suministrar agua manualmente. Cuando el recipiente para almacenar cubos de hielo está lleno, el sensor enviará automáticamente una señal a la máquina para que deje de fabricar hielo.



- No meta la mano en la parte mecánica de la máquina de hielo (encima de la bandeja para hacer hielo.) De lo contrario, pueden producirse lesiones.
- Para evitar descargas eléctricas, que pueden causar la muerte o lesiones personales graves, desconecte el refrigerador de la corriente eléctrica antes de conectarlo a una línea de suministro de agua.



- El kit de la máquina de hielo debe ser instalado solamente por un técnico de servicio autorizado.
- Conecte la máquina de hielo a un suministro de agua potable solamente.
- NO instale tuberías de suministro de agua en áreas donde las temperaturas puedan bajar por debajo del punto de congelación.
- Si el suministro de agua es desde un filtro descalcificador de agua, asegúrese de que funcione y sea mantenido correctamente. Los productos químicos de un filtro descalcificador que funciona mal pueden dañar la máquina de hielo.

➤ **Consejos**

- Si la máquina de hielo va a ser apagada por un período prolongado, gire la válvula de suministro de agua en la posición "cerrado".
- Apague la máquina de hielo cuando limpie el congelador o durante un período corto de vacaciones.
- La máquina de hielo tarda aproximadamente 24 horas en comenzar a producir cubos de hielo normales. El aire en las nuevas tuberías de agua puede hacer que la máquina de hielo tenga que hacer el ciclo dos o tres veces antes de hacer una bandeja llena de hielo. Las tuberías nuevas pueden hacer hielo descolorido o de mal sabor durante las primeras 24 horas.

➤ **Elaboración de los cubos de hielo**

- Asegúrese de desconectar el refrigerador de la corriente eléctrica antes de conectarlo a una línea de suministro de agua, tal como lo indica el manual de instalación. Después de que la conexión del suministro de agua se haya realizado correctamente, conecte el refrigerador a la fuente de alimentación eléctrica.
- La máquina de hielo está predeterminada en modo "desactivado" (OFF). Será necesario configurar su activación (ON), de acuerdo con el diagrama de funcionamiento en la cubierta frontal de la máquina.
- El tiempo de fabricación de hielo podrá variar según la temperatura ambiente, el tipo de agua, la cantidad y temperatura del agua dentro de la bandeja de fabricación de hielo, así como el estado de la máquina de hielo.
- El tamaño del cubo de hielo podrá variar dependiendo de la cantidad de agua dentro de la caja de almacenamiento de hielo.
- Los cubos de hielo se pegarán o se volverán más pequeños si se almacenan durante mucho tiempo.
- Tenga cuidado de no lastimar su mano al romper los cubos de hielo que se pegan.

➤ **Antes de instalar la línea de suministro de agua, usted necesitará:**

- ADVERTENCIA: Conectar únicamente a un suministro de agua potable.
- El acceso a una línea de agua fría en su hogar con presión de agua entre 30 y 100 psi (2 y 6,9 bar).
- Una válvula de cierre para conectar la línea de suministro de agua al sistema de agua de su hogar. NO use una válvula de cierre de tipo autopercutor.

➤ **Para conectar el suministro de agua a la válvula de entrada de la máquina de hielo.**

- Desconecte el refrigerador de la corriente eléctrica.
- Retire todos los accesorios de instalación (tubería de agua, conector, arandela, pinza) del interior del refrigerador.
- Apriete todas las conexiones donde pueda haber fugas, active el suministro de agua desde la válvula de cierre.
- Reconecte el refrigerador a la corriente eléctrica.
- Para encender la máquina de hielo, descienda el brazo de activación. (Referirse a la cubierta frontal de la máquina de hielo para las posiciones de encendido y apagado del brazo de activación).

Consejos

La máquina de hielo sólo funciona cuando sus sensores detectan una temperatura ambiente de -13°C.

Luego de conectar el refrigerador por primera vez, entre las siguientes 8-24 horas (dependiendo de la cantidad de comida almacenada en el refrigerador), la máquina de hielo comenzará a funcionar normalmente cuando esté en la posición de encendido (ON). Luego de 72 horas de funcionamiento continuo, la caja de almacenamiento estará llena de cubitos de hielo.

FUNCIONAMIENTO DE SU ELECTRODOMÉSTICO

Modo Sabbath

1. Cómo ingresar al modo Sabbath:

cuando el congelador esté abierto, mantenga presionado el botón "Frigorífico" + el botón "Bloquear" durante 10 segundos;

2. En modo Sabbath:

a, No hay alarma de apertura de puerta;

b, Las luces LED en el compartimiento del refrigerador y del congelador están apagadas;

c, El panel de visualización no se mostrará a menos que sea ajustado por el hombre;

*En el modo Sabbath, seguirá mostrando y emitiendo luz después de tocar el panel, pero se apagará después de esperar 20 segundos sin operación o después de abrir y cerrar la puerta una vez.

d, El refrigerador satisface la demanda de refrigeración normal;

3. Cómo salir del modo Sabbath:

a, Cuando el congelador esté abierto, mantenga presionado el botón "Fridge" + el botón "Lock" durante 10 segundos para salir manualmente;

b, Cuando el tiempo de trabajo del modo Sabbath exceda las 80 horas, saldrá automáticamente.

FUNCIONAMIENTO DE SU ELECTRODOMÉSTICO



Cuando se enciende, el valor predeterminado de los grados es en Fahrenheit. Presione el botón "MODE" durante 5 segundos para cambiar entre °C y °F. Otros botones usan el mismo método para cambiar entre dos modos.

Establecer el rango de temperatura: Modo Grado Celsius

1. Rango de temperatura del refrigerador: 0 ~ 6°C (valor predeterminado 3°C)
2. Rango de temperatura del congelador: -23 ~ -15°C (Valor predeterminado -19°C)

Establecer el rango de temperatura: Modo Grado Fahrenheit

1. Rango de temperatura del refrigerador: 32 ~ 43°F (valor predeterminado 38°F)
2. Rango de temperatura del congelador: -10 ~ 5°F (valor predeterminado -2°F)

• PANEL DE CONTROL – BLOQUEO PARA NIÑOS

El BLOQUEO DEL PANEL DE CONTROL está diseñado para evitar cualquier cambio en la configuración del refrigerador.

Para habilitar el BLOQUEO PARA NIÑOS, presione el botón BLOQUEO, el icono de BLOQUEO PARA NIÑOS se encenderá.

El panel de control permanecerá bloqueado hasta que se desbloquee en el panel de control o haya un corte de energía.

Para deshabilitar el BLOQUEO PARA NIÑOS, presione y mantenga presionado el botón de bloqueo durante aproximadamente 3 segundos hasta que el icono de BLOQUEO se apague y el panel de control funcione en modo normal.

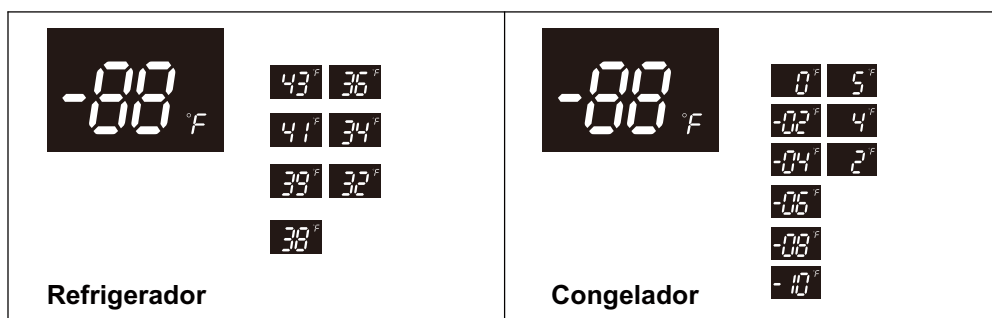
• PANEL DE CONTROL - EN ESPERA

El PANEL DE CONTROL se apagará después de aproximadamente 20 segundos sin actividad.

Para reactivar la pantalla, simplemente presione cualquiera de los botones en el panel de control.

➤ **Configuración del control de la temperatura**

- Su unidad tiene un control para regular la temperatura. El control de temperatura se encuentra en el exterior de la puerta del compartimiento del refrigerador.
- La primera vez que encienda el electrodoméstico, éste arrancará a la temperatura predeterminada establecida en fábrica, 38°F en la sección del refrigerador y -02°F en la sección del congelador.
- La primera vez que encienda el electrodoméstico, ajuste la temperatura en el compartimiento del refrigerador a 34°F y hágalo funcionar durante al menos durante 4 horas antes de colocar los alimentos dentro. Esto asegurará que el compartimiento del congelador estará completamente frío y que el compartimiento del refrigerador estará estabilizado antes de colocar los alimentos. Luego ajuste la temperatura a la configuración deseada que mejor se adapte a sus necesidades.
- Para ajustar la temperatura, presione el botón de zona apropiado y la zona seleccionada parpadeará. La temperatura cambiará de acuerdo con las temperaturas preestablecidas como se muestra a continuación, y escuchará un timbre cada vez que presione los botones del panel de control.



FUNCIONES PREPROGRAMADAS:

- **MODO CONGELAMIENTO RÁPIDO**



Este modo configurará la temperatura del congelador a -10°F para una baja rápida de la temperatura cuando se almacenan en el congelador grandes cantidades de alimentos calientes o a temperatura ambiente.

El artefacto permanecerá en modo de CONGELAMIENTO RÁPIDO durante 24 horas o hasta que la temperatura alcance los -10°F o luego volverá a la configuración original o hasta que la función se apague en el panel de control. Los modos ENFRIAMIENTO RÁPIDO como CONGELAMIENTO RÁPIDO pueden ejecutarse juntos al mismo tiempo.

Para habilitar el modo CONGELAMIENTO RÁPIDO, presione el botón de función hasta que se ilumine el icono CONGELAMIENTO RÁPIDO. El icono permanece iluminado cuando se activa.

Para deshabilitar el modo CONGELAMIENTO RÁPIDO, presione el botón de función hasta que se apague el icono CONGELAMIENTO RÁPIDO.

- **MODO ENFRIAMIENTO RÁPIDO**



Este modo configurará la temperatura del refrigerador a 32°F para una baja rápida de la temperatura cuando se almacenan en el refrigerador alimentos calientes o a temperatura ambiente.

El artefacto permanecerá en modo ENFRIAMIENTO RÁPIDO por 2 horas y 30 minutos o hasta que la temperatura alcance los 32°F y luego volverá a su configuración original o hasta que la función se apague en el panel de control. Los modos ENFRIAMIENTO RÁPIDO como CONGELAMIENTO RÁPIDO pueden ejecutarse juntos al mismo tiempo.

Para habilitar el modo ENFRIAMIENTO RÁPIDO, presione el botón de función hasta que se ilumine el icono ENFRIAMIENTO RÁPIDO. El icono permanece iluminado cuando se activa.

Para deshabilitar el modo ENFRIAMIENTO RÁPIDO, presione el botón de función hasta que se apague el icono ENFRIAMIENTO RÁPIDO.

- **MODO VACACIONES**



Use este modo cuando se ausente por largos períodos de tiempo, vaciando la gran mayoría del contenido de la sección del refrigerador, pero dejando el contenido del congelador.

El modo VACACIONES configura automáticamente la sección del refrigerador a 43°F y la sección del congelador a 5°F. El artefacto permanecerá en el MODO VACACIONES hasta que se desactive en el panel de control.

Para habilitar el modo VACACIONES, presione el botón de función hasta que se ilumine el icono VACACIONES. El icono permanece iluminado cuando se activa.

Para deshabilitar el modo VACACIONES, presione el botón de función hasta que se apague el icono VACACIONES.

NOTA:

- SI EL ELECTRODOMÉSTICO ESTÁ DESENCUFADO, HA TENIDO UN CORTE DE ENERGÍA O SE APAGA, DEBE ESPERAR DE 3 A 5 MINUTOS ANTES DE REINICIARLO. SI INTENTA REINICIARLO ANTES DE ESTE TIEMPO, EL REFRIGERADOR-CONGELADOR NO ENCENDERÁ.

NOTA:

NO RECOMENDAMOS LA INSTALACIÓN DEL REFRIGERADOR DONDE LA TEMPERATURA PUEDA BAJAR A MENOS DE 32°F (0°C) O SEA SUPERIOR A LOS 110°F (43°C). EL COMPRESOR NO PODRÁ MANTENER LAS TEMPERATURAS ADECUADAS DENTRO DEL REFRIGERADOR.

PARA INSTALACIONES EN LAS QUE LAS TEMPERATURAS PUEDEN ESTAR POR DEBAJO DE 32°, COLOQUE EL CONTROL DE TEMPERATURA DEL CONGELADOR A LA CONFIGURACIÓN “MÁS FRÍA”. ESTO MEJORARÁ EL FUNCIONAMIENTO DEL REFRIGERADOR BAJO ESTAS CONDICIONES.

CUIDADO Y MANTENIMIENTO

➤ **Limpieza de su electrodoméstico**

- Desenchufe el artefacto y retire los alimentos y las canastas.
- Lave el interior con agua tibia y una solución de bicarbonato de sodio. La solución debe ser de aproximadamente 2 cucharadas de bicarbonato de sodio por cada litro de agua.
- Lave las canastas con una solución de detergente suave.
- El exterior del artefacto debe limpiarse con detergente suave y agua tibia.

PRECAUCIÓN

Si no desconecta el refrigerador-congelador, usted podría sufrir una descarga eléctrica o lesiones personales.

➤ **Falla de energía**

La mayoría de las fallas de energía se corrigen en unas pocas horas y no deberían afectar la temperatura de su refrigerador-congelador si minimiza la cantidad de veces que se abre la puerta. Si la electricidad va a estar apagada durante un período de tiempo más largo, debe tomar las medidas adecuadas para proteger sus alimentos.

➤ **Periodo de vacaciones**

Vacaciones cortas: Deje el artefacto funcionando durante vacaciones de menos de tres semanas.

Vacaciones largas: Si el electrodoméstico no va a ser usado por varios meses, quite todos los alimentos y desenchúfelo. Limpie y seque el interior a fondo. Para evitar olores y humedad, deje la Puerta ligeramente abierta, bloqueándola para que no se cierre, si es necesario.

➤ **Traslado de su electrodoméstico**

- Retire toda la comida.
- Asegure con cinta adhesiva todos los artículos sueltos dentro del artefacto.
- Gire los tornillos niveladores hacia la base para evitar daños.
- Asegure con cinta adhesiva la puerta cerrada.
- Asegúrese de que el artefacto permanezca en posición vertical durante el transporte.

➤ **Consejos de ahorro de energía**

- El artefacto debe ubicarse en el área más fresca de la habitación, lejos de aparatos que produzcan calor o calefacción, y fuera de la luz solar directa.
- Deje que los alimentos calientes se enfríen a temperatura ambiente antes de colocarlos en el electrodoméstico. La sobrecarga del aparato obliga al compresor a funcionar por más tiempo. Los alimentos que se congelan muy lentamente pueden perder calidad o echarse a perder.
- Asegúrese de envolver los alimentos adecuadamente y de secar cada recipiente antes de colocarlos en el electrodoméstico. Esto reduce la acumulación de escarcha dentro del congelador.
- Organice y etiquete los alimentos para reducir las aberturas de las puertas y las búsquedas prolongadas. Retire todos los ítems que esta necesitando de una sola vez y cierre la puerta lo antes posible.

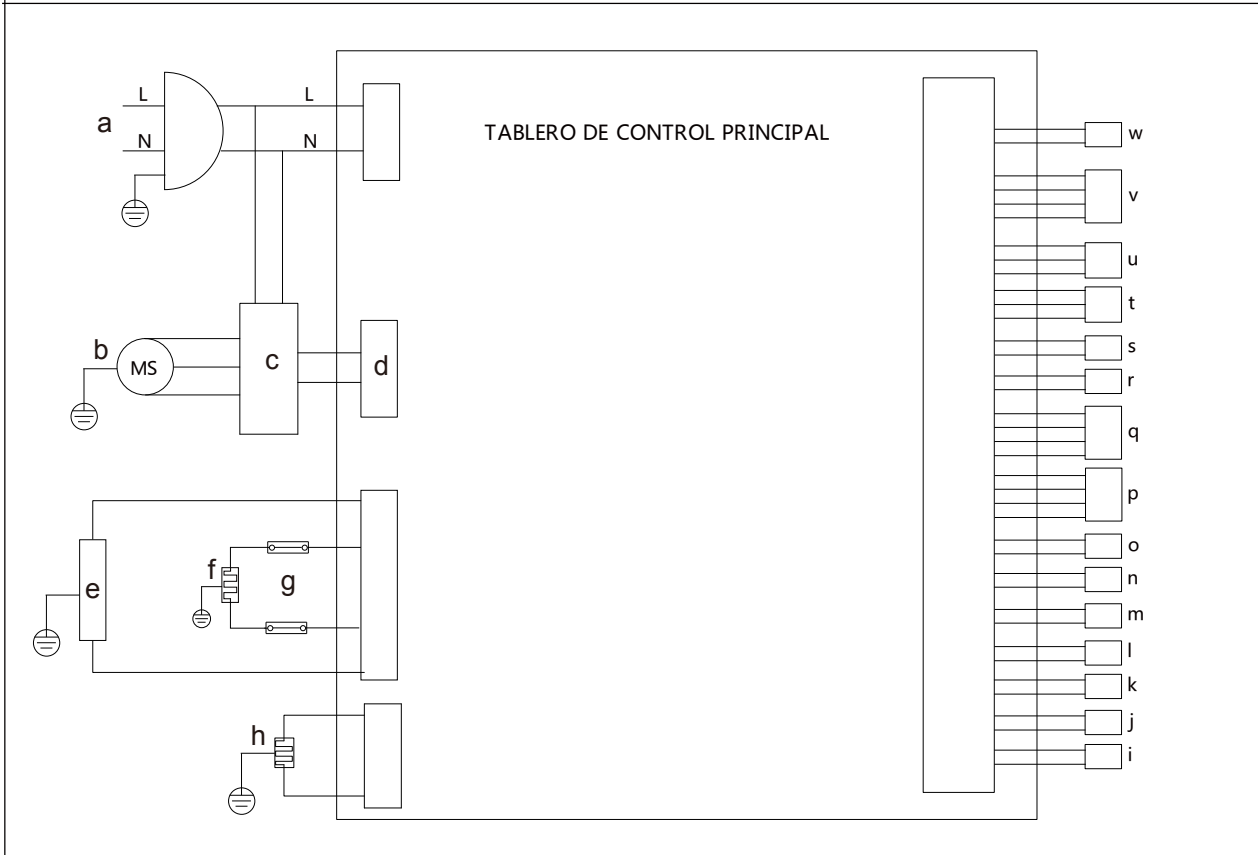
➤ ¿PROBLEMAS CON SU ELECTRODOMÉSTICO?

Usted puede resolver fácilmente muchos problemas comunes del refrigerador-congelador, ahorrándose el costo de una posible llamada al servicio técnico. Consulte las sugerencias a continuación para ver si puede resolver el problema antes de solicitar un servicio.

GUÍA DE SOLUCIÓN DE PROBLEMAS

PROBLEMA	POSIBLE CAUSA
El artefacto no funciona.	No está enchufado. El disyuntor se disparó o hay un fusible quemado.
El compresor se enciende y apaga con frecuencia.	La temperatura ambiente es más caliente que lo habitual. Una gran cantidad de comida ha sido colocada en el refrigerador-congelador. La puerta se ha abierto con mucha frecuencia. La puerta no está cerrada completamente. El control de temperatura no fue configurado correctamente. La junta de la puerta no sella apropiadamente. El refrigerador-congelador no tiene los espacios libres adecuados.
Vibraciones.	Asegúrese de que el refrigerador-congelador esté nivelado.
El artefacto parece hacer mucho ruido.	El ruido de traqueteo puede provenir del flujo del refrigerante, lo cual que es normal. A medida que finaliza cada ciclo, es posible que escuche sonidos de gorgoteo causados por el flujo de refrigerante en su refrigerador-congelador. La contracción y expansión de las paredes internas pueden causar ruidos y crujidos. El artefacto no está nivelado.
La puerta no cierra correctamente.	El artefacto no está nivelado. La puerta está invertida y no está instalada correctamente. La junta está sucia. Los canastos o cajones están fuera de posición.
El separador de secciones se siente cálido al tacto.	Esto es normal. El área del separador de secciones contiene un calentador anti condensación y estará caliente al tacto durante el ciclo de anti condensación para evitar que se forme condensación entre las dos secciones.

DIAGRAMA DE CABLEADO



a	ENCHUFE	i	INTERRUPTOR DE LA PUERTA FRONTAL INFERIOR
b	COMPRESOR	j	INTERRUPTOR DE LA PUERTA FRONTAL SUPERIOR
c	CONVERSOR DE FRECUENCIA	k	INTERRUPTOR DE LA PUERTA DERECHA (R)
d	SEÑAL	l	INTERRUPTOR DE LA PUERTA IZQUIERDA (R)
e	KIT DE LA MÁQUINA DE HIELO	m	SENSOR DEL DESCONGELADOR
f	CALENTADOR DEL DESCONGELADOR	n	SENSOR DEL CONGELADOR
g	PROTECTOR	o	SENSOR DEL REFRIGERADOR
h	CABLE CALENTADOR DE LA VIGA ABATIBLE	p	SENSOR DE TEMPERATURA Y HUMEDAD
q	PANTALLA	u	VENTILADOR DEL CONDENSADOR
r	LUZ DEL CONGELADOR	v	MOTOR PASO A PASO
s	LUZ DEL REFRIGERADOR	w	CALENTADOR DE LA CAÑERÍA DE AGUA
t	VENTILADOR DEL CONGELADOR		