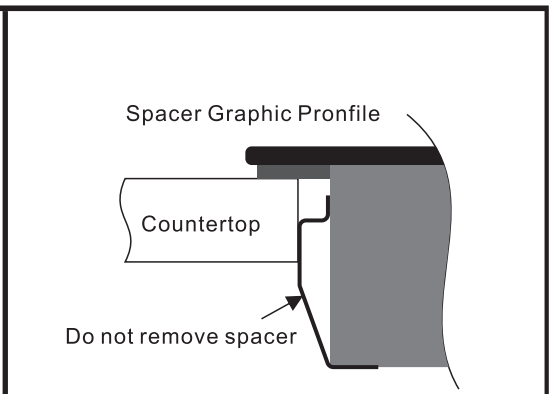


**CAUTION**  
 It is very important to keep 2 3/4" (70mm) distance between the cooktop and the oven.

**Note:** do not put a divider between the oven and cooktop



**NOTE:** The cooktops include spacers on both sides to ensure proper airflow once installed. Do not remove the spacers.