



30 INCH FREESTANDING GAS RANGE

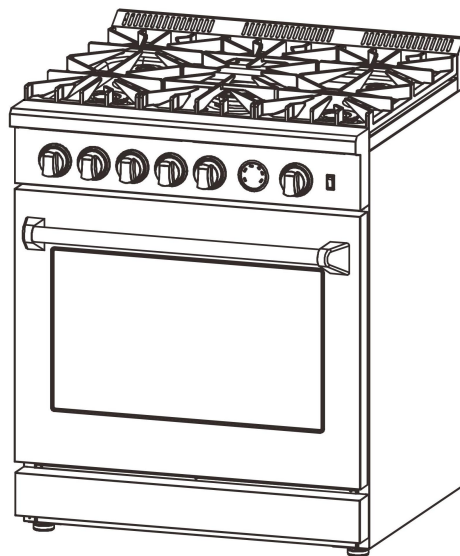


Conforms to ANSI STD Z21.1-2018 Certified to CSA STD 1.1-2018 Household Cooking Gas Appliances.

INSTALLATION GUIDE

SPECIFICATIONS, INSTALLATION, AND MORE

MODEL NUMBERS: FFSGS6276-30



Index


Consumer information.....	1
ANTI-TIP DEVICE.....	2
IMPORTANT SAFETY INFORMATION.....	3
Features of Your Range.....	7
INSTALLATION INSTRUCTIONS.....	8
Cooktop Burner Grills Installation.....	10
Handle installation guide.....	10
Electrical indication.....	11
Electric Power Supply Requirements.....	12
Gas Supply.....	12
Pressure regulator.....	12
Gas Shut-off Valve.....	13
Product Dimensions and Cabinets.....	13
Exhaust Hood Installation.....	15
Gas Conversion Operation.....	16
Gas Supply Connection.....	23
Cooktop Operation.....	23
Oven Operation.....	26
Oven Cleaning Tips.....	28
Steam clean.....	28
Oven thermostat and temperature gauge.....	28
Care and Maintenance Recommendations.....	28
Troubleshooting Tips.....	29
Wire diagram.....	30

Consumer information

Range Safety

Your safety and the safety of others are very important.

This cooking range Conforms to ANSI STD Z21.1-2018 Certified to CSA STD 1.1-2018 Household Cooking Gas Appliances. We have provided many important safety messages in this manual and on your appliance. Always read and obey all safety messages.

	This is a safety alert symbol. It will alert you to potential personal or property safety hazards. Obey all safety messages to avoid any property damage, personal injury or death.
⚠️ WARNING	Before using this cooker range, make sure to conduct leakage testing on all connections by using soapy water solutions. Fail to do so may cause potential personal or property safety hazards.
⚠️ WARNING	WARNING indicates a potentially hazardous situation which, if not avoided, could result in serious injury or death.
⚠️ CAUTION	CAUTION indicates a moderate hazardous situation which, if not avoided, could result in minor or moderate injury. All safety messages will alert you what the potential hazard is, tell you how to reduce the chance of injury, and let you know what can happen if the instructions are not followed.

⚠️ WARNING

If the information in this manual is not followed exactly, a fire or explosion may result, causing property damage, personal injury or death.

Do not store or use gasoline or other flammable vapors and liquids in the vicinity of this or any other appliance.

- WHAT TO DO IF YOU SMELL GAS

- Do not try to light any appliance.
- Do not touch any electrical switch.
- Do not use any phone in your building.
- Immediately call your gas supplier from a neighbor's phone. Follow the gas supplier's instructions.
- If you cannot reach your gas supplier, call the fire department.

Installation and service must be performed by a qualified installer, service agency or the gas supplier.

ANTI-TIP DEVICE

⚠️ WARNING



Tip-over Hazard

A Child or adult can tip the range which can result in serious injuries or death.
 Install the anti-tip device to the range and/or structure per installation instructions.
 Engage the range to the Anti-tip device installed to the structure.
 Re-engage the anti-tip device if the range is removed.
 Failure to follow these instructions can result in death or serious injuries and/or burns to children and adults.

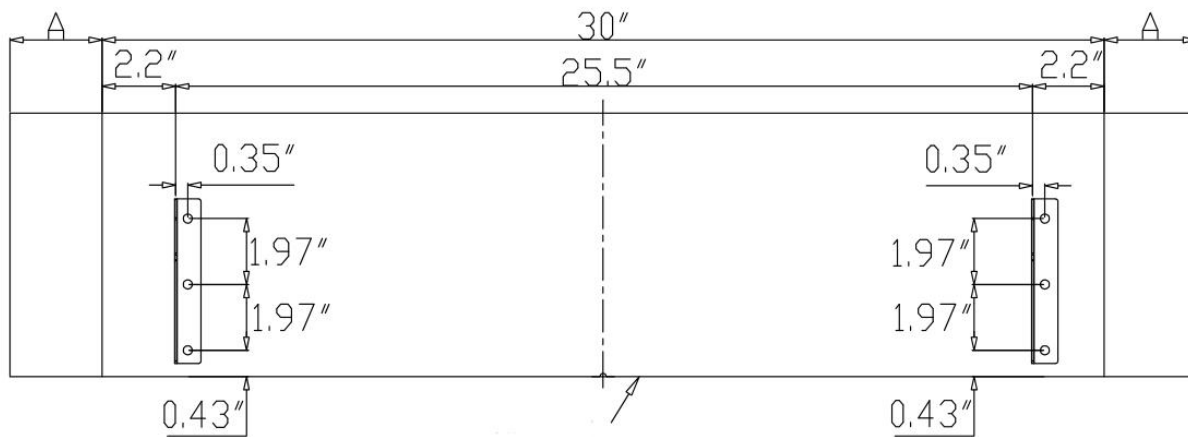
To reduce the risk of tipping the range, the range must be secured by properly installed anti-tip device packed with the range. See installation instructions shipped with the bracket for complete details before attempting to install.

All ranges can tip and cause injuries.

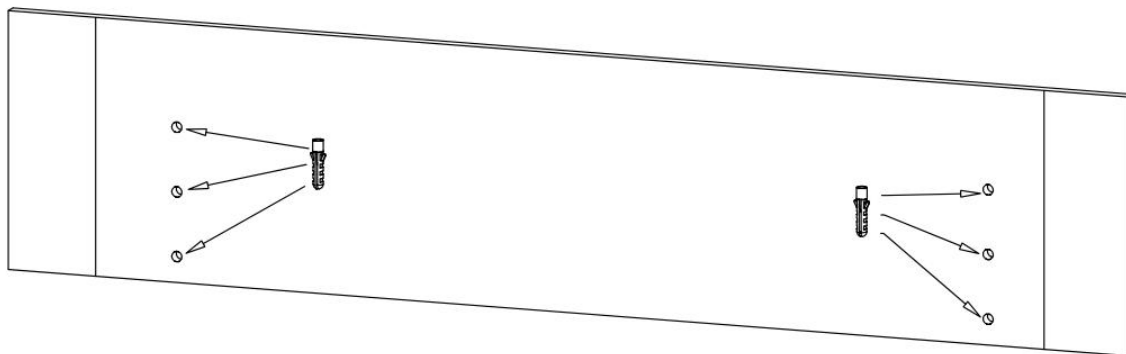
Installing the anti-tip bracket

1. Drill 6 holes on the wall with correct sizes according to below table:

Wall Type	Hole diameter
Wooden wall	0.1"
Concrete wall	0.31"

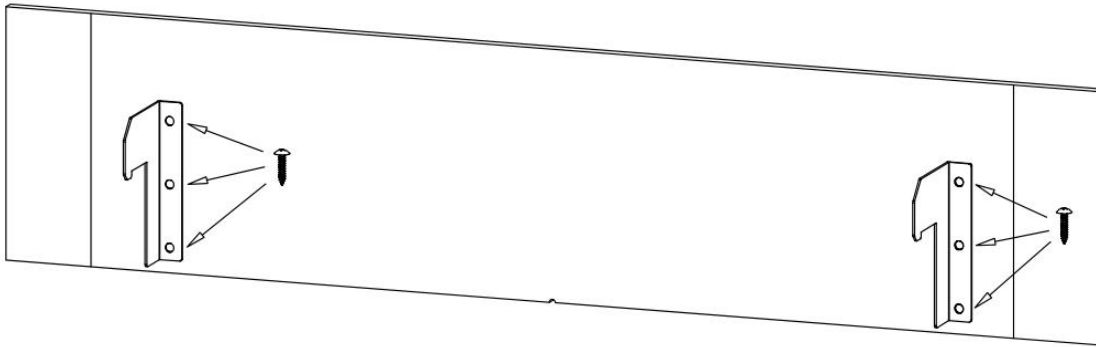


2. Please find the plastic sleeves in the part bag and put them inside the holes of the wall.

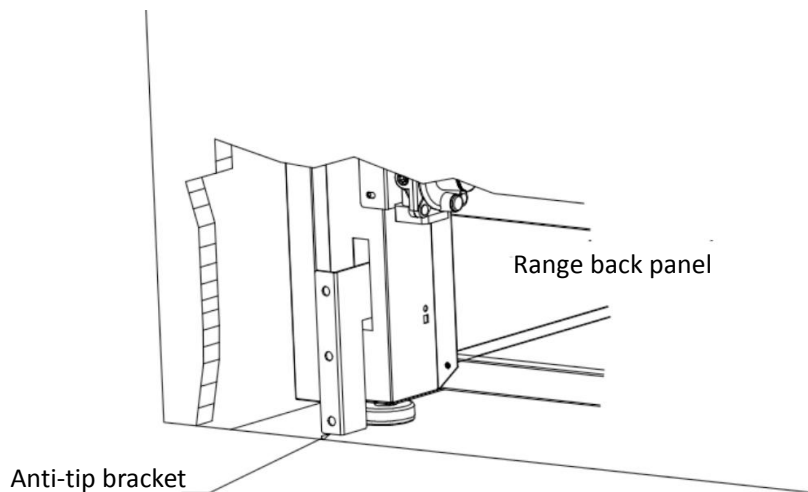


3. Please find the anti-tip plates in the part bag and fix them on the wall by the screws. Make sure the anti-tip bracket is

securely attached to the wall.



4. Slide the range forward to the anti-tip bracket, make sure the anti-tip bracket insert into two holes on the range back panel.



IMPORTANT SAFETY INFORMATION

READ ALL INSTRUCTIONS BEFORE USING THE APPLIANCE

⚠️ WARNING

Read all safety instructions before using the product. Failure to follow these instructions may result in fire, electrical shock, serious injury or death.

GENERAL SAFETY INSTRUCTIONS

⚠️ WARNING

NEVER use this appliance as a space heater to heat or warm the room. Doing so may result in carbon monoxide poisoning and overheating of the oven.

1. Use this range for its intended purpose as described in this instruction manual.
2. Have your range installed and properly grounded by a qualified installer in accordance with the provided installation instructions.
3. Any adjustment and service should be performed only by a qualified gas range installer or service technician. Do not attempt to repair or replace any part of your range unless it is specifically recommended in this manual.
4. Your range is shipped from the factory set for use with natural gas or propane (LP) gas. It can be converted for use with either. If required, these adjustments must be made by a qualified technician in accordance with the installation instructions and local codes. The agency performing this work assumes responsibility for the conversion.
5. Have the installer show you the location of the range gas shut-off valve and how to turn it off if necessary.
6. Plug your range into a 110/120 volt grounded outlet only. Do not removed the round grounding prong from the plug. If in

doubt about the grounding of the home electrical system, it is your responsibility and obligation to have an ungrounded outlet in accordance with the National Electrical Code. Do not use an extension code with this range.

7. Before performing any service, unplug the range or disconnect the power supply at the household distribution panel by removing the fuse or switching off the circuit breaker.

8. Be sure all packing materials are removed from the range before operating to prevent ignition of these materials.

9. Avoid scratching or impacting glass displays. Doing so may lead to glass breakage. Do not cook on a product with broken glass. Shock, fire, or cuts may occur.

10. Do not leave children alone or unattended in an area where an appliance is in use. They should never be allowed to climb, sit or stand on any part of the range.

11. **⚠CAUTION** Do not store items of interest to children in cabinets above an oven-children who climb onto the oven to reach items could be seriously injured.

12. Never block the vents (air openings) of the range. They provide the air inlets and outlets that are necessary for the range to operate properly with correct combustion. Air openings are located at the rear of the cooktop, at the top and bottom of the oven door, and at the bottom of the range.

13. Use only dry pot holders--moist or damp pot holders on hot surfaces may result in burns from steam. Do not let pot holders touch surface burners, burner grate, or oven heating element. Do not use a towel or other bulky fabrics in place of pot holders.

14. Do not touch the heating elements or the interior surface of the oven. These surfaces may be hot enough to burn even though they are dark in color. During and after use, do not touch, or let clothing or other flammable materials contact any interior area of the oven; allow sufficient time for cooling first. Other surfaces of the appliance may become hot enough to cause burns. Potentially hot surfaces include the burners, grates, oven vent opening, surfaces near the opening, crevices around the oven door, metal trim parts above the door, any back guard, or high shelf surface.

15. Do not heat unopened food containers. Pressure could build up and the container could burst, causing any injury.

⚠WARNING

Extremely Heavy.

Proper equipment and adequate manpower are needed when move the range to avoid personal injury or damage to the unit or the floor.

Failure to follow this advice may result in damage or personal injury.

⚠WARNING

DO NOT carry or lift the cooking range by holding the oven door handle or the control panel!



CORRECT



INCORRECT



INCORRET

⚠WARNING

Cook food thoroughly to help protect against foodborne illness. Minimum safe food temperature recommendations can be found at www.IsItDoneYet.gov and www.fsis.usda.gov. Use a food thermometer to take food temperatures and check

several locations.

Do not allow anyone to climb, stand or hang on the oven door, drawer or cooktop. They could damage the range or tip it over causing severe injury or death.

Keep the ventilator hood and grease filter clean to maintain good venting and to avoid grease fires. Turn the ventilator OFF in case of a fire or when intentionally "flaming" liquor or other spirits on the cooktop. The blower if in operation, could spread the flames.

⚠️ WARNING KEEP FLAMMABLE MATERIAL AWAY FROM THE RANGE

Failure to do so may result in fire or personal injury.

Do not store or use flammable materials in an oven or near the cooktop, including paper, plastic, pot holders, linens, wall coverings, curtains, drapes and gasoline or other flammable vapors and liquids.

Never wear loose-fitting or hanging garments while using the appliance. These garments may ignite if they contact hot surfaces causing severe burns.

Do not let cooking grease or other flammable materials accumulate in or near the range.

Grease in the oven or on the cooktop may ignite.

⚠️ WARNING IN THE EVENT OF A FIRE, TAKE THE FOLLOWING STEP TO

PREVENT INJURY AND FIRE SPREADING.

Do not use water on grease fires. Never pick up a flaming pan. Turn the controls off. Smother a flaming pan on a surface unit by covering the pan completely with a well-fitting lid, cookie sheet or flat tray. Use a multi-purpose dry chemical or foam-type fire extinguisher.

If there is a fire in the oven during baking, smother the fire by closing the oven door and turning the oven off or by using a multi-purpose dry chemical or foam-type fire extinguisher.

If there is a fire in the oven during self-clean, turn the oven off and wait for the fire to go out.

Failure to follow this instruction may result in severe burns.

⚠️ WARNING COOKTOP SAFETY INSTRUCTIONS

Never leave the surface burners unattended at medium or high heat settings. Foods, especially oily foods, may ignite resulting in fire that could spread to surrounding cabinets.

Never leave oil unattended while frying. If allowed to heat beyond its smoking point, oil may ignite resulting in fire that may spread to surrounding cabinets. Use a deep fat thermometer whenever possible to monitor oil temperature.

To avoid oil spillover and fire, use the minimum amount of oil when frying in a shallow pan and avoid cooking frozen foods with excessive amounts of ice.

Use proper pan size and avoid pans that are unstable or easily tipped. Select cookware that matches the size of the burner. Burner flames should be adjusted so that they do not extend beyond the bottom of the pan. Excessive flames may be hazardous.

When using glass/ceramic cookware, make sure it is suitable for cooktop use; others may break because of a sudden change in temperature.

To minimize the possibility of burns, ignition of flammable materials and spillage, cookware handles should be turned toward the center of the range without extending over nearby burners.

Do not use a wok with a round metal support ring. The ring may trap heat and block air to the burner resulting in a carbon monoxide hazard.

Do not attempt to lift the cooktop. Doing so may damage the gas tubing to the surface burners resulting in a gas leak and risk of fire.

Do not use aluminum foil to cover the grills or line any part of the cooktop. Doing so may result in carbon monoxide poisoning, overheating of the cooktop surfaces, or a potential fire hazard.

⚠️ WARNING OVEN SAFETY INSTRUCTIONS

NEVER cover any slots, holes, or passages in the oven bottom or cover an entire rack with materials such as aluminum foil or oven liners. Doing so blocks air flow through the oven and may cause carbon monoxide poisoning. Never place foil or oven liners on the oven bottom. They can trap heat causing risk of smoke or fire. Stand away from the range when opening the oven door. Escaping hot air or steam can cause burns to hands, face and/or eyes.

Never place cooking utensils, pizza or baking stones, or any type of foil or liner on the oven floor.

These items can trap heat or melt, resulting in damage to the product and risk of shock, smoke or fire.

Place oven racks in desired location while oven is cool. If the rack must be moved while the oven is hot, be careful to avoid touching hot surfaces.

Do not leave items such as paper, cooking utensils, or food in the oven when not in use. Items stored in an oven can ignite.

Do not leave items on the cooktop near the oven vent. Items may overheat resulting in a risk of fire or burns.

Never broil with the door open. Open-door broiling is not advised due to overheating of control knobs.

⚠️ WARNING

This product can expose you to chemicals including carbon monoxide, which is known to the State of California to cause developmental harm. For more information go to www.P65Warnings.ca.gov

To minimize exposure to these substances. Always operate this unit according the Owner's Manual, and ensure that you provide proper ventilation.

⚠️ WARNING

The installation must conform with local codes or, in the absence of local codes, with the National Fuel Gas Code, ANSI STD Z21.1-2018/NFPA 54 or, in Canada, the Natural Gas and Propane Installation Code, CSA B149.1."

& below label:

Warning

Never operate the top surface cooking section of the appliance unattended

Failure to follow this warning statement may result in fire, explosion or burn hazard that could cause property damage, personal injury or death.

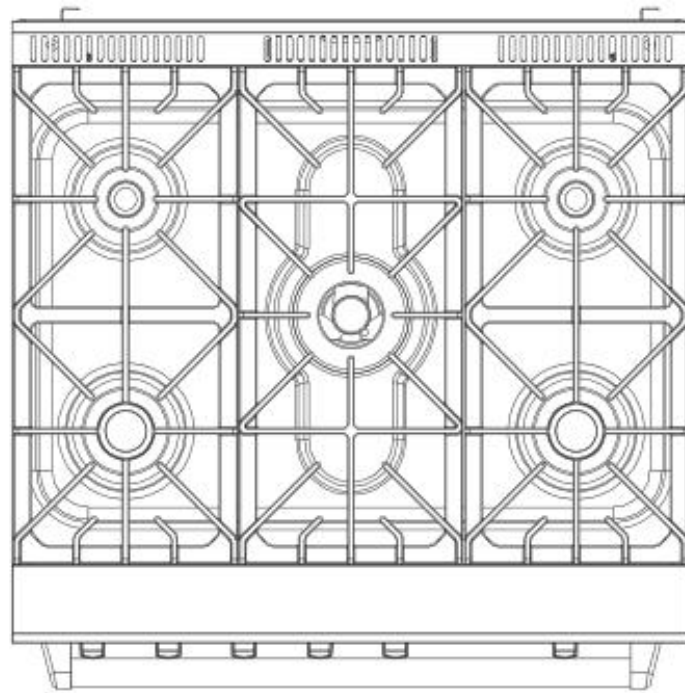
If a fire should occur, keep away from the appliance and immediately call your fire department.

DO NOT ATTEND TO EXTINGUISH AN OIL/GREASE FIRE WITH WATER

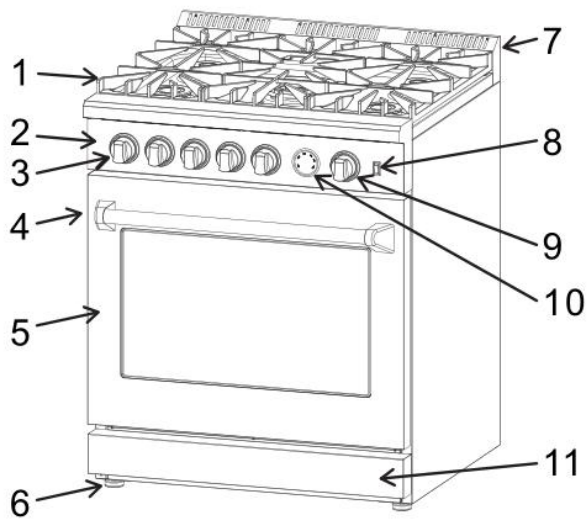
⚠️ WARNING

For fast exhausting the smell of "burning" or "oily" odor emitting from a new oven, turn the oven knob to "Broil" and run for 30 minutes before first use.

Features of Your Range



FFSGS6276-30 (5 BURNERS)


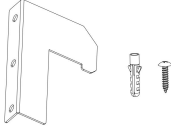
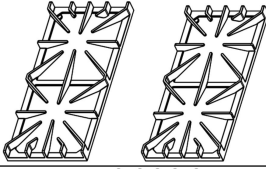
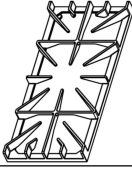


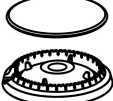
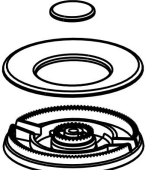




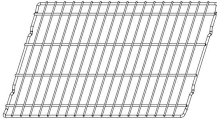

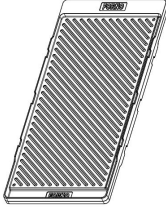
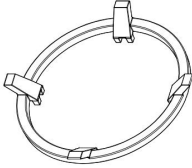
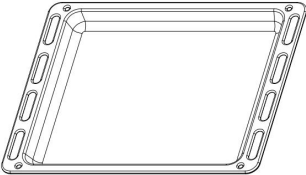
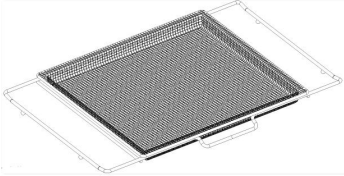
1	Cooktop Burner Grill
2	Control Panel
3	Cooktop Control Knob
4	Door handle
5	Oven door
6	Leveling System (legs)
7	Oven Vents
8	Oven Lights Switch
9	Oven Control Knob
10	Temperature gauge
11	Kick Panel

INSTALLATION INSTRUCTIONS


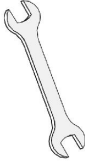
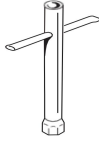






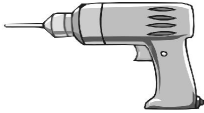
Before using your range

1. Remove all packaging material.
2. Check to make sure you have all of the accessories listed in below table.

	<p>LPG injectors: 1 piece 0.5; 2 pieces 0.85; 2 pieces 1.18; 2 pieces 0.9; 1 piece 1.18; 1 piece 0.95.</p>	<p>1 package</p>
	<p>Anti-tip bracket, plastic sleeves and screws</p>	<p>1 set</p>
	<p>Left & right grills</p>	<p>1 set</p>
	<p>Middle Grill</p>	<p>1 piece</p>
	<p>Oven door handle and screws</p>	<p>1 set</p>
	<p>Burner & Cap (9500BTU)</p>	<p>2 sets</p>
	<p>Burner & Cap (16000BTU)</p>	<p>2 sets</p>
	<p>Burner & Cap (19000BTU)</p>	<p>1 set</p>
	<p>Regulator (pre-installed)</p>	<p>1 piece</p>
	<p>Serial Number Sticker & Instruction Manual</p>	<p>1 set</p>

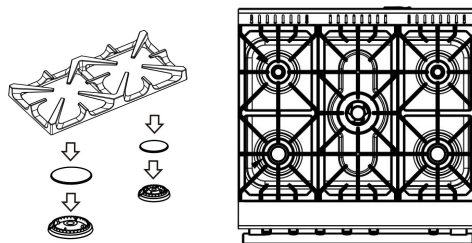
	Oven racks	2 pieces
	Bottom cover	1 piece
	Top griddle	1 piece
	Wok rack	1 piece
	Oven tray	1 piece
	Air fryer rack and holder	1 set

TOOLS NEEDED FOR INSTALLATION (not supplied with the range)

				
Screwdriver	Wrench	Socket wrench	Allen key	Tape measure & Pencil
				
Protective gloves	Hammer	Adjustable wrench	Adjustable pliers	Drill

Cooktop Burner Grills Installation

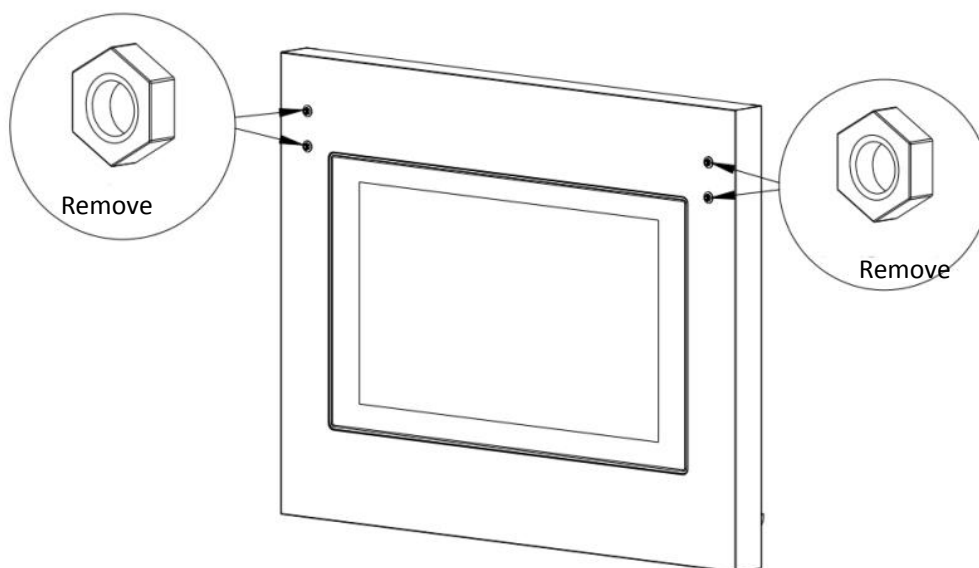
Remove the packing materials from the cooktop burner grills.
Place the burner grills to the correct position.



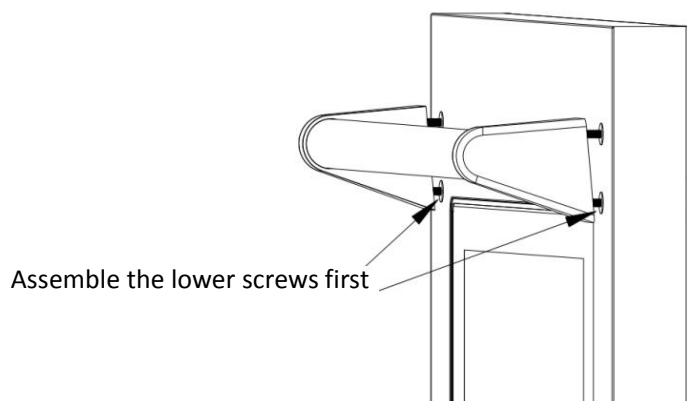
Handle installation guide

Step 1: Take out the door handle from the package.

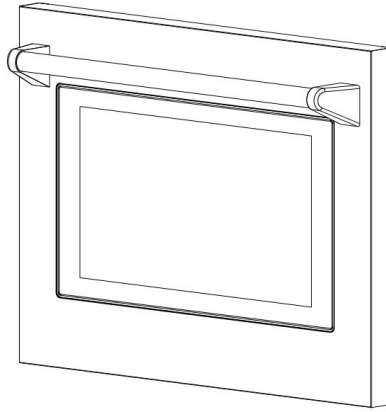
Step 2: Take out four nuts from left and right on the door as illustrated in the pic.



Step 3: Position the handle onto the door at correct direction as illustrated in the pic. Make sure the 4 bolts can be screwed into the holes underneath handle bases at two ends. Tighten the lower screws at two ends first from the inside of oven door by using screw driver. Then tighten the two upper screws.



Step 4: Check the handle to make sure it is installed correctly and tightly as illustration.



WARNING:

The installation should be finished step by step. **DO NOT** remove the washer on the screws at the outside of oven door.

Electrical indication

Your range must be electrically grounded in accordance with local codes or, in the absence of local codes, in accordance with the National Electrical Code (ANSI/NFPA 70, latest edition). In Canada, electrical grounding must be in accordance with the current CSA C22.1 Canadian Electrical Code Part 1 and/or local codes.

The power supply must be the correct polarity. Reverse polarity will result in continuous sparking of the electrodes, even after flame ignition. If there is any doubt as to whether the power supply has the correct polarity or grounded, have it checked by a qualified electrician.

ELECTRICAL REQUIREMENTS

Electrical Supply	Grounded, 110/120V AC, 60 Hz
Service	15 amp or 20 amp dedicated circuit
Receptacle	3-prong grounding-type

⚠️ WARNING

Electrical grounding Instructions: This range is equipped with a three-prong (grounding) plug for your protection against shock hazard and should be plugged directly into a properly grounded three-prong receptacle. **Do not** cut or remove the grounding pin from the plug.

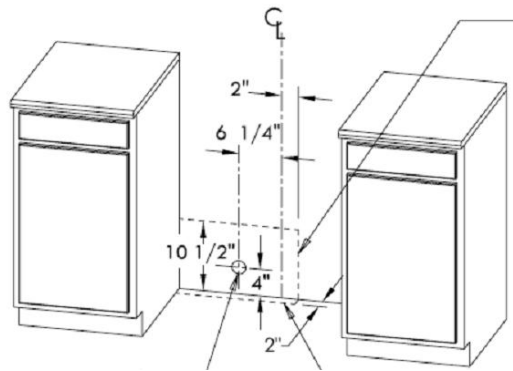
⚠️ CAUTION

Label all wires prior to disconnection when servicing controls. Wiring errors can cause improper and dangerous operation. Verify proper operation after servicing.

ELECTRICAL SHOCK HAZARD

Disconnect electrical power at the circuit breaker box or fuse box before installing the appliance. Provide appropriate ground for the appliance. Use copper conductors only. Failure to follow these instructions could result in serious injury or death.

Electric Power Supply Requirements



Area allows for flush installation with through-the-wall connection of pipe stub/shut-off valve and rear wall 110/120V outlet.

Shortest connection from hard pipe stub location to range hook-up.

Area allows for flush installation with through-the-floor connection of pipe stub/shut-off valve

Gas Supply

Installation must comply with local codes or, in the absence of local codes, with the National Fuel Gas Code, ANSI STD Z21.1-2018 / NFPA 54. In Canada, installation must conform to the current natural Gas Installation /code, CAN 1-1.1-M81 and with local codes where applicable.

This range has been design-certified according to ANSI STD Z21.1-2018 latest edition.

TYPE OF GAS:

NATURAL GAS	WC
Supply Pressure	4"
Minimum Supply Pressure	6"
Max Regulator Pressure	14", 0.5 psi (3.5 kPa)
LP GAS	WC
Supply Pressure	10"
Minimum Supply Pressure	11"
Max Regulator Pressure	14", 0.5 psi (3.5 kPa)

⚠WARNING

Do not obstruct the flow of combustion air into the range and ventilation air away from the range

Ventilation: it is recommended that the unit be operated with an oven head, vented exhaust hood of sufficient size and capacity.

Pressure regulator

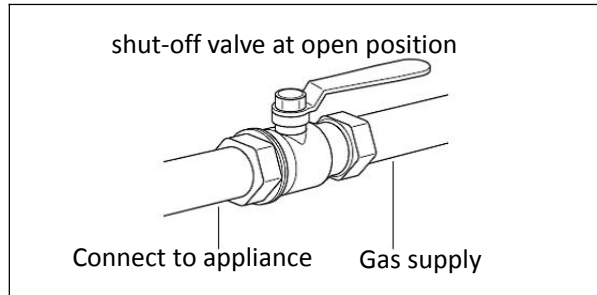
Since service pressure may fluctuate with local demand, every gas cooking range must be equipped with a pressure regulator on the incoming service line for safe and efficient operation.

The pressure regulator shipped with the range has female threads 1/2" NPT. The regulator shall be installed properly in order to be accessible when the appliance is installed in its final position.



Pressure regulator can withstand a maximum input pressure of 0.5 psi (3.5 kPa), and is set at 4" WC outlet pressure.

Gas Shut-off Valve (not included)



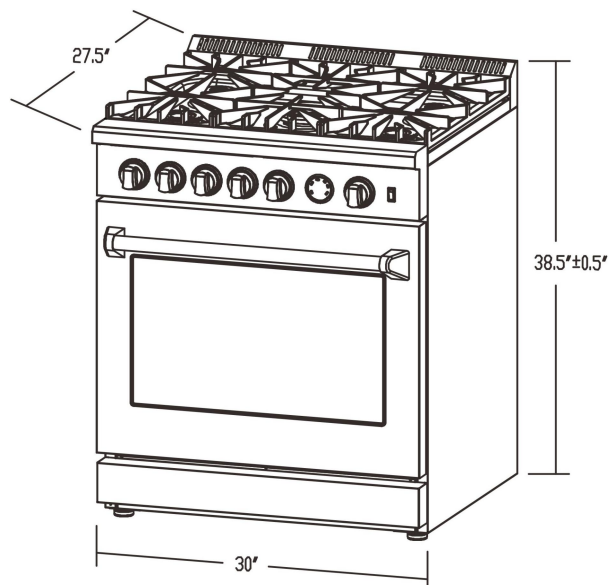
The supply line must be equipped with an approved external gas shut-off valve located near the range in an accessible location. Do not block access to the shut-off valve. Refer to the illustration below.

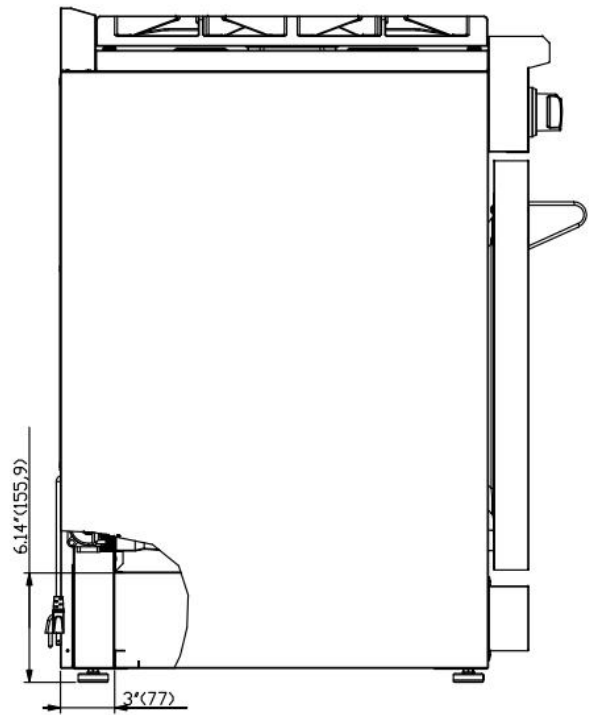
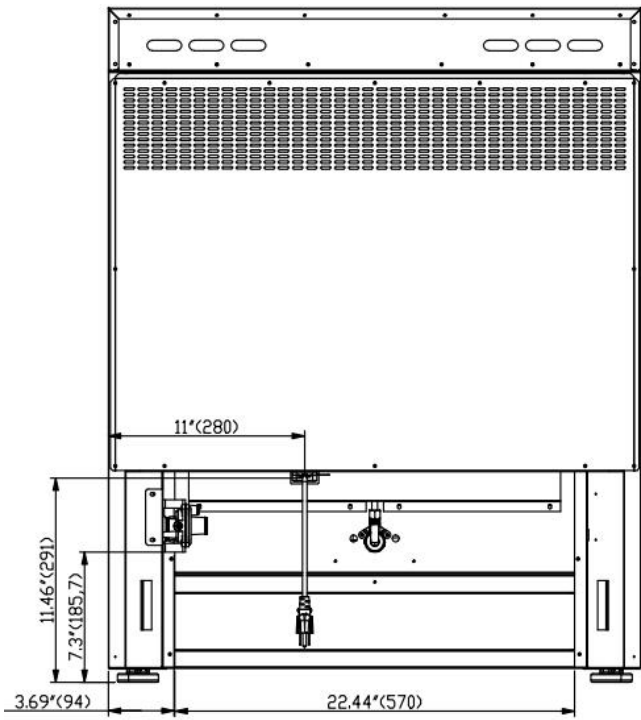
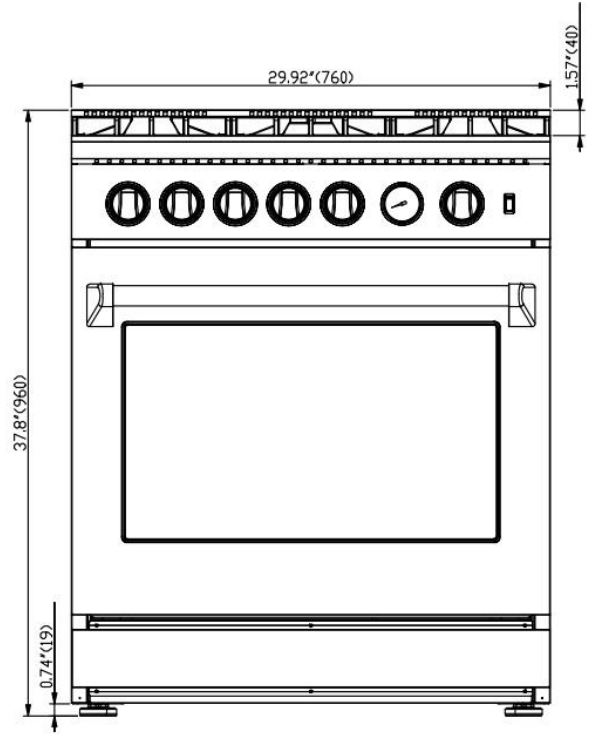
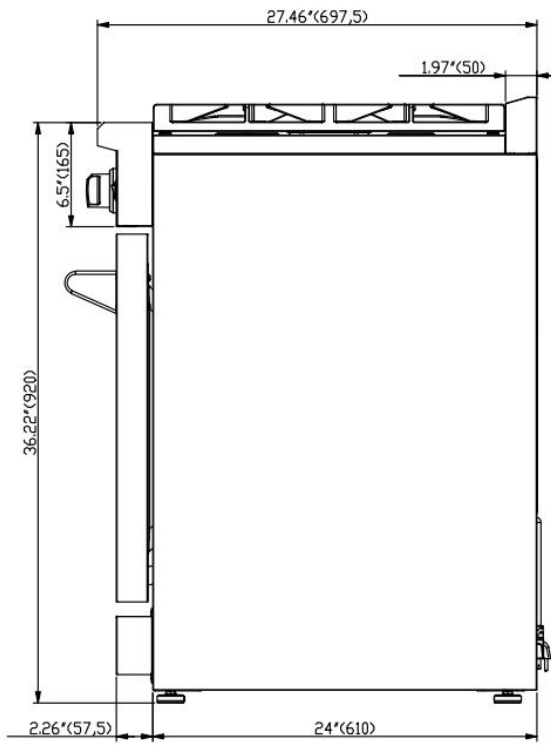
A 3/4" (19mm) ID gas supply line must be provided to the range. If local codes permit, a certified, 3' (900mm) long, 1/2" (13mm) or 3/4" (19mm) ID flexible metal appliance connector is recommended to connect the unit's 1/2" NPT female inlet to the gas supply line. Pipe joint compounds suitable for use with natural or LP gas should be used.

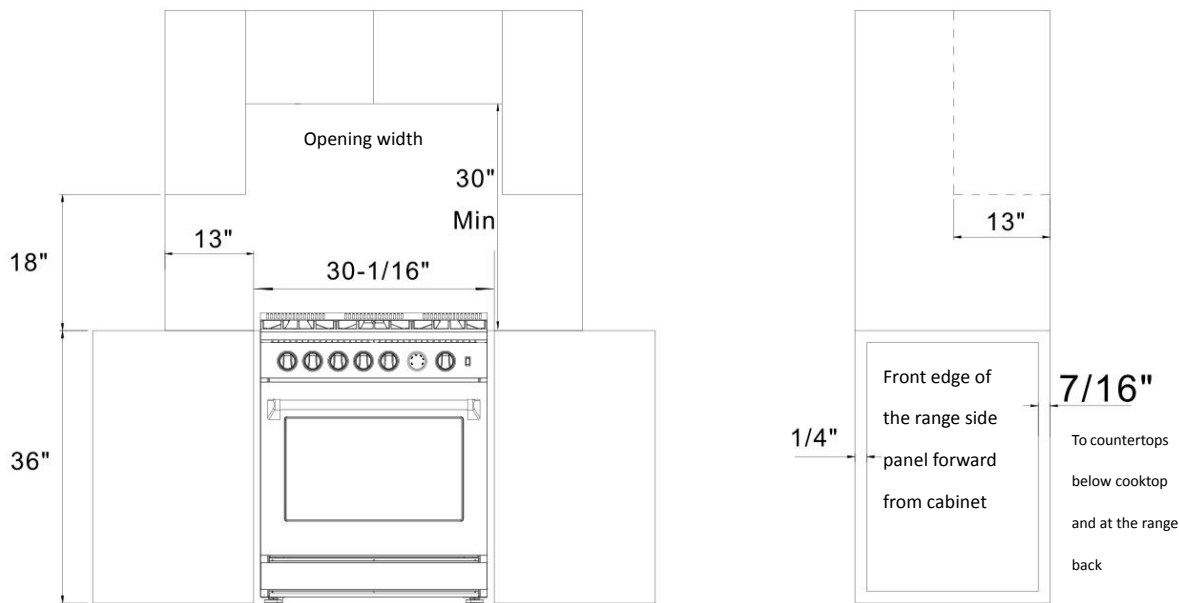
The appliance and its shut-off valve must be disconnected from the gas supply piping system during any pressure testing of the system at test pressures in excess of 0.5 psi (3.5 kPa). The appliance must be isolated from the gas supply piping system by closing its individual manual shutoff valve during any pressure testing of the system at test pressures equal to or less than 0.5 psi (3.5 kPa).

Product Dimensions and Cabinets

This range may be installed directly adjacent to existing countertop-height cabinets (36" or 91 cm from the floor). To achieve the best look, the cooktop should be level with the cabinet countertop. This can be accomplished by raising the unit using the adjustment spindles on the legs.







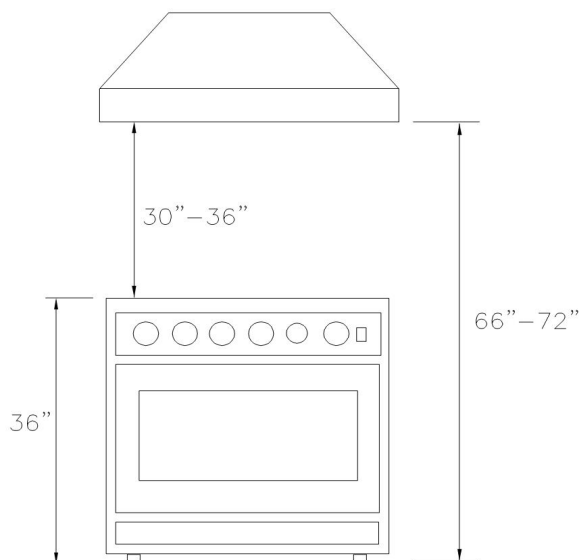
Opening width	W
30" Model	30" (762mm)

Exhaust Hood Installation

The bottom of the hood should be 30" min. to 36" above the countertop. This would typically result in the bottom of the hood being 66" to 72" above the floor. These dimensions provide safe and efficient operation of the hood.

After Installation:

1. Check ignition of cooktop burners.
2. Check the air shutter adjustment – sharp blue flame, with no yellow tipping or lifting flames.
3. Check ignition of oven burner.
4. Visually check tubular burner (oven burner) re-ignition to be sure both rows of burner ports are relighting each time.
5. Check for gas leaks at all gas connections (using a gas detector, never a flame).
6. Check oven broil and convection bake function.



Gas Conversion Operation

This cooking range can be used with LP gas and NG gas. It is shipped from the factory adjusted for use with NG(Nature Gas). Injector for LP gas are included. Follow the instruction shown below for gas conversion.

⚠️WARNING Gas conversion shall be conducted by a factory- trained professional. Call the customer service hotline to identify a factory-trained professional near your home.

⚠️WARNING Before carrying out this operation, disconnect the range from gas and electricity. Fail to do so, may result in fire, or electrical shock hazard can occur and result in injury or death. Do not remove regulator or allow it to turn during servicing.

The gas conversion procedure for this range includes 7 steps:

1. Pressure regulator
2. Cooktop burners
3. Oven burner
4. Broil burner
5. Oven valve adjustment
6. Reconnect Gas and Electrical Supply
7. Installation of new rating label

The conversion is not completed if all 7 steps have not been concluded properly.

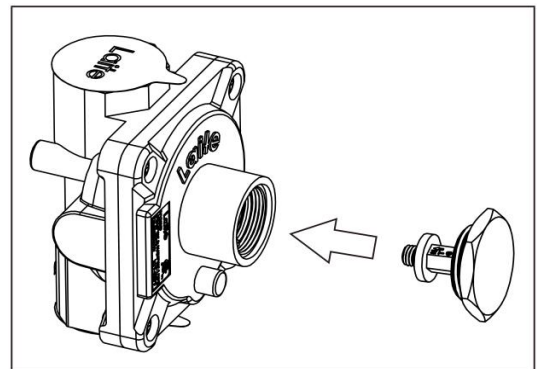
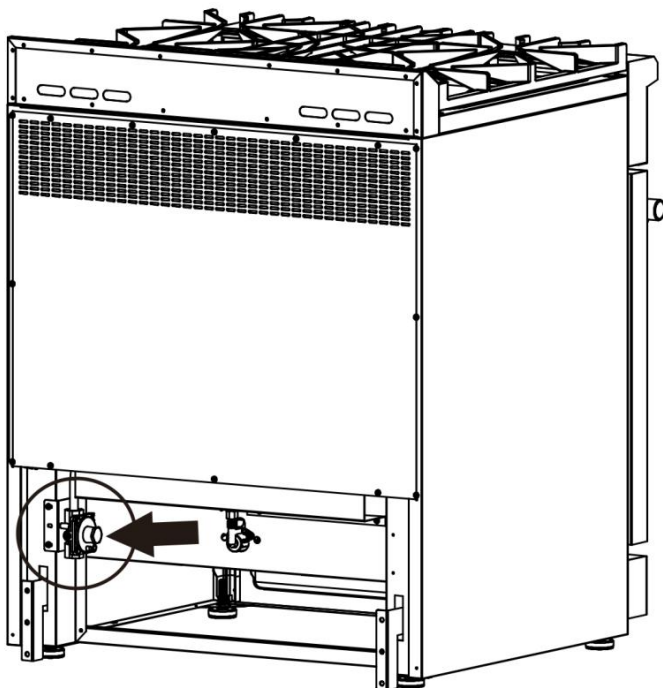
Before performing the gas conversion, locate the package containing the replacement injectors shipped with every range.

⚠️WARNING Before carrying out this operation, disconnect the range from gas and electricity. Fail to do so, may result in fire, or electrical shock hazard can occur and result in injury or death. Do not remove regulator or allow it to turn during servicing.

STEP 1: Pressure Regulator

To access the gas regulator, pull the range away from the cabinet wall. The gas regulator is located at the bottom right corner of the range.

- a. Unscrew the cap from the regulator. Do not remove the spring from the regulator.
- b. Unscrew the white insert from the cap and turn it over so the longer stem is facing the cap. Replace insert on the cap. Replace the cap on the regulator.



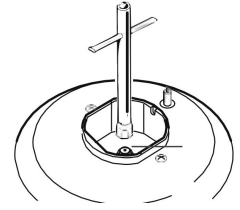
Position for NG



Position for LPG

STEP 2: Cooktop Burners

- a. Remove cooking grills and burner caps.
- b. Lift off outer burner spreader.
- c. Remove the factory installed natural gas nozzles from the center of the nozzle holders using a 7mm socket wrench. Replace the LP injector in each nozzle holder. Tighten each injector properly. **Do not over tighten the injector.**

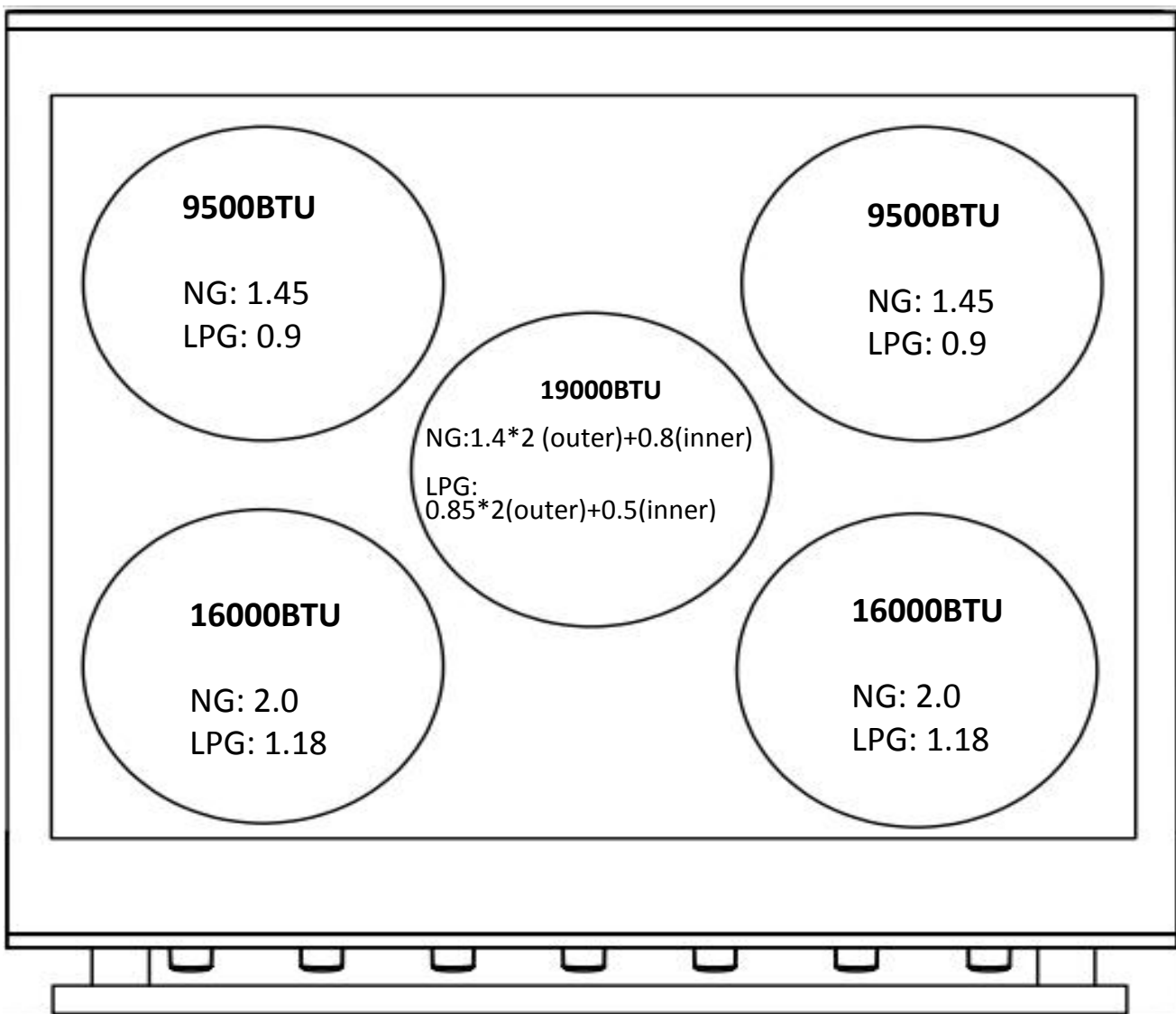


Socket wrench

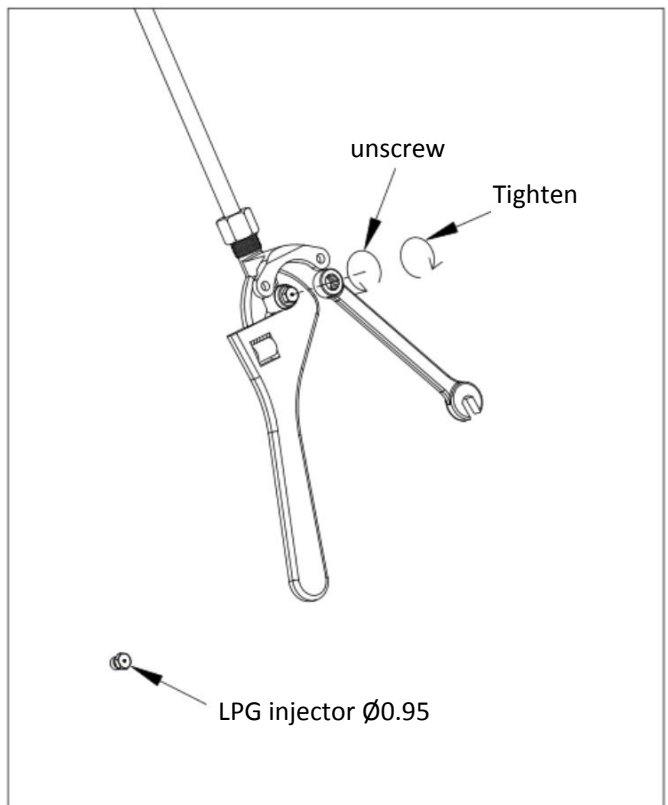
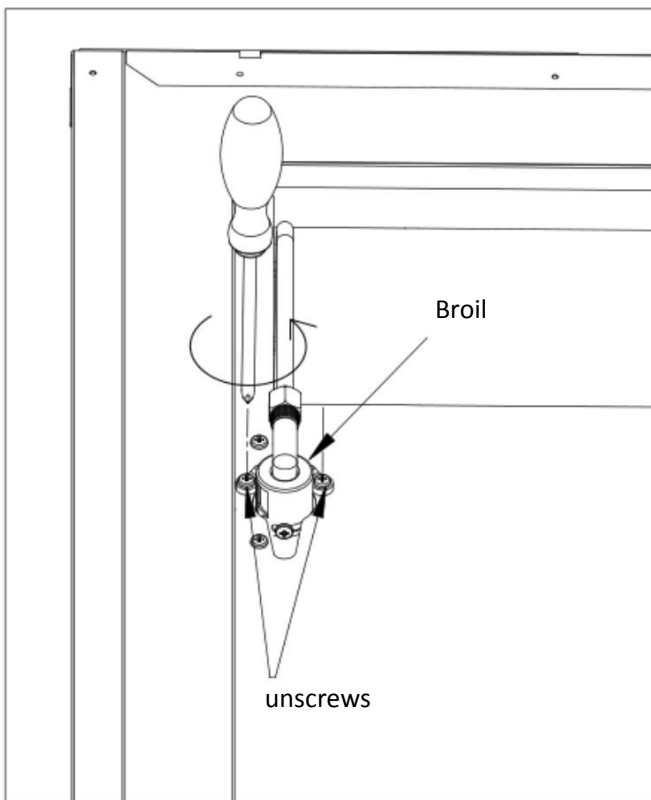
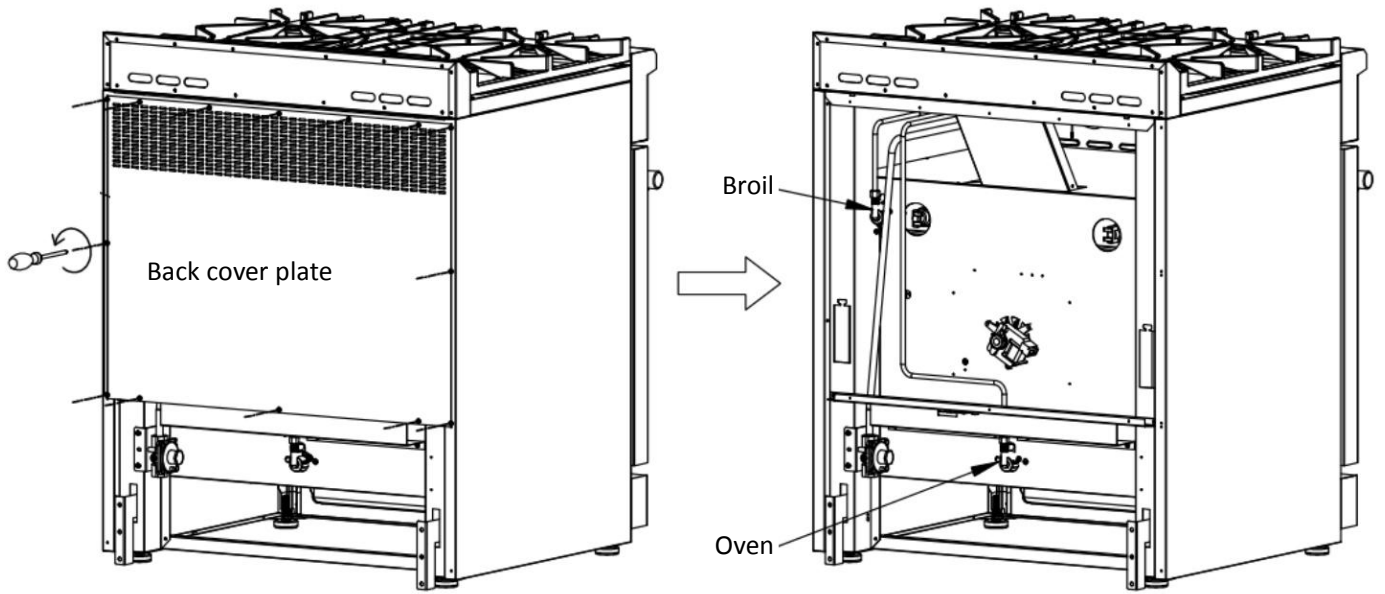
⚠ CAUTION Handle carefully when removing and replacing gas components. Use proper support to prevent damage to components.

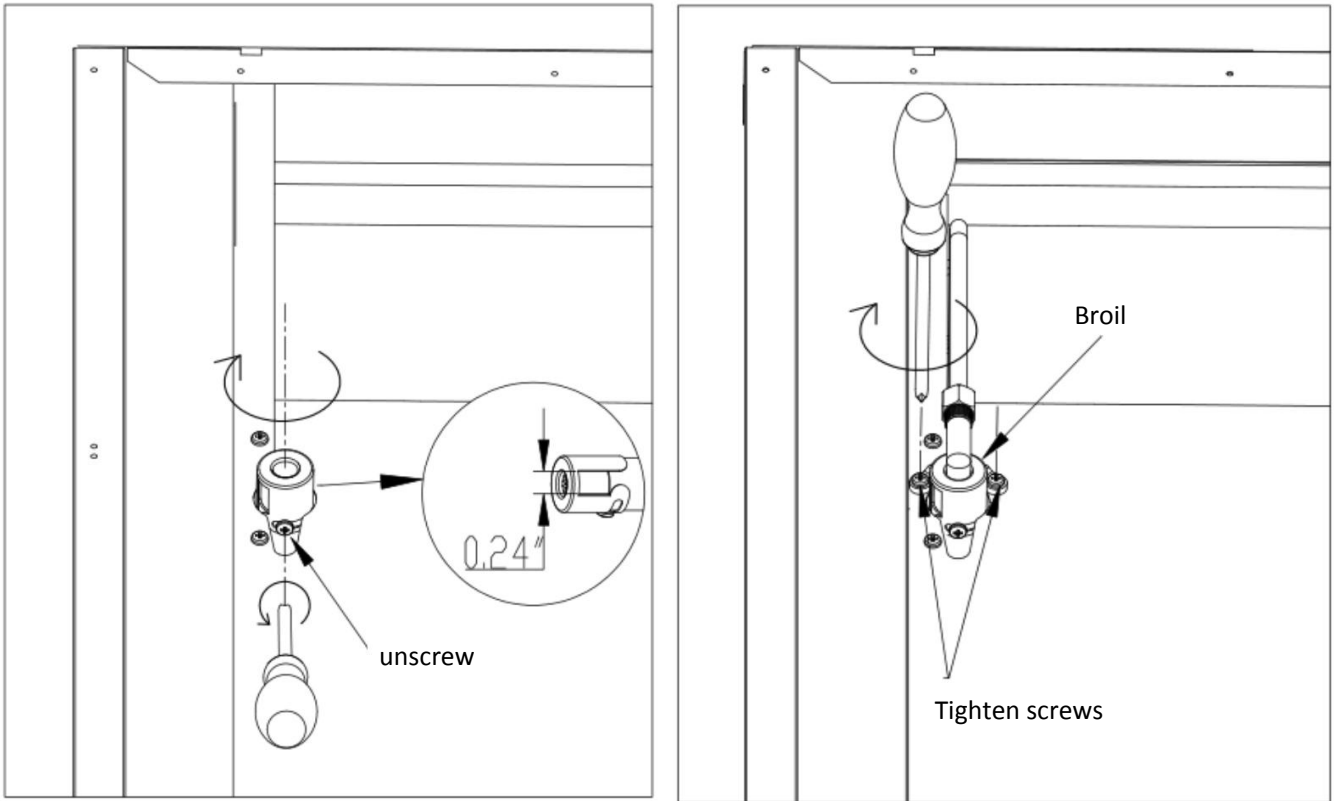
IMPORTANT: Each injector has a number indicating its flow diameter printed on the body. Consult the table below for matching nozzles with cooktop burners.

⚠ CAUTION The Re-ignition system and automatic gas-cut-off system are not equipped on the cooktop burners. If the flame goes out by accident, need to turn off the valve immediately to cut off the gas supply.



STEP 3: Broiler Burner (up burner inside the oven)



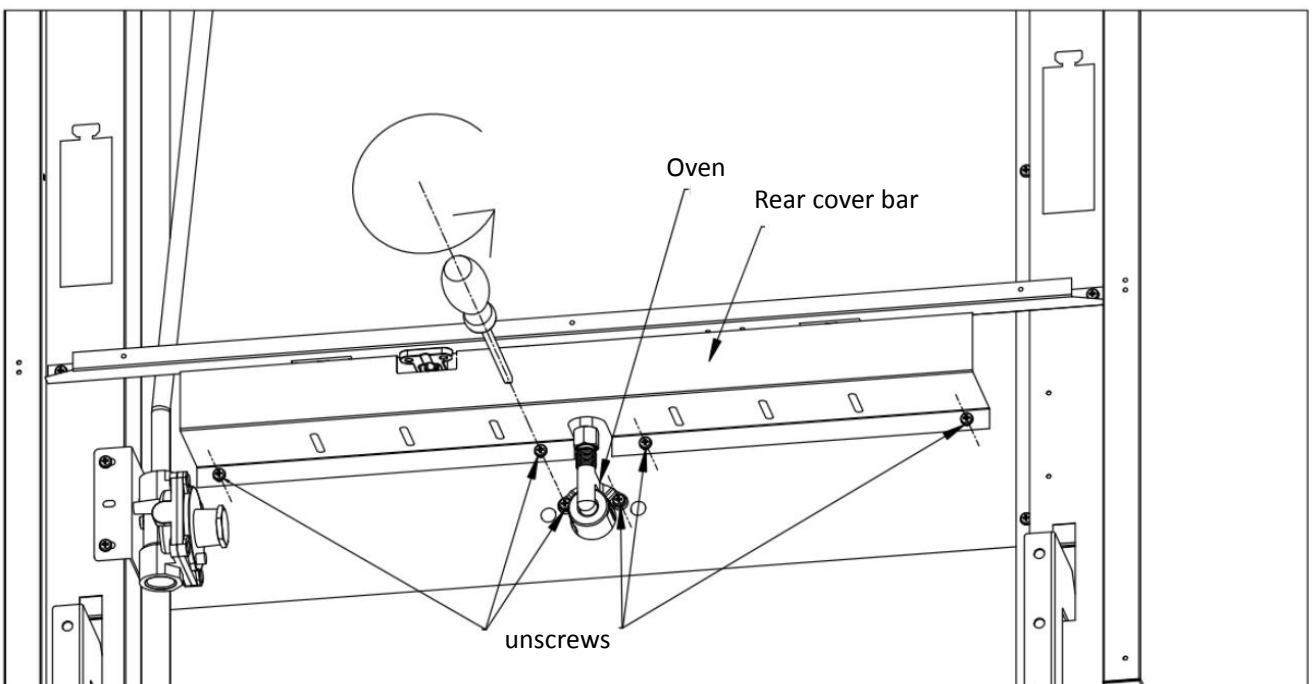


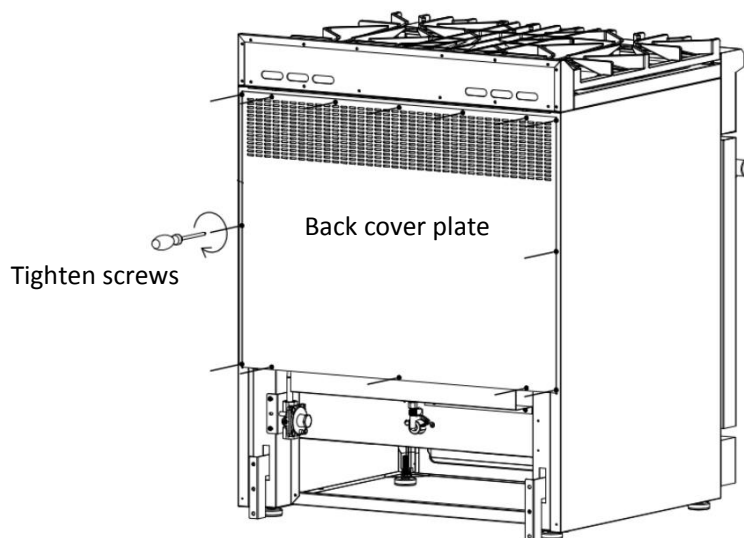
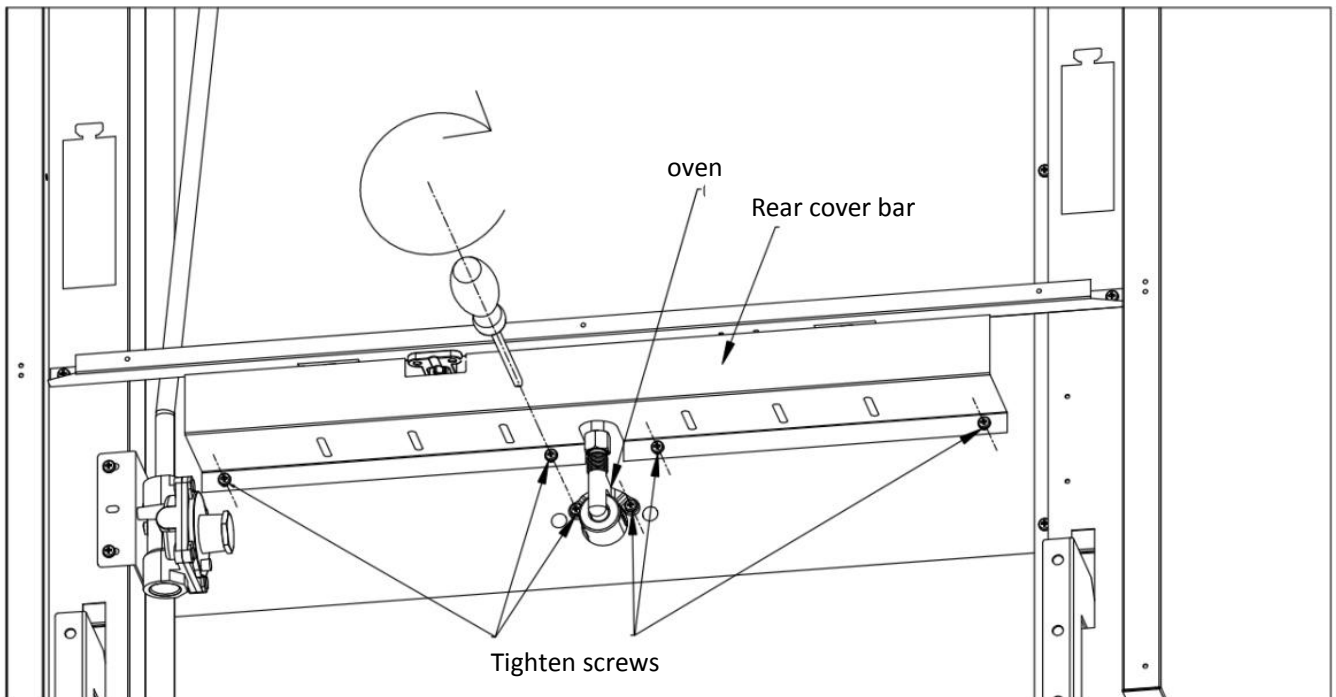
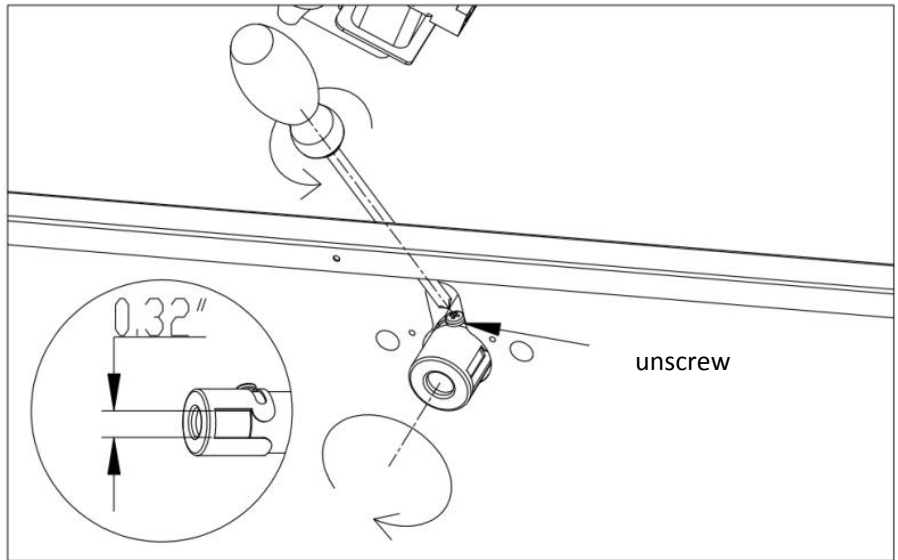
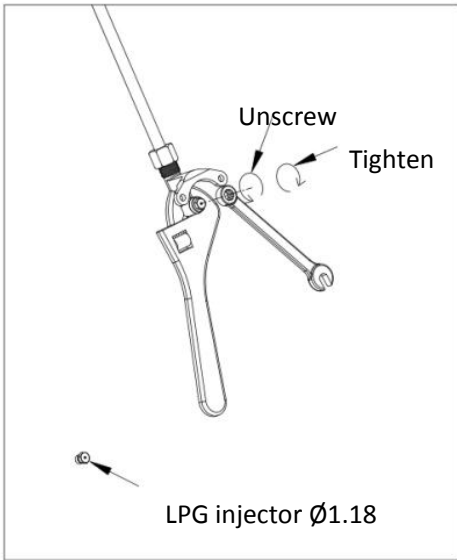
- A. Unscrew to open the back cover.
- B. Use the open wrench to remove the screws from pipe connector.
- C. Take out the 0.95 LPG injector from the part bag and replace the pre-install 1.6 NG injector.
- D. Loosen the screws and adjust the diameter of the air inlet hole to 0.24"
- E. Tighten the pipe connector and the gas inlet by screws.

Injector diameter for broiler burners:

NG ---1.6 LPG --- 0.95

STEP 4: Oven Burner (bottom burner of the oven)





- A. Open the rear cover bar by removing the screws.
- B. Use the open wrench to remove the screws from pipe connector.
- C. Take out the 1.18 LPG injector from the part bag and replace the 2.0 NG injector by the 1.18 LPG injector.
- D. Loosen the screws and adjust the diameter of the air inlet hole to 0.32"
- E. Fix the pipe connector and the gas inlet by the screws.
- F. Fix the rear cover bar by the screws
- G. Install the back cover plate by the screws

Injector diameter for oven burners:

NG ---2.0 LPG --- 1.18

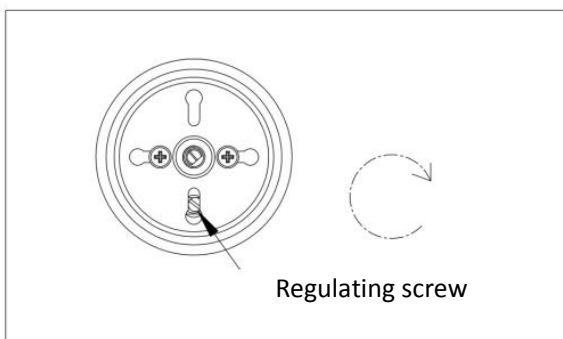
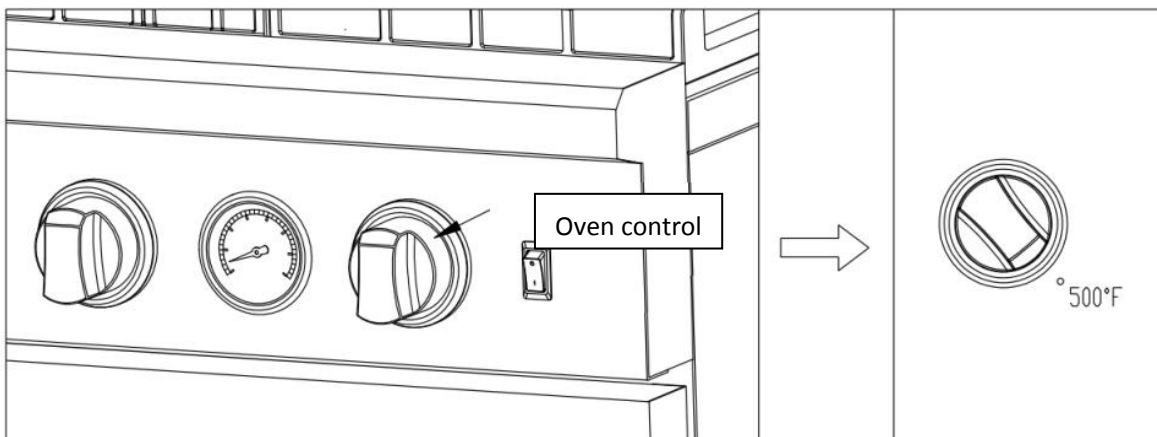
IMPORTANT: Keep the injectors removed from the range for future use.

STEP 5: Oven Valve Adjustment

To set the oven valve for LP usage, you will need to adjust the regulating screw.

Follow the instructions in this section.

⚠ WARNING If the orifice is adjusted to be too small, the oven burner flame might be off during normal use.
Need to re-adjust the orifice in case this is happened.



- A. Turn oven control knob to 500F position, pull out the knob to access the regulating screw on the valve.
- B. Use a small flat head screwdriver to adjust the regulating screw. Turn the screw clockwise and tighten it to the maximum.
- C. Put back the knob.

STEP 6: Reconnect Gas and Electrical Supply

Leakage testing of the range shall be conducted according to the installation instructions provided with the range. Before operating the range after the gas conversion, always check for leaks with a soapy water solution or other acceptable method at gas connections installed between the gas inlet pipe of the range, gas regulator, and the manual shut-off valve.



⚠ WARNING DO NOT use a flame to check for gas leakage.

⚠ WARNING Please make sure the thermocouple within 2-2.5mm far away from the oven burner.

Otherwise, the thermocouple may not touch the small flame at the minimum level, which will cause the flame out accidentally.

STEP 7: Installation of LPG Conversion Label

Record the model and serial number on the LP / Propane Conversion Label provided in this kit.

The information can be obtained from the existing Rating / Serial label. Place the LPG conversion label as close as possible to the existing Rating / Serial label on the range.

Preparation

Before moving the range, protect any finished flooring and secure oven door(s) closed to prevent damage.

The oven door(s) can be removed to lighten the load or to fit the unit through a doorway. Only remove if necessary. Do not remove the griddle or any other component. Door removal should only be done by a certified installer or service technician.

Placement

Do not lift or carry the oven door by the door handle.

Use an appliance dolly to move the range near the opening. Remove and recycle packing materials. Do not discard the anti-tip bracket supplied with the range.

Leveling

Raise the range to the desired height by adjusting the legs. The legs can be adjusted by rotating clockwise to raise or counter clockwise to lower the rang.

Anti-Tip Bracket

To prevent the range from tipping forward, the anti-tip bracket must be installed. Refer to the section of ANTI-TIP DEVICE.

Gas Supply Connection

All connections to the gas piping must be wrench-tightened. Do not over-tighten or allow pipes to turn when tightening. When all connections have been made, check that all range controls are in the “OFF” position and turn on the main gas supply valve.

If a flexible metal connector is being used, verify it is not kinked, then attach the gas supply line to the regulator on the range. Open the valve and check for leakage by placing a liquid detergent solution onto all gas connections. Bubbles around connections indicate a gas leak. If a leakage is determined, close the shut-off valve and fix the connections.

Leakage testing of the appliance shall be conducted according to the manufacturer’s instructions. Use some soap water (50% water and 50% soap) or a leakage detector at all joints and connections to check for leaks in the system. Do not use a flame to check for gas leaks.

The appliance must be isolated from the building’s gas supply piping system by closing its individual manual shut-off valve during any pressure testing of the gas supply piping system at test pressure equal to or less than 0.5 psi (3.5kPa).

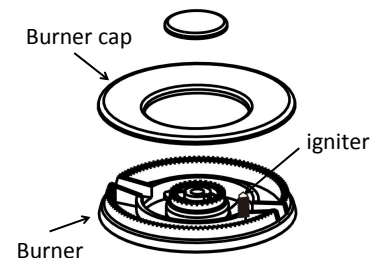
Getting Started

Before you start cooking, please take the following steps.

- Remove all the exterior and interior packing.
- Remove the protective film on steel and aluminum parts.
- Clean the range thoroughly with hot water and a mild detergent. Rinse and dry with a soft cloth to remove any residual oil and grease left over from the manufacturing process.
- Check that surface burner components are assembled correctly.
- Furnish the interior of the oven by inserting the shelves and tray.

Cooktop Operation

The burner assembly contains all accessories in one set. The burner cap must be seated on the burner horizontally. Refer to the illustration.



Ignition

To light up the cooktop burners, push the appropriate control knob in and turn counter clockwise to “⚡” position. You will hear clicking noise – the sound of electric spark igniting the burner. When one burner is turned to “⚡”, all burners will spark. Sparking will continue until the knob is not pressed, turn the knob to adjust desired flame intensity.

The knob pointing to “⚡” is at the maximum fire level. Turning the knob to upside or downside can achieve smaller fire. When the knob is turned to OFF position, the range will stop working and the valve will be shut down.

NOTE: Do not attempt to disassemble or clean around any burner while another burner is on. Do not touch any burner cap, burner base, or igniter while the igniters are sparking.

⚠ CAUTION Never leave pans on a high setting unattended. Be careful when cooking food in fat or grease; it can become hot enough to ignite.

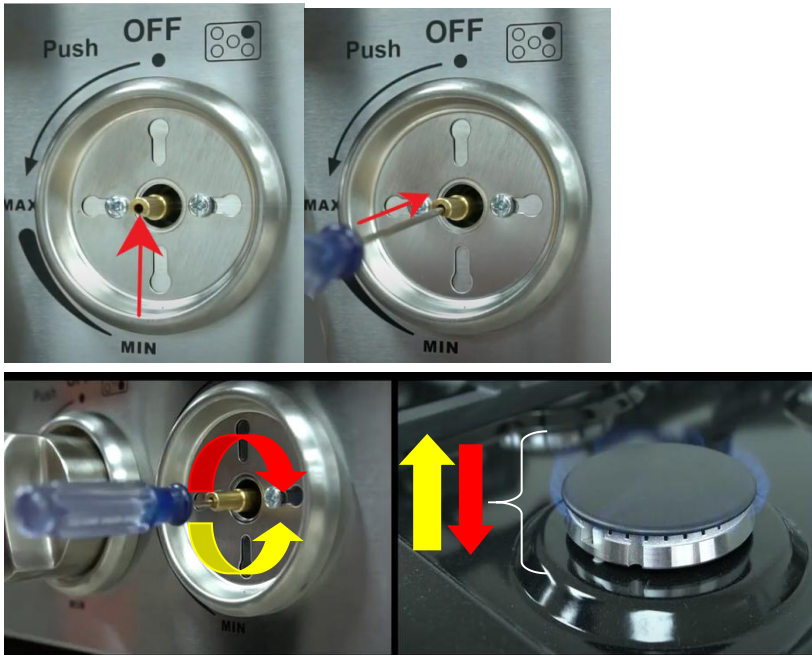
Small and big flame:

A smaller flame will give the best results when simmering. Small flames offer precise cooking performance for delicate foods, keeping food warm, melting chocolate or butter, and for cooking over low heat for long period of time.

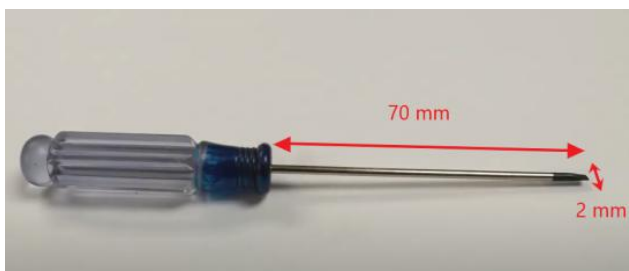
The highest (larger) flame settings provide the maximum heat that is available on your range. This setting should be used for heavy cooking jobs such as boiling water and cooking pasts.

Flame intensity

- To adjust the flame intensity, follow the next step:



- A. Pull out the knob to access the regulating screw, located in the middle of the valve stem.
- B. Insert a small flat head screwdriver (2 mm wide and 70 mm long) inside the valve stem until you reach the far end.



- C. By turning the screwdriver clockwise, the flame intensity will decrease and by turning it counter-clockwise the flame will increase.
 - D. When you turning it clockwise, make sure to not fully tighten the adjustment screw, because if so, the gas will completely cut and when you turn it counter-clockwise make sure to not loosen it to the maximum.
- When you adjust the flame intensity, watch the flame when you turn the knob.
 - Any flame exceeding the bottom of the cookware is wasted.
 - The flame should stay steady and blue in color. Impurity in the gas supply may cause an orange flame during initial operation.

Power Failure

- If the gas does not ignite within four seconds, turn off the valve and allow at least five minutes for any gas to dissipate. Repeat the lighting procedure.
- In the event of a power failure, the surface burners can be lighted manually. Hold a lighted match near a burner and turn the knob counter-clockwise to “⚡”. After burner lights, turn knob to the desired setting.

Burner Grills

1. The grills must be properly positioned before cooking. Improper installation of the grills may result in scratching of the

cooktop and / or poor combustion.

2. Do not operate the burners without a pan or utensil on the grills.

⚠ CAUTION The surface of the grill is hot after use. Please allow sufficient time for the grill to cool before cleaning.

Cooktop cleaning tips

- To prevent the cooktop from discoloring or staining, clean cooktop after each use, and wipe up acidic or sugary spills as soon as the cooktop is cooled.
- The sealed burners of your range are not secured to the cooktop and are designed to be removed easily. Boil overs or spills will not seep underneath the cooktop. The burners should be cleaned after each use.

Oven Light

The oven light is controlled by a push switch on the control panel.

The light can be used while cooking or cleaning the oven.

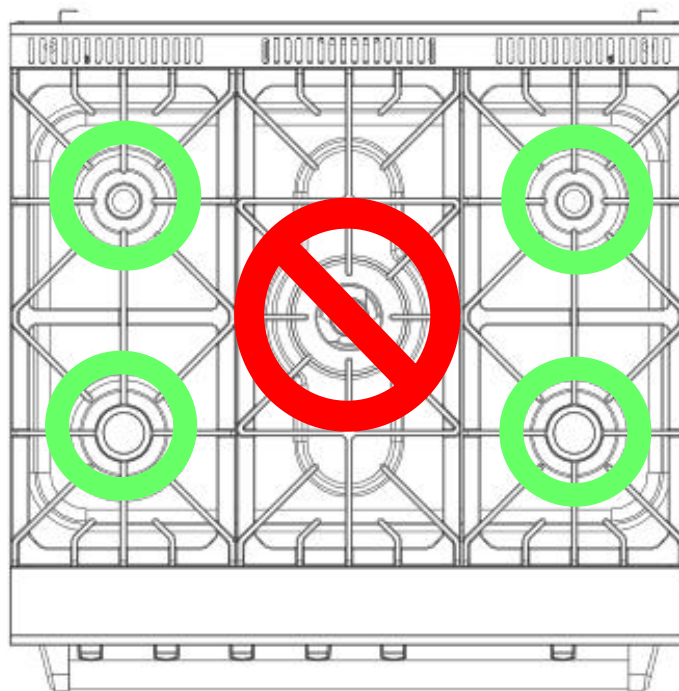
⚠ CAUTION Before replacing the oven light, make sure power is disconnected from the electrical box and the oven is cooled completely. Disassemble the light cover and replace the light bulb with a 25-watt halogen bulb. Install the light cover properly.

Griddle Operation

⚠ CAUTION Make sure to follow all the guidelines for a proper usage of the griddle. If you don't use the griddle properly you risk damaging it and it will void the warranty.

Griddle position

The griddle can not be used on the middle grates. For a proper usage, the griddle needs to be on the left or right grates;



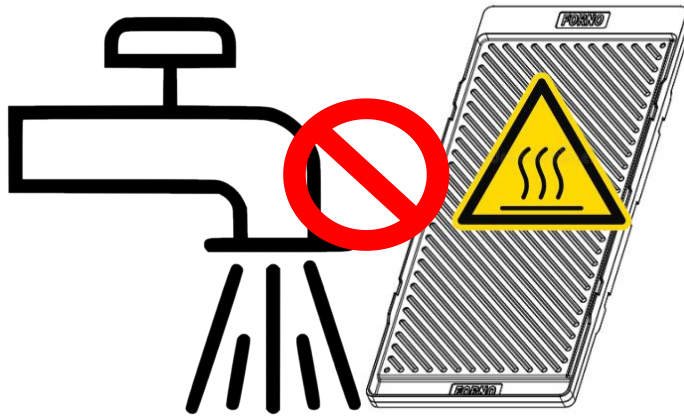
Heat setting

The griddle is not designed for high heat usage. Higher temperatures will damage the non-stick coating over time.



Cleaning

To avoid injuries and damaging the griddle, always wait until the griddle has cooled down before washing or soaking it water.



Oven Operation

Oven Ignition

This oven is powerful. It can reach 350°F in approximately 7 to 10 minutes, since the flame is ON throughout the entire usage of the oven. This oven is not equipped with an automatic re-ignition system that will cycle ON and OFF throughout your cooking. Read the following information to learn more about the oven analog-like operating system.

When using the oven, push and turn the oven knob counter-clockwise to the desired temperature (ex: 325°F) and hold until the oven burner ignites. As it ignites, wait 5 to 10 seconds before releasing the knob. Note that the flame will be large for the whole preheating process. Once preheated, the flame will automatically decrease in size, indicating the oven is ready for cooking. Open the door, place the food inside the oven and wait until the flame is visibly larger before closing back the door (this may take 8 to 10 seconds).

The above steps are outlined due to the thermo-cut-off safety mechanism in which the safety device must always remain in contact with the flame in order for it to stay ignited. When the flame is large the contact is strong.

The oven is designed to maintain the original selected cooking temperature. If a lower cooking temperature, than the original preheating setting is desired, the oven needs to be re-lit manually by repeating the steps above.

WARNING: If fail to light up the oven burner 3 times continuously, the oven might full of the gas, then open the oven door to allow gas dissipating before operating ignition again. Otherwise, the oven may explode and the user will get hurt.

IMPORTANT: Safety device is equipped with the oven burner. When the flame goes off by accident, the gas supply will be shut off automatically. You need to turn the control knob back to the OFF position and ignite again.

Ignition system

When the flame is on, release the knob, the sparking will stop.

Oven Baking Tips

1. Never cover any slots, holes or passages in the oven bottom or cover an entire rack with materials such as aluminum foil. Doing so blocks air flow through the oven and may cause carbon monoxide poisoning. The aluminum foil lining may also trap heat, causing a fire hazard.

Do not use aluminum foil on any porcelain surface. Doing so will damage the porcelain and affect its durability.

2. Position the racks before preheating the oven.

Preheating

Allow the oven to preheat before placing food in the oven. Preheating is necessary for good results when baking cakes, cookies, pastry and breads.

The oven fan will be automatically switched on when the bottom burner is working. For fast preheating, turn the oven knob to the "Broil" position. Wait for the oven to become hot, approximately for 3 minutes.

Note: Condensation or fogging on the inside of glass of the oven door is normal while preheating and it will evaporate by the end of the preheating.

Oven Function

Natural Airflow Bake occurs when heat is transferred into the oven from the bake burners in the bottom of the oven cavity. Heat is then circulated by natural airflow. This is a traditional bake setting.

Convection Bake

The oven fan will be switched on when the bottom burner is working. Heat is transferred to all over the inside of oven cavity. It provides a more even heat distribution inside the oven than regular cooking.

Convection Roast

The convection fan circulates the heat evenly over and around the food. Heat will be circulated over the food being roasted.

Broiler Operation

Note: Door must be closed during broiling operation.

The broil burner is located at the top of the oven. As broiling is done with the oven door closed, it is normal to add some smoke flavor to the food.

Setting Broil

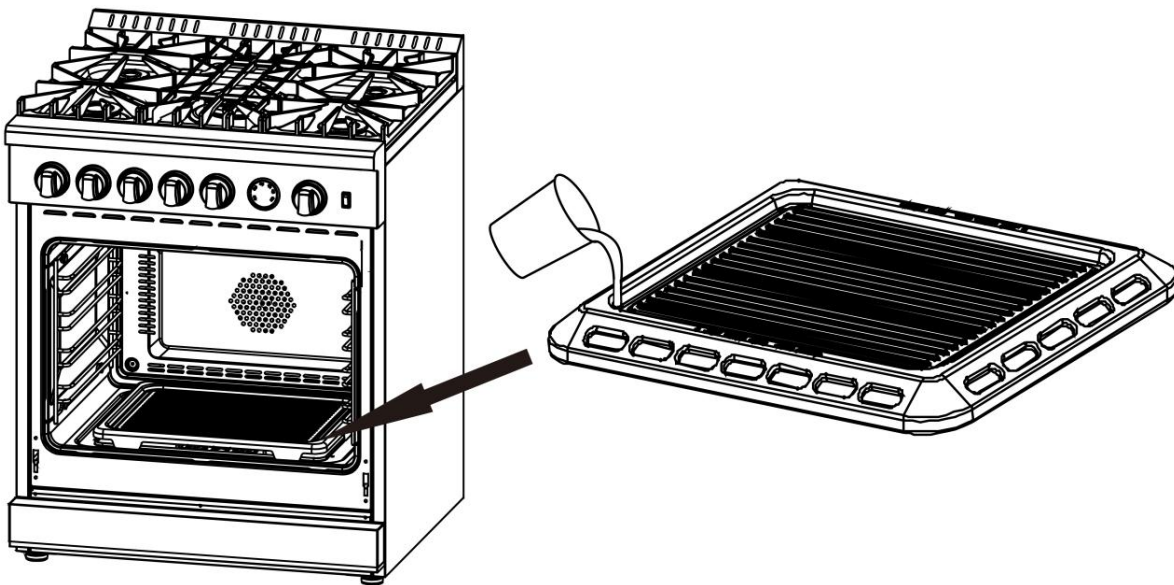
Turn the oven control knob clockwise to select the Broil feature. When broiling, heat radiates downward from the oven broiler. The temperature of Broil feature is 500°F (260°C).

Oven Cleaning Tips

1. After each use, and once the oven is cooled, clean splatters and spills immediately.
2. Do not allow foods with a high sugar or acid content to remain on the oven cavity surface.
3. Use an oven cleaner to clean the oven cavity.
4. Please use soft sabs to clean to clean up the enamel cooktop and enamel oven chamber.

Steam clean

In order for easy cleaning, you may add maximum 200ml water to the groove of the fireproof plate at the bottom of oven cavity, DO NOT exceed the groove. Switch on the oven to heat up and generate steam all over the oven to soften the dirt attached to the cavity for easy cleaning.



Oven thermostat and temperature gauge

Thermostat is equipped in the oven, when the oven temperature reaches the setting, the thermostat will keep the oven temperature stay relatively stable. Actual oven temperature can be read from the gauge on the control panel.

⚠️ WARNING If the temperature of the gauge is not correctly matching with your setting when the cooker is working for a period, please contact your local professional technicians to check. The user is NOT allowed to break up the stove and adjust the oven thermostat directly.




Care and Maintenance Recommendations

Stainless steel	Use non-abrasive stainless steel cleaner, apply small amount to a soft cloth, slightly wipe the stainless steel surface, then towel dry. When wiping on the stainless steel surface, always follow the grain of the metal.
Burner grills Oven rack guides	Clean with hot water and mild detergent or paste of baking soda and water. Do not immerse in water. Towel dry.
Burner pan	Remove surface debris before cleaning to help speed up the process and decrease the chance of scratching the surface during cleaning. Using mild abrasive cleaners or spray degreasers, clean and

	rinse the surface and dry immediately. To clean hard water stains, use white vinegar and water. Rinse and dry immediately.
Cooktop burners	After cool down, use mild detergent or spray degreaser to clean. Rinse with water and towel dry.
Control knobs	Using a damp cloth, wipe with a mild detergent or spray degreaser; rinse and dry. Do not place in dishwasher.
Oven interior	Use mild abrasive cleaners, spray degreasers. Use a razor blade to gently remove baked on foods from oven cavity and window. For stubborn stains, spray with a mild abrasive cleaner or spray degreaser. Clean the entire oven cavity with soap and water.
Pan	To clean the pan, discard grease and wash with hot water and mild detergent. Rinse and dry.

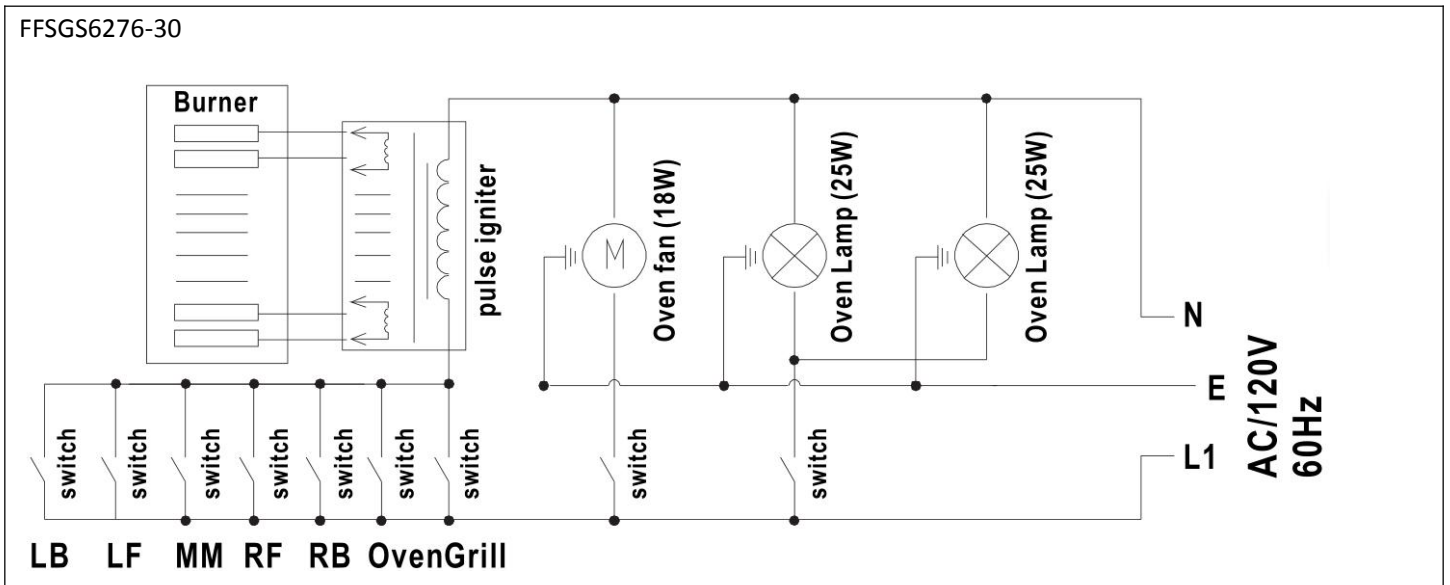
Troubleshooting Tips

Before you call for service

Range does not operate	Check that power is on. Check that electrical power to range and home circuit breaker is on.
Burners Do Not Light Or Spark Randomly	Electrical plug is not connected properly with a live power outlet. Gas supply not turned on. Burner parts not replaced correctly. Holes in the simmer rings or slits in the burner rings are clogged. Clogged nozzles, or wet burners or electrodes. A fuse in your home may be blown or circuit breaker tripped.
Burners Have Yellow Or Yellow-Tipped Flames	Burner parts not replaced correctly. A. Yellow flames: Call for service. B. Yellow tips on outer cones: Normal for propane (LP) gas. C. Soft blue flames: Normal for natural gas. If burner flames look like  (A), call for service. Normal burner flames should look like  (B) or  (C), depending on the type of gas.
Burner Flames Very Large Or Yellow	The range may be connected to the wrong fuel type. Contact the person who installed your range or made the conversion.
Burner Flames Contain Orange Flickers	Airborne dust; cool-mist humidifier; debris on or inside burner.
Oven Lights Do Not Work	The light bulb is defective. Replace the bulb.
Oven Racks Are Hard To Slide	Do not use a cooking spray or other lubricant sprays to make it smooth. Refer to oven racks cleaning in the Care and Maintenance section.
Food Does Not Bake Or Roast Properly	The oven controls are improperly set. See the Baking or Roasting section. Oven not preheated for enough time. Incorrect cookware or cookware of improper size being used. Racks in the wrong position. See the Baking or Roasting section. Use a foil tent to slow down browning during roasting. Oven thermostat needs adjustment: Please contact the local professional technicians.
Food Does Not Broil Properly	This model is designed for closed door broiling only. Always broil with the door closed. The oven controls are not set at BROIL. See the Broiling section. Improper rack position.

	<p>Cookware is not suited for broiling.</p> <p>Aluminum foil used on the broiling pan and rack has not been fitted properly and slit as recommended.</p>
Oven Temperature Too Hot Or Too Cold	Oven thermostat needs adjustment. Please contact the local professional technicians.
Steam From The Vent	When using the convection mode, it is normal to see steam coming out of the oven vent. As the number of racks or amount of food being cooked increases, the amount of visible steam will increase.
Burning Or Oily Odor Emitting From The Vent	This is normal in a new oven and will disappear in some time.
Strong Odor	This is temporary. An odor caused by the insulation around the inside of the oven is normal for the first few times the oven is used.
Convection Fan Not ON All The Time	Please contact the local professional technicians.
Condensation Or Fogging On The Glass of inside of Oven Door.	Condensation or fogging on the glass of inside of oven door is normal during the preheating of the oven and will evaporate usually by the end of the preheating cycle.
Cracking Or Popping Sound During Cleaning	This is normal. This is the sound of the metal heating and cooling during both the cooking and cleaning functions.
Excessive Smoking Occurs During Cleaning	The oven is heavily soiled. Turn the oven control knob to OFF. Open the windows to exhaust. Wait until the oven is completely cooled. Wipe up excess soil and do the cleaning again.
Closing the door caused the oven flame out accidentally	When the oven temperature reaches the setting temperature, the flame inside the oven will be small. Closing the door at the minimum flame will cause the flame out accidentally. Please make sure the small flame is going to be bigger before you close the door (no more than 60s)

Wire diagram



Caution: Label all wires prior to disconnection when servicing controls. Wiring errors can cause improper and dangerous operation. Verify proper operation after servicing.

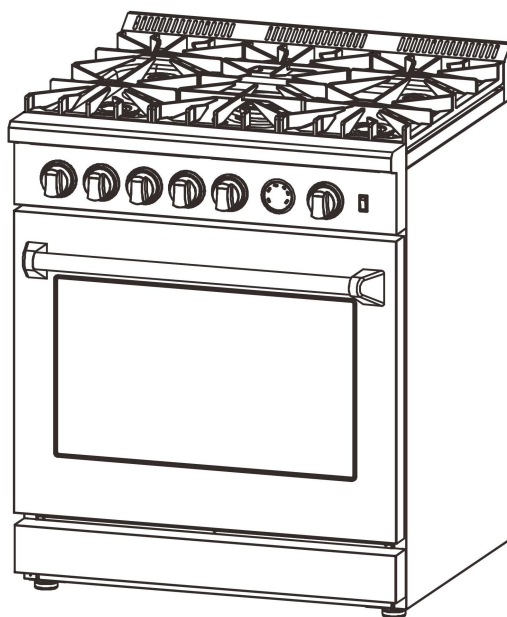


CUISINIÈRE À GAZ AMOVIBLE DE 30 POUCES



Conforme à la norme ANSI Z21.1-2018. Homologué conformément à la norme CSA1.1-2018. Appareils de cuisson à gaz domestiques.

GUIDE D'INSTALLATION SPÉCIFICATIONS, INSTALLATION ET PLUS NUMÉROS DE: FFSGS6276-30



Contenu

INFORMATION POUR LE CLIENT.....	33
Dispositif anti-basculement.....	33
Installation du support anti-basculement.....	34
CONSIGNES DE SÉCURITÉ	35
Fonctionnalités de la cuisinière.....	39
Consignes d'installation.....	40
Installation des grilles de brûleur de la table de cuisson.....	42
Installation de la poignée de porte.....	42
Indication électrique.....	43
Exigences de l'alimentation électrique.....	44
Alimentation en gaz.....	44
Vanne d'arrêt de gaz (non fournie).....	45
Dimensions du produit et des armoires.....	45
Installation de la hotte d'aspiration.....	47
Opération de conversion de gaz.....	48
Raccord à l'alimentation en gaz.....	55
Fonctionnement de la table de cuisson.....	55
Fonctionnement du four.....	59
Conseils de nettoyage du four.....	60
Nettoyage à la vapeur.....	61
Thermostat du four et indicateur de température.....	61
Recommandations d'entretien et de nettoyage.....	61
Conseils de dépannage.....	62
Diagramme de câblage.....	64


INFORMATION POUR LE CLIENT

Sécurité de la cuisinière

Votre sécurité et celle d'autres personnes sont très importantes.

Cette cuisinière est conforme à la norme ANSI STD Z21.1-2018 et est homologuée CSA STD 1.1-2018 pour les électroménagers de cuisson à gaz.

De nombreux messages de sécurité importants ont été fournis dans ce guide et sur votre appareil. Lisez et

	Il s'agit d'un symbole d'alerte de sécurité qui vous avertira des dangers potentiels de sécurité des personnes ou des biens. Respectez tous les messages de sécurité pour éviter tout dommage matériel, blessure corporelle ou la mort.
⚠️ AVERTISSEMENT	Avant d'utiliser cette cuisinière, assurez-vous d'effectuer des tests de fuite sur toutes les connexions en utilisant des solutions d'eau savonneuse. Ne pas le faire peut entraîner des risques potentiels pour la sécurité des personnes ou des biens.
⚠️ AVERTISSEMENT	L'AVERTISSEMENT indique une situation potentiellement dangereuse qui, si elle n'est pas évitée, pourrait causer des blessures graves ou mortelles.
⚠️ MISE EN GARDE	LA MISE EN GARDE indique une situation de danger modéré qui, si elle n'est pas évitée, pourrait entraîner des blessures mineures ou modérées. Tous les messages de sécurité vous alerteront du danger potentiel et le moyen de réduire les risques de blessure et vous indiqueront ce qui peut se produire si les consignes ne sont pas suivies.
⚠️ AVERTISSEMENT Si les informations contenues dans ce guide ne sont pas suivies à la lettre, un incendie ou une explosion peuvent se produire et causer des dommages matériels, des blessures graves même mortelles. N'entreposez pas et n'utilisez pas d'essence ou d'autres vapeurs et liquides inflammables près de cet appareil ou de tout autre appareil. -QUE DEVEZ- VOUS FAIRE SI VOUS SENTEZ UNE ODEUR DE GAZ • • N'essayez pas d'activer un appareil quel qu'il soit. • Ne touchez à aucun interrupteur électrique. • N'utilisez aucun téléphone se trouvant dans votre immeuble. • Appelez immédiatement votre fournisseur de gaz en utilisant le téléphone d'un voisin. Suivez les consignes du fournisseur de gaz • Si vous ne pouvez pas accéder à votre fournisseur de gaz, appelez le service d'incendie. L'installation et le service doivent être effectués par un installateur qualifié, un centre de service ou le fournisseur de gaz.	

Dispositif anti-basculement

⚠️ AVERTISSEMENT

Risque de basculement



Un enfant ou un adulte peut faire basculer la cuisinière et cela peut causer des blessures graves ou mortelles.

Installez le dispositif anti-basculement sur la cuisinière et/ou la structure conformément aux consignes d'installation.

Engagez la cuisinière sur le dispositif anti-basculement installé sur la structure.

Si la cuisinière est retirée, réengagez le dispositif anti-basculement.

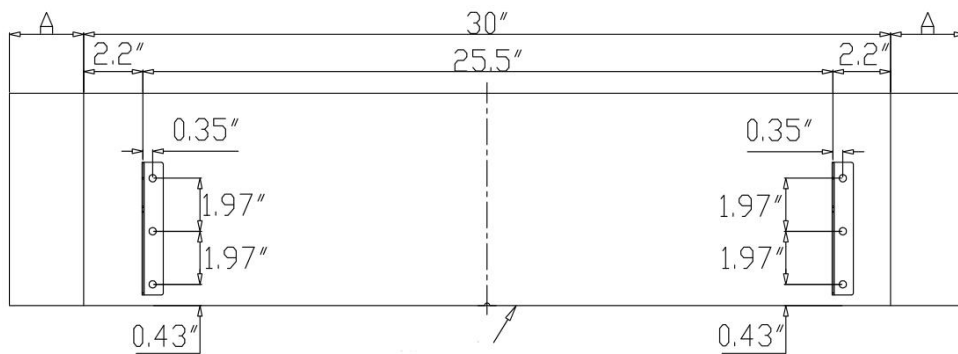
Si ces précautions ne sont pas respectées, la mort ou les blessures graves et/ou des brûlures peuvent survenir chez les enfants et les adultes.

La cuisinière doit être sécurisée à l'aide d'un dispositif anti-basculement correctement installé et fourni avec la cuisinière afin de réduire son risque de basculement. Reportez-vous aux consignes d'installation fournies avec la fixation pour obtenir toutes les précisions avant de commencer l'installation. Toutes les cuisinières peuvent basculer et causer des blessures.

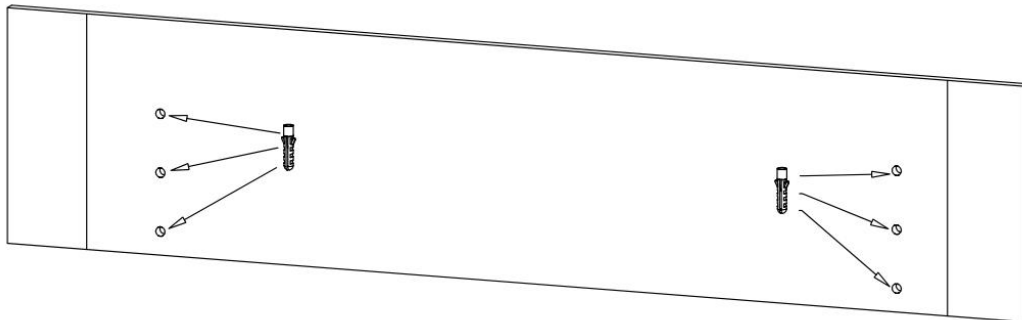
Installation du support anti-basculement

4. Percez 6 trous sur le mur avec les tailles correctes selon le tableau ci-dessous:

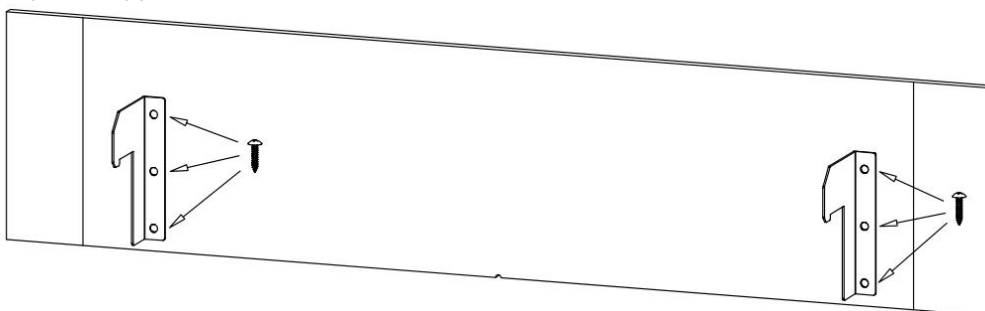
Type de mur	Diamètre du trou
Mur en bois	0.1"
Mur en béton	0.31"



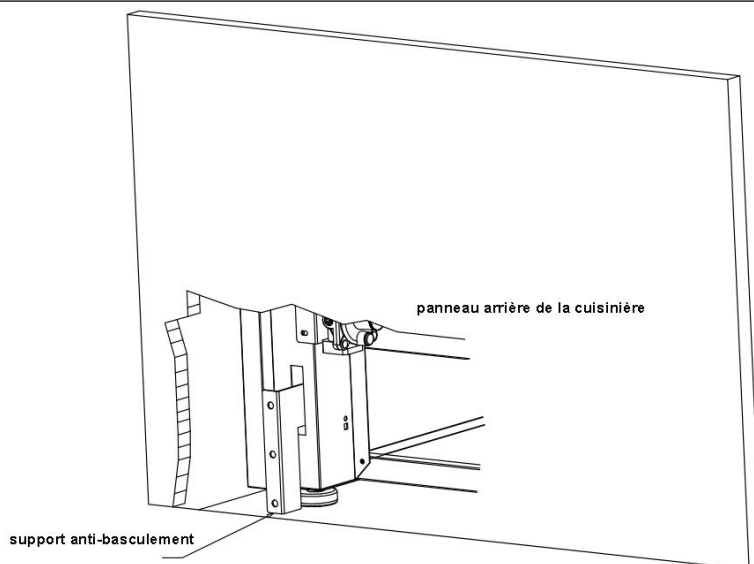
5. Veuillez trouver les manchons en plastique dans le sac de pièces et les mettre dans les trous du mur.



3. Veuillez trouver les plaques anti-basculement dans le sac de pièces et les fixer au mur à l'aide des vis. Assurez-vous que le support anti-basculement est solidement fixé au mur.



4. Faites glisser la cuisinière vers l'avant sur le support anti-basculer, assurez-vous que le support anti-basculer s'insère dans deux trous sur le panneau arrière de la cuisinière.



CONSIGNES DE SÉCURITÉ IMPORTANTES

LISEZ TOUTES LES INFORMATIONS AVANT L'UTILISATION DE L'APPAREIL

⚠ AVERTISSEME

Lisez toutes les consignes de sécurité avant l'utilisation du produit. Le non-respect de ces consignes peut causer un incendie, une décharge électrique, des blessures graves ou la mort.

CONSIGNES DE SÉCURITÉ GÉNÉRALES

⚠ AVERTISSEME

N'utilisez jamais cette unité comme appareil de chauffage pour réchauffer ou chauffer la pièce. Cela pourrait entraîner une intoxication au monoxyde de carbone et une surchauffe du four.

1. Utilisez cette cuisinière aux fins prévues et décrites dans ce guide d'utilisation.
2. Un installateur qualifié doit installer votre cuisinière avec une mise à la terre adéquate, conformément aux consignes d'installation fournies.
3. Tout ajustement ou entretien ne doit être effectué que par un installateur ou technicien qualifié pour cuisinière au gaz. N'essayez pas de faire vous-même la réparation ou le remplacement d'une pièce de votre cuisinière à moins que cela ne soit spécifiquement recommandé dans ce guide.
4. Votre cuisinière est expédiée de l'usine pour une utilisation avec le gaz naturel ou le gaz propane (PL). Elle peut être convertie pour une utilisation avec l'un ou l'autre. Ces réglages doivent être effectués par un technicien qualifié conformément aux consignes d'installation et aux codes locaux si cela est nécessaire. L'agence effectuant ce travail assume la responsabilité de la conversion.
5. Demandez à l'installateur de vous indiquer l'emplacement de la vanne d'arrêt du gaz de la cuisinière et le moyen de la fermer, si cela est nécessaire.
6. Branchez votre cuisinière à une prise de courant mise à la terre de 110/120 volts uniquement. Ne retirez pas la broche de terre ronde de la fiche. En cas de doute sur la mise à la terre du système électrique domestique, vous avez la responsabilité et l'obligation de disposer d'une prise non mise à la terre conformément au Code National de l'Electricité. N'utilisez pas de rallonge électrique avec cette cuisinière.
7. Avant d'effectuer tout entretien, débranchez la cuisinière ou l'alimentation électrique du panneau de distribution domestique en retirant le fusible ou en coupant le disjoncteur.

8. Assurez-vous que tout le matériel d'emballage est retiré de la cuisinière avant utilisation afin d'empêcher l'inflammation de ce matériel.
9. Évitez d'égratigner ou de heurter les panneaux en verre car cela risque de briser le verre. Ne cuisinez pas sur un produit au verre brisé. Une décharge électrique, un incendie ou des coupures peuvent se produire.
10. Ne laissez pas les enfants seuls ou sans surveillance dans une zone où cet appareil est utilisé. Ils ne devraient jamais être autorisés à grimper, s'asseoir ou se tenir debout sur une pièce quelconque de la cuisinière.

11. **⚠ MISE EN GARDE** Ne rangez pas d'objets d'intérêt pour les enfants dans des armoires situées au-dessus d'un four. Les enfants qui montent dans le four pour atteindre ces objets pourraient être sérieusement blessés.
12. Ne bloquez jamais les événements de la cuisinière. Ils fournissent les entrées et les sorties d'air nécessaires au bon fonctionnement de la cuisinière avec une combustion adéquate. Les ouvertures d'aération sont situées à l'arrière de la table de cuisson, en haut et en bas de la portière du four et au bas de la cuisinière.
13. N'utilisez que des poignées sèches. Les poignées humides ou mouillées sur des surfaces chaudes peuvent causer des brûlures par la vapeur. Ne laissez pas les poignées toucher aux brûleurs de surface, à la grille du brûleur ou aux éléments chauffants du four. N'utilisez pas de serviette ni d'autres tissus épais à la place des poignées.
14. Ne touchez pas aux éléments chauffants ou aux parois intérieures du four. Même si les surfaces sont de couleur foncée, elles peuvent être suffisamment chaudes pour causer des brûlures. Pendant et après l'utilisation, ne touchez pas et ne laissez pas les vêtements ou autres matériaux inflammables entrer en contact avec l'intérieur du four ; laissez suffisamment de temps pour le refroidissement. Les autres surfaces de l'appareil peuvent devenir très chaudes et causer des brûlures. Les surfaces potentiellement chaudes incluent les brûleurs, les grilles, l'ouverture de ventilation du four, les surfaces près de l'ouverture, les crevasses autour de la portière du four, les éléments décoratifs métalliques au-dessus de la porte, tout support arrière ou la surface de la tablette supérieure.
15. Ne chauffez pas les contenants d'aliments non ouverts. La pression pourrait augmenter et le conteneur pourrait éclater et causer des blessures.

⚠ AVERTISSEMENT

Extrêmement lourd.

Un équipement approprié et une main-d'œuvre adéquate sont nécessaires pour déplacer la cuisinière afin d'éviter des blessures corporelles ou des dommages à l'appareil ou au sol.

Le non-respect de ces conseils peut entraîner des dommages ou des blessures.

⚠ AVERTISSEMENT

NE PAS porter ni soulever la cuisinière par la poignée de la porte du four ou le panneau de commande !



CORRECT



INCORRECT



INCORRET

⚠ AVERTISSEMENT

Cuisez les aliments à fond pour vous protéger contre les maladies d'origine alimentaire. Les recommandations relatives à la température minimale sécuritaire pour les aliments sont disponibles sur www.IsItDoneYet.gov et www.fsis.usda.gov. Utilisez un thermomètre pour aliments pour prendre la température des aliments à divers endroits.

Ne laissez personne grimper, se tenir debout ou se suspendre à la portière du four, au tiroir ou à la table de cuisson. Cela pourrait endommager la cuisinière et celle-ci pourrait basculer et causer des blessures graves ou mortelles. Gardez la hotte du ventilateur et le filtre à graisses propres pour le maintien d'une bonne ventilation et éviter les incendies de

graisse. ÉTEIGNEZ le ventilateur en cas d'incendie ou en cas de d'utilisation intentionnelle d'alcool ou d'autres essences pour flamber un aliment sur la table de cuisson. Si le ventilateur est en marche, il pourrait propager des flammes.

⚠️ AVERTISSEMENT GARDEZ LES MATÉRIEAUX INFLAMMABLES LOIN DE LA CUISINIÈRE

Le non-respect de cette consigne peut provoquer un incendie ou des

Ne rangez pas et n'utilisez pas de matériaux inflammables dans un four ou près de la table de cuisson. Ceux-ci comprennent le papier, le plastique, les poignées, les linges, les revêtements muraux, les rideaux, les draperies et le carburant ou d'autres liquides et vapeurs inflammables.

Lors de l'utilisation de l'appareil, ne portez jamais de vêtements amples ou drapés. Si ces vêtements entrent en contact avec des surfaces chaudes, ils peuvent s'enflammer et provoquer des brûlures graves.

Ne laissez pas d'huile de cuisson ou d'autres matières inflammables s'accumuler dans la cuisinière ou à proximité de celle-ci.

Les graisses se trouvant dans le four ou sur la table de cuisson peut s'enflammer.

⚠️ AVERTISSEMENT

EN CAS D'INCENDIE, PRENEZ LES MESURES SUIVANTES POUR ÉVITER LES BLESSURES ET LA PROPAGATION DU FEU.

N'utilisez pas d'eau sur les incendies de graisse. Ne prenez jamais une casserole en flammes. Arrêtez les commandes. Éteignez une poêle en flammes sur un élément de surface en la recouvrant complètement avec un couvercle bien ajusté, une plaque à pâtisserie ou un plateau plat. Utilisez un extincteur polyvalent à poudre chimique ou à mousse.

En cas d'incendie dans le four pendant la cuisson, étouffez le feu en fermant la porte du four et en éteignant le four ou en utilisant un extincteur polyvalent à poudre chimique ou à mousse. S'il y a un incendie dans le four pendant l'auto-nettoyage, éteignez le four et attendez que l'incendie se dissipe.

Le non-respect de ces consignes peut entraîner de graves brûlures.

⚠️ AVERTISSEMENT CONSIGNES DE SÉCURITÉ POUR LA TABLE DE CUISSON

Ne laissez jamais les brûleurs de surface sans surveillance à des réglages de chaleur moyenne ou élevée. Les aliments, et en particulier les aliments gras peuvent s'enflammer et causer un incendie qui pourrait se propager aux armoires environnantes.

Ne laissez jamais d'huile sans surveillance pendant la friture. Si on laisse chauffer au-delà de son point de fumée, l'huile peut s'enflammer et causer un incendie et se propager aux armoires environnantes. Utilisez autant que possible un thermomètre à friture pour surveiller la température de l'huile.

Pour éviter les débordements d'huile et les incendies, utilisez une quantité minimale d'huile lorsque vous faites frire dans une casserole peu profonde et évitez de cuire des aliments congelés contenant une quantité excessive de glace.

Utilisez une casserole de taille appropriée et évitez les casseroles instables ou qui basculent facilement. Sélectionnez un ustensile de cuisine correspondant à la taille du brûleur. Les flammes des brûleurs doivent être ajustées de manière à ne pas dépasser le fond de la casserole. Les flammes excessives peuvent être dangereuses.

Lorsque vous utilisez des ustensiles de cuisson en verre/céramique, assurez-vous qu'ils conviennent à la table de cuisson; quelques-uns peuvent se briser à cause d'un changement soudain de température.

Pour minimiser les risques de brûlure, d'inflammation de matériaux inflammables et de déversement, les poignées des casseroles doivent être tournées vers le centre de la cuisinière sans s'étendre sur les brûleurs voisins.

N'utilisez pas de wok avec un support métallique rond. L'anneau peut piéger la chaleur et bloquer l'air se trouvant dans le brûleur, ce qui présente un risque de monoxyde de carbone.

N'essayez pas de soulever la table de cuisson. Vous risquerez d'endommager les tuyaux de gaz des brûleurs de surface,

entraînant donc une fuite de gaz et un risque d'incendie.

N'utilisez pas de papier en aluminium pour couvrir les grilles ou recouvrir une pièce de la table de cuisson. Cela pourrait entraîner une intoxication au monoxyde de carbone, une surchauffe des surfaces de la table de cuisson ou un risque d'incendie.

AVERTISSEMENT **CONSIGNE DE SÉCURITÉ DU FOUR**

NE recouvrez JAMAIS les fentes, les orifices ou les passages au fond du four et ne couvrez pas une grille entière en utilisant des matériaux tels que le papier en aluminium ou les revêtements de four. Cela bloque la circulation de l'air dans le four et peut causer une intoxication au monoxyde de carbone. Ne placez jamais de papier d'aluminium ou de revêtement de four au fond du four. Ils peuvent piéger la chaleur et causer un risque de fumée ou d'incendie.


Éloignez-vous de la cuisinière lorsque vous ouvrez la portière du four. Les fuites d'air chaud ou de vapeur peuvent causer des brûlures aux mains, au visage et/ou aux yeux.


Ne placez jamais d'ustensiles de cuisine, de pizza ou de pierres de cuisson, ou tout type de papier d'aluminium ou de support au bas du four. Ces éléments peuvent piéger la chaleur ou fondre, ce qui peut endommager le produit et causer une décharge, de la fumée ou un incendie.

Placez les grilles du four à l'endroit désiré après que le four devient froid. Si la grille doit être déplacée alors que le four est chaud, veillez à ne pas toucher les surfaces chaudes.

Ne laissez pas d'objets tels que du papier, des ustensiles de cuisine ou des aliments dans le four lorsqu'il n'est pas utilisé. Les articles rangés dans un four peuvent s'enflammer.

Ne laissez pas d'objets sur la table de cuisson près de la ventilation du four. Les articles peuvent surchauffer et entraîner un risque d'incendie ou de brûlures. N'utilisez jamais la fonction du grilloir alors que la porte du four est ouverte. Le grillage à porte ouverte n'est pas recommandé en raison de la surchauffe des boutons de commande.

 **AVERTISSEMENT** Ce produit peut vous exposer à des produits chimiques, notamment au monoxyde de carbone, reconnu par l'État de la Californie pour ses effets néfastes sur le développement. Pour plus d'informations, consultez le site www.P65Warnings.ca.gov. Pour minimiser l'exposition à ces substances. Utilisez toujours cet appareil conformément au guide de l'utilisateur et veillez à assurer une ventilation adéquate.

 **AVERTISSEMENT** L'installation doit être conforme aux codes locaux ou, en l'absence de codes locaux, au National Fuel Gas Code, ANSI STD Z21.1-2018/NFPA 54 ou, au Canada, au Code d'installation du gaz naturel et propane, CSA B149.1".
et sous l'étiquette :

AVERTISSEMENT

Ne jamais faire fonctionner la partie supérieure de l'appareil sans surveillance

Le non-respect de cet avertissement peut entraîner un incendie, une explosion ou un risque de brûlure pouvant causer des dommages matériels, des blessures ou la mort.

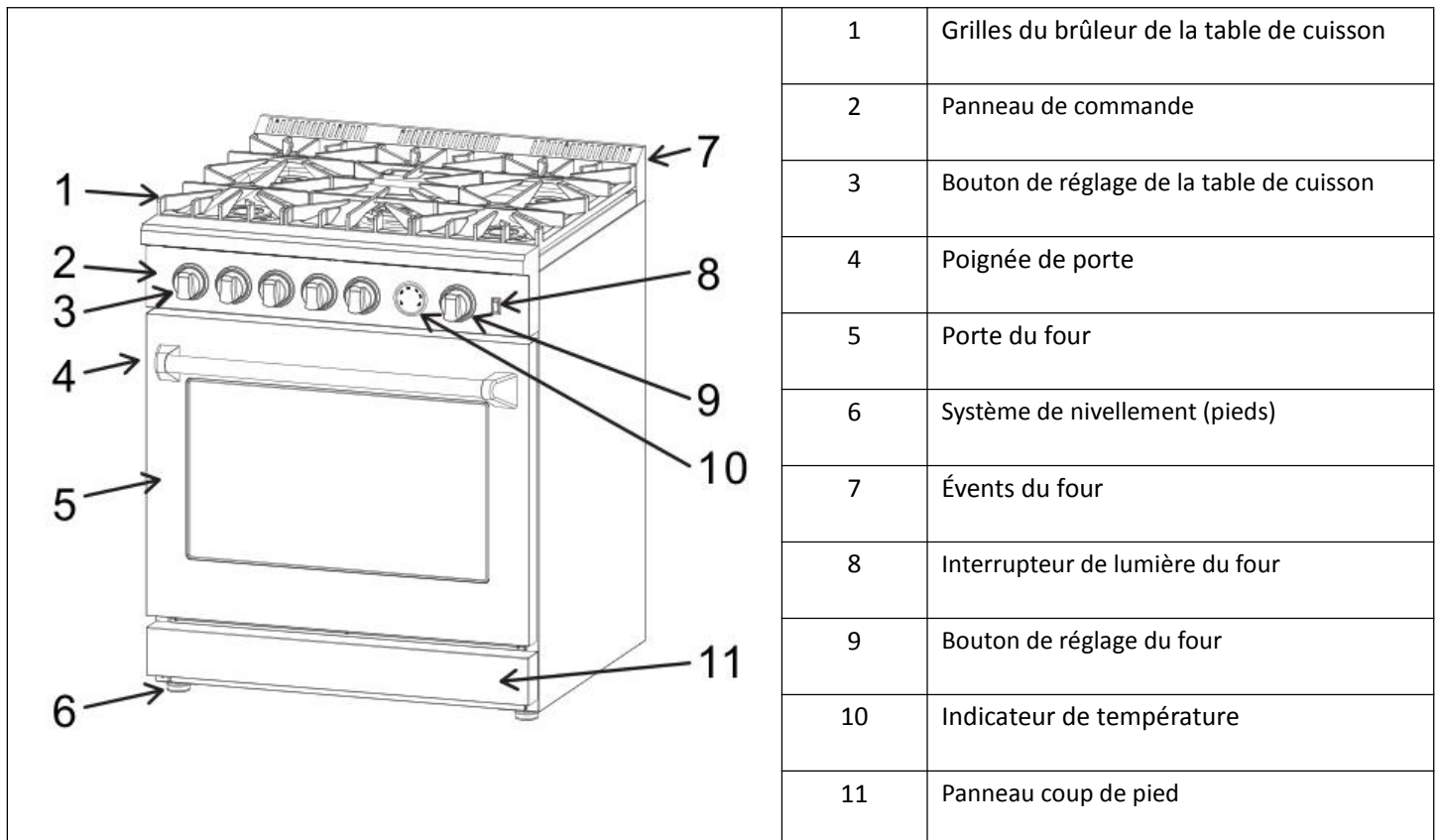
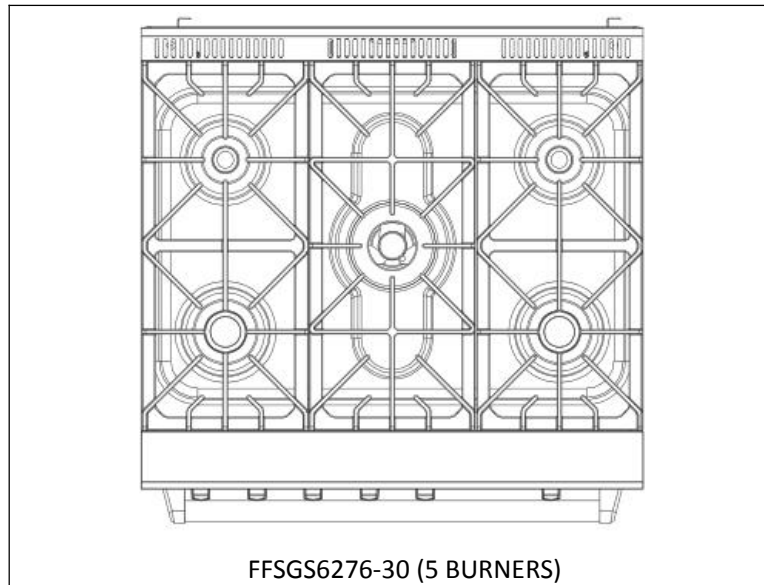
En cas d'incendie, tenez-vous à l'écart de l'appareil et appelez immédiatement les pompiers.

NE TENTEZ PAS D'ÉTEINDRE UN FEU D'HUILE OU DE GRAISSE AVEC DE L'EAU

AVERTISSEMENT

Pour évacuer rapidement l'odeur de « brûlé » ou « d'huile » émise par un four neuf, tournez le bouton du four à la position « Broil » et laissez fonctionner pendant 30 minutes avant la première utilisation.


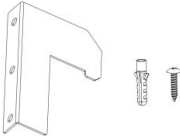
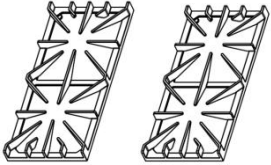
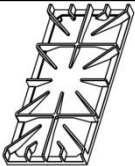

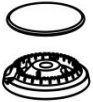
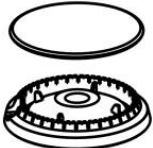
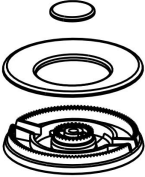


Fonctionnalités de la cuisinière

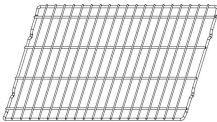

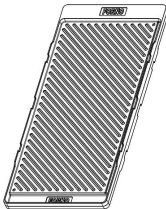
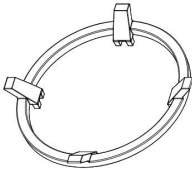
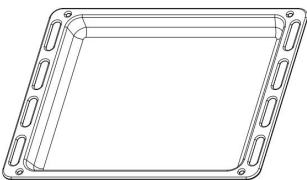
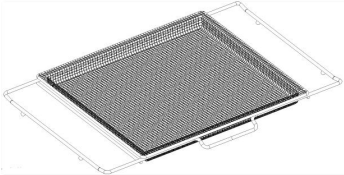


Consignes d'installation











Avant d'utiliser votre cuisinière

3. Retirez tout le matériel d'emballage.
4. Assurez-vous d'avoir tous les accessoires énumérés ci-dessous

	<p>Buses GPL: 1 pièce 0,5; 2 pièces 0,85; 2 pièces 1,18; 2 pièces 0,9; 1 pièce 1,18; 1 pièce 0,95.</p>	<p>1 paquet</p>
	<p>Support anti-basculement, manchons et vis en plastique</p>	<p>1 ensemble</p>
	<p>Grilles gauche et droite</p>	<p>1 ensemble</p>
	<p>Grille centrale (*pour FFSGS6276-30 seulement)</p>	<p>1 ensemble</p>
	<p>Poignée de porte de four</p>	<p>1 ensemble</p>
	<p>Capuchon et brûleur (95 000 BTU)</p>	<p>2 ensembles</p>
	<p>Capuchon et brûleur (160 000 BTU)</p>	<p>2 ensembles</p>
	<p>Capuchon et brûleur (190 00BTU)</p>	<p>1 ensemble</p>
	<p>Régulateur (pré-installé)</p>	<p>1 pièce</p>
	<p>Autocollant portant le numéro de série et manuel d'instructions</p>	<p>1 ensemble</p>

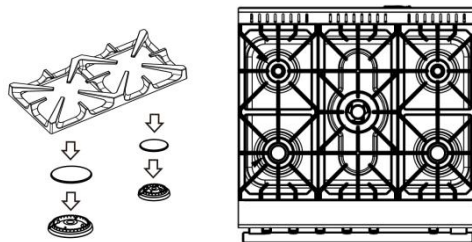
	Grilles de four	2 pièces
	Plaque inférieur	1 pièce
	Plaque chauffante supérieure	1 pièce
	Support à Wok	1 pièce
	Plaque lèchefrite du four	1 pièce
	Grille et support pour friteuse à air	1 ensemble

VOUS AVEZ BESOIN D'OUTILS POUR L'INSTALLATION. (non fourni avec la cuisinière)

				
Tournevis	Clé	Clé à douille	Clé Allen	Ruban à mesurer et crayon
				
Gants de protection	Marteau	Clé ajustable	Pincés ajustables	Perceuse

Installation des grilles de brûleur de la table de cuisson

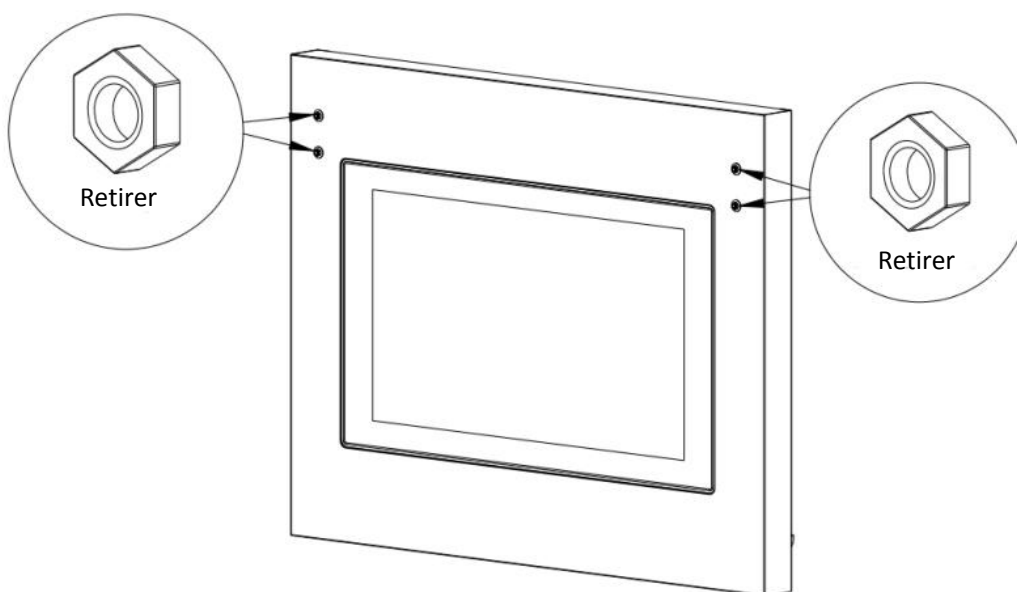
Retirez le matériel d'emballage des grilles des brûleurs de la table de cuisson. Placez les grilles de brûleur dans la position adéquate.



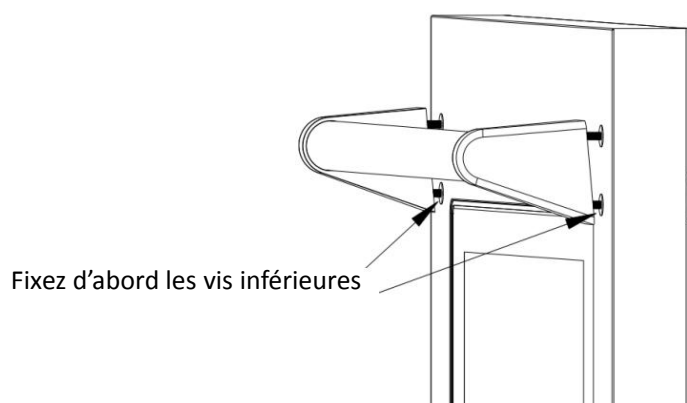
Installation de la poignée de porte

Étape 1 : Sortez la poignée de porte du sac.

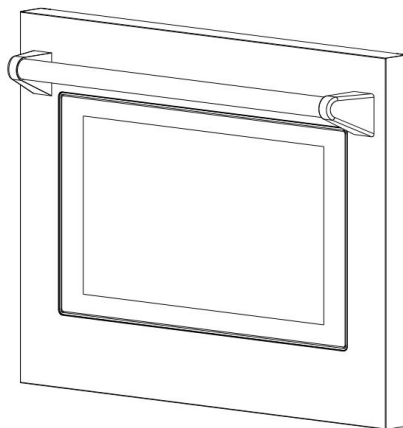
Étape 2 : Sortez quatre écrous sur la gauche et la droite de la porte, comme illustré.



Étape 3 : Positionnez la poignée sur la porte dans la bonne direction, comme illustré. Assurez-vous que les 4 boulons peuvent être vissés dans les trous situés sous les bases de la poignée aux deux extrémités. Serrez les vis inférieures aux deux extrémités en commençant par l'intérieur de la porte du four à l'aide d'un tournevis. Ensuite, serrez les deux vis supérieures.



Étape 4 : Vérifiez la poignée pour vous assurer qu'elle est installée correctement et solidement, comme illustré.



AVERTISSEMENT:

L'installation doit être effectuée étape par étape. **NE retirez PAS** la rondelle des vis situées à l'extérieur de la porte du

Indication électrique

Votre cuisinière doit être mise à la terre conformément aux codes locaux ou, en l'absence de codes locaux, selon le Code national de l'électricité (ANSI / NFPA 70, dernière édition). Au Canada, la mise à la terre électrique doit être conforme au Code Canadien de l'électricité CSA C22.1, section 1 et/ou aux codes locaux.

L'alimentation doit avoir la polarité adéquate. Une polarité inversée provoquera en continu des étincelles des électrodes, même après la flamme d'allumage. En cas de doute sur la polarité appropriée de l'alimentation ou de la mise à la terre, faites-la vérifier par un électricien qualifié.

EXIGENCES ÉLECTRIQUES

Alimentation électrique	Mise à la terre, 110 V CA, 60Hz
Service	15 A ou circuit dédié de 20 A
Prise	Types de mise à la terre à 3 broches

⚠️ AVERTISSEMENT

Consignes de mise à la terre électrique : Cette cuisinière est équipée d'une fiche à trois broches (mise à la terre) pour vous protéger contre les risques d'électrocution et doit être branchée directement dans une prise à trois broches correctement mises à la terre. **Ne pas couper** ou retirer la broche de mise à la terre de la fiche.

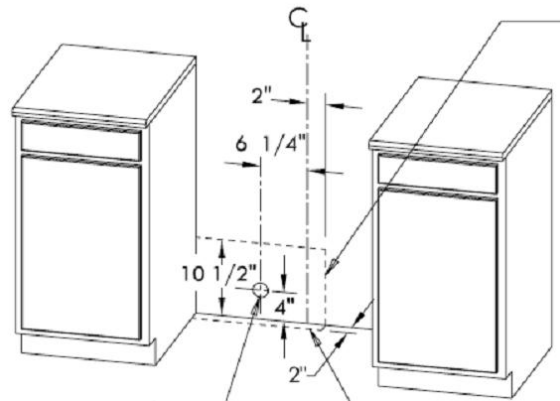
⚠️ MISE EN GARDE

Étiquetez tous les fils avant la déconnexion lors de l'entretien des commandes. Les erreurs de câblage peuvent causer un fonctionnement incorrect et dangereux. Vérifiez le bon fonctionnement après l'entretien.

RISQUE DE DÉCHARGE ÉLECTRIQUE

Débranchez l'alimentation électrique au boîtier du disjoncteur ou au boîtier à fusibles avant d'installer l'appareil. Prévoyez une mise à la terre appropriée pour l'appareil. Utilisez uniquement des conducteurs en cuivre. Le non-respect de ces consignes peut entraîner des blessures graves ou la mort.

Exigences de l'alimentation électrique



La zone permet une installation encastrée avec connexion à travers le mur du bout de tuyau / vanne d'arrêt et d'une prise de 110/120 V sur le mur arrière

Connexion la plus courte à partir de l'emplacement du tuyau rigide et du raccordement de la cuisinière

La zone permet une installation encastrée avec connexion à travers le plancher du bout de tuyau / de la vanne d'arrêt

Alimentation en gaz

L'installation doit être conforme aux codes locaux ou, en l'absence des codes locaux, au Code national de gaz combustible, norme ANSI STD Z21.1-2018 / NFPA 54. Au Canada, l'installation doit être conforme à la norme actuelle d'installation/code de gaz naturel, CAN 1-1.1- M81 et aux codes locaux le cas échéant.

Cette cuisinière a été homologuée et conforme à la dernière édition de la norme ANSI STD Z21.1-2018.

Type de gaz:

GAZ NATUREL	WC
Pression d'alimentation	4"
Pression d'alimentation minimale	6"
Pression maximale du régulateur	14", 0.5 psi (3.5 kPa)
GAZ PL	WC
Pression d'alimentation	10"
Pression d'alimentation minimale	11"
Pression maximale du régulateur	14", 0.5 psi (3.5 kPa)

⚠ AVERTISSEMENT

N'obstruez pas le flux d'air de combustion dans la cuisinière et l'air de ventilation à la sortie de la cuisinière

Ventilation: il est recommandé de faire fonctionner l'appareil avec une hotte d'évacuation ventilée de la tête du four de dimensions et capacité suffisantes.

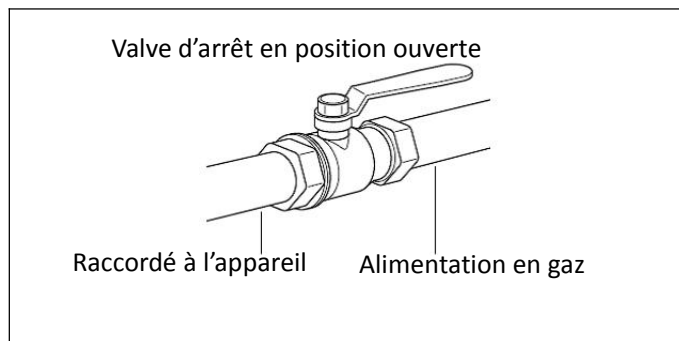
Régulateur de pression

Étant donné que la pression de service peut fluctuer en fonction de la demande locale, chaque cuisinière à gaz doit être équipée d'un régulateur de pression sur la ligne d'alimentation entrante pour un fonctionnement sûr et efficace. Le régulateur de pression livré avec la cuisinière est équipé de deux raccords femelles ½ po NPT. Le régulateur doit être installé correctement afin d'être accessible lorsque l'appareil est installé dans sa position finale.



Le régulateur de pression peut supporter une pression d'entrée maximale de 3,5 kPa (0,5 psi) et est réglé à une pression de sortie de 4 WC.

Vanne d'arrêt de gaz (non fournie)



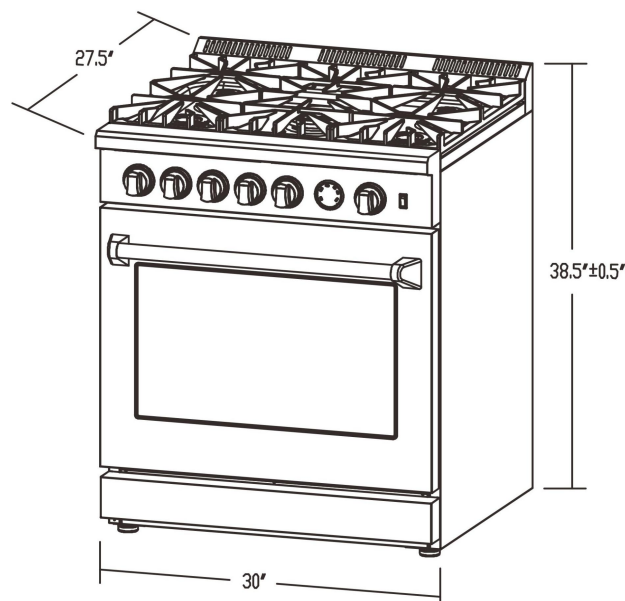
La conduite d'alimentation doit être équipée d'une vanne d'arrêt de gaz externe approuvée, située à proximité de la cuisinière dans un endroit accessible. Ne bloquez pas l'accès à la vanne d'arrêt. Reportez-vous à l'illustration.

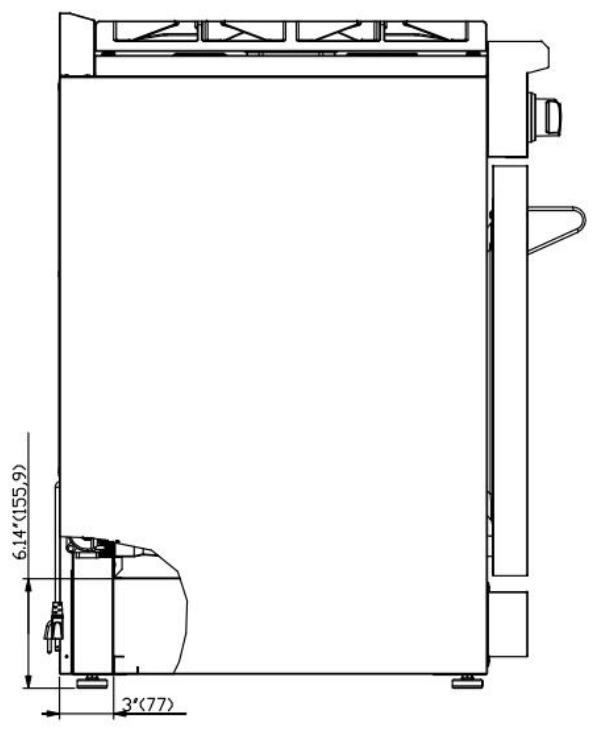
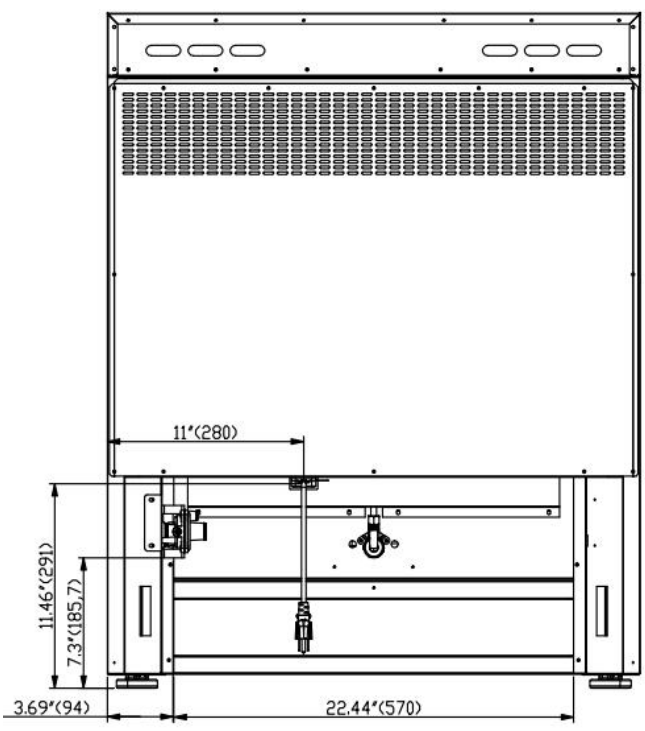
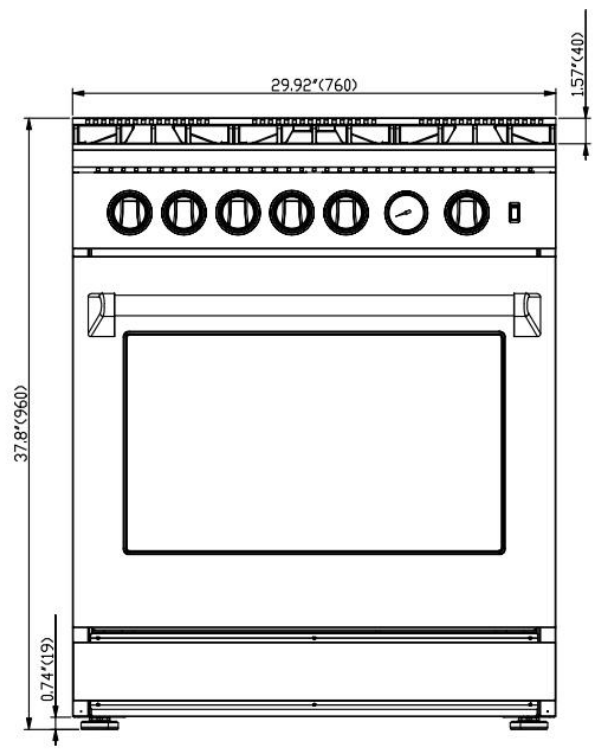
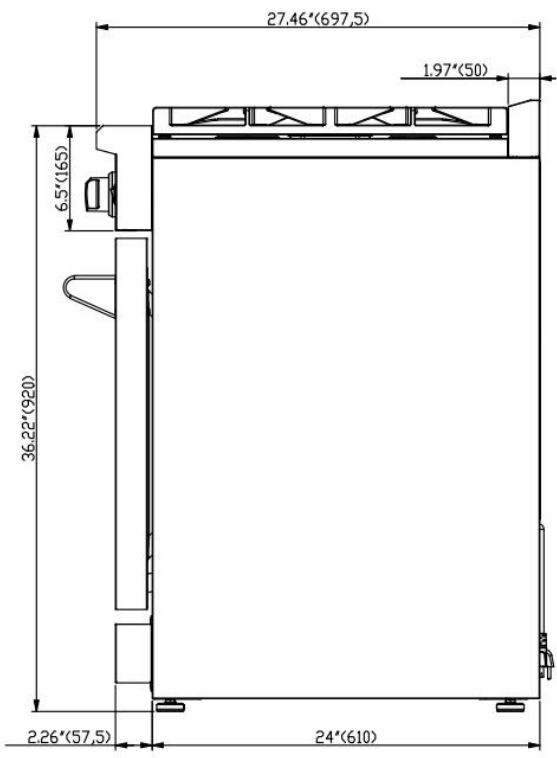
Une conduite d'alimentation en gaz d'un diamètre intérieur de $\frac{3}{4}$ po (19mm) doit être fournie avec la cuisinière. Si les codes locaux le permettent, il est recommandé d'utiliser un connecteur d'appareil flexible en métal certifié de 3 pi (900mm) de long, $\frac{1}{2}$ po (13mm) ou $\frac{3}{4}$ po (19mm) de diamètre intérieur, pour brancher l'entrée femelle NPT de $\frac{1}{2}$ po de l'appareil à la conduite d'alimentation en gaz. Les composés de joint de tuyau appropriés pour une utilisation avec le gaz naturel ou le gaz PL doivent être utilisés.

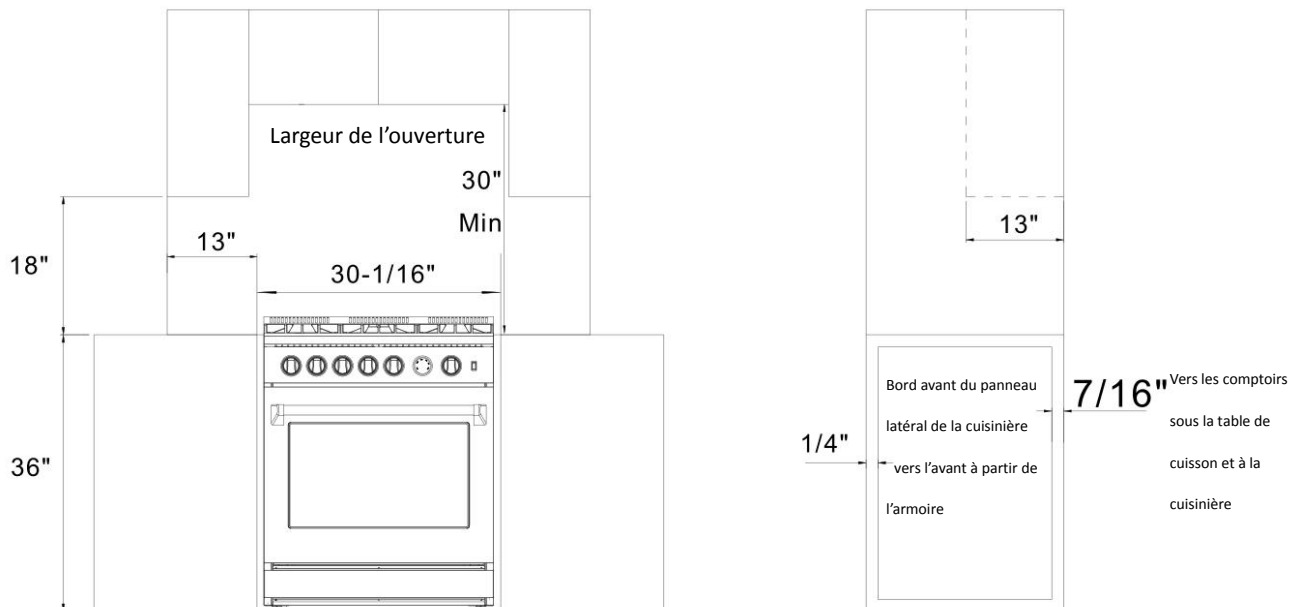
L'appareil et sa vanne d'arrêt doivent être débranchés du système de tuyauterie d'alimentation en gaz lors de tout test de pression du système à des pressions de test supérieures à 0,5 psi (3,5 kPa). L'appareil doit être isolé du système de tuyauterie d'alimentation en gaz en fermant sa vanne d'arrêt manuelle individuelle lors de tout test de pression du système à des pressions de test égales ou inférieures à 0,5 psi (3,5 kPa).

Dimensions du produit et des armoires

Cette cuisinière peut être installée directement à côté des armoires existantes à une hauteur de comptoir (36 po ou 91 cm du sol). Pour obtenir le meilleur aspect possible, la table de cuisson doit être au même niveau que le comptoir de l'armoire. Cela peut être obtenu en soulevant l'unité à l'aide des tiges de réglage sur les pieds.



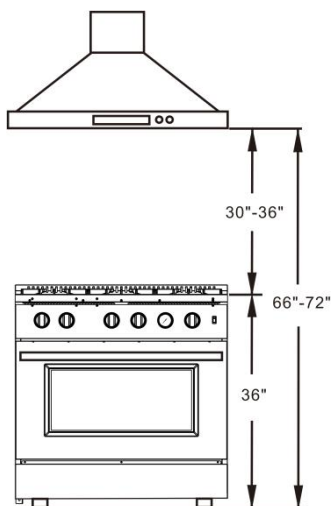




LARGEUR D'OUVERTURE Largeur
 Modèle de 30 po. 30 po.(762mm)

Installation de la hotte d'aspiration

Le bas de la hotte doit se situer entre 30 et 36 po au-dessus du comptoir. Cela signifiera généralement que le bas de la hotte se situerait entre 66 et 72 po au-dessus du sol. Ces dimensions permettent un fonctionnement sûr et efficace de la hotte.



Après l'installation :

1. Vérifiez l'allumage des brûleurs de la table de cuisson.
2. Vérifiez le réglage de l'obturateur d'air - flamme bleue vive, sans flamme jaune sautillante ou dansante.
3. Vérifiez l'allumage du brûleur du four.
4. Vérifiez visuellement le rallumage du brûleur tubulaire (brûleur du four) pour vous assurer que les deux rangées d'orifices du brûleur se rallument à chaque fois.
5. Vérifiez les fuites de gaz au niveau de toutes les connexions de gaz (à l'aide d'un détecteur de gaz, jamais de flamme).
6. Vérifiez la cuisson au four et la fonction de cuisson par convection.

Opération de conversion de gaz

Cette cuisinière peut être utilisée avec du gaz propane liquide et du gaz naturel. Elle est expédiée de l'usine pour une utilisation avec le gaz naturel (NG). Les buses de conversion sont incluses. Pour la conversion de gaz, suivez les instructions ci-dessous :

⚠️ AVERTISSEMENT

La conversion du gaz doit être effectuée par un professionnel formé en usine. Appelez le service clientèle à proximité de votre domicile pour identifier un des professionnels formés en usine.

⚠️ AVERTISSEMENT Avant d'effectuer cette opération, débranchez la cuisinière du gaz et de l'électricité.

Le non-respect de cette consigne peut entraîner un incendie ou un risque d'électrocution pouvant causer des blessures ou la mort. Ne retirez pas le régulateur et ne le laissez pas tourner pendant l'entretien.

La procédure de conversion de gaz pour cette cuisinière comprend 7 étapes :

1. Régulateur de pression
2. Brûleurs de la surface de cuisson
3. Brûleur du four
4. Brûleur du grilloir
5. Valve du four
6. Reconnectez l'alimentation en gaz et en électricité
7. Installation d'une étiquette de conversion au GPL

La conversion n'est pas terminée si les 7 étapes n'ont pas été correctement effectuées.

Avant d'effectuer la conversion de gaz, identifiez l'emballage contenant les buses de rechange livrées avec chaque cuisinière.

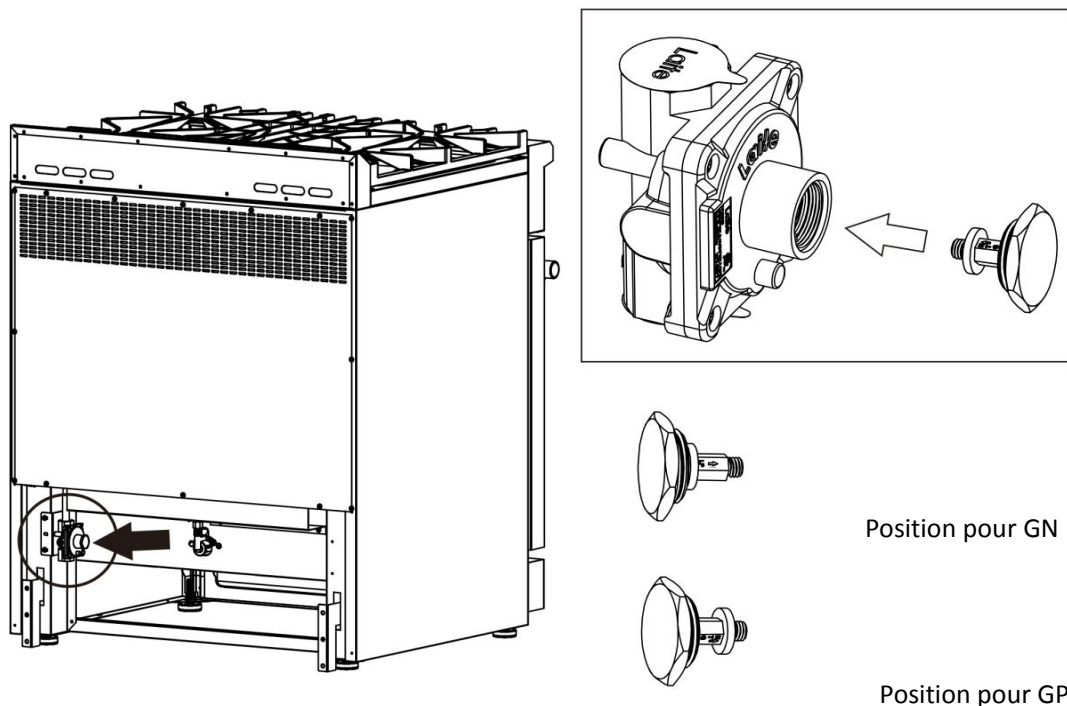
⚠️ AVERTISSEMENT

Avant d'effectuer cette opération, débranchez la cuisinière du gaz et de l'électricité. Le non-respect de cette consigne peut entraîner un incendie ou un risque d'électrocution pouvant causer des blessures ou la mort. Ne retirez pas le régulateur et ne le laissez pas tourner pendant l'entretien.

ÉTAPE 1 : Régulateur de pression

Pour accéder au régulateur de gaz, tirez la cuisinière du mur de l'armoire. Le régulateur de gaz est situé dans le coin inférieur droit de la cuisinière.

- a. Dévissez le capuchon du régulateur. Ne retirez pas le ressort du régulateur.
- b. Dévissez l'insertion blanche du capuchon et retournez-le de sorte que la tige la plus longue soit tournée vers le bouchon. Remplacez l'insertion sur le capuchon. Remplacez le capuchon sur le régulateur.



ÉTAPE 2 : Brûleurs de la surface de cuisson

a. Retirez les grilles de cuisson et les capuchons de brûleur.

b. Soulevez les têtes de brûleur externes et les bases de brûleur.

c. Retirez les buses de gaz naturel installées en usine du centre des porte-buses à l'aide d'une clé à douille de 7 mm. Remplacez la buse PL dans chaque porte-buse. Serrez chaque buse jusqu'à ce qu'elle soit bien ajustée. **Veillez à ne pas trop serrer.**



Position pour GN

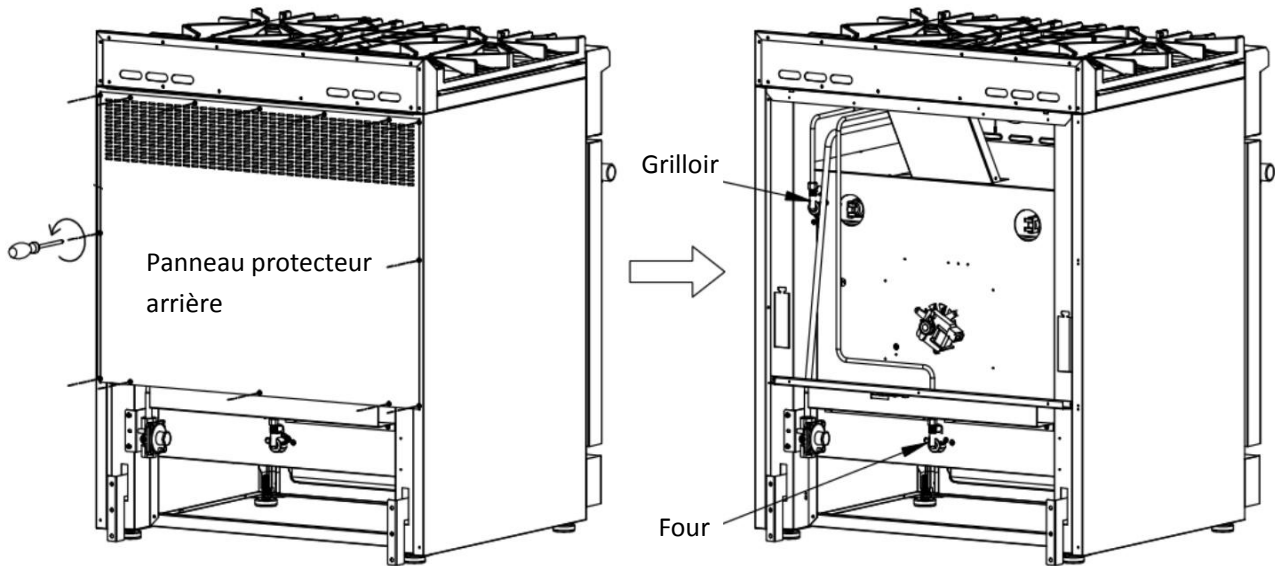
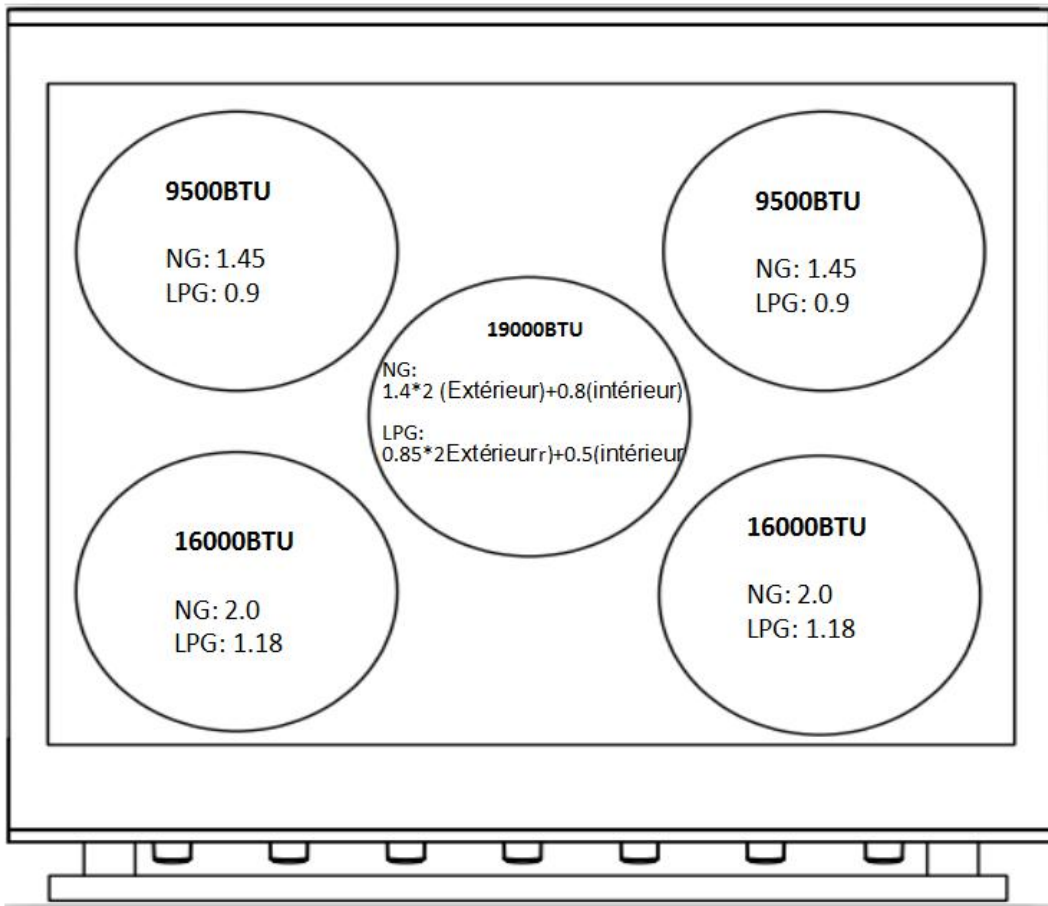
Position pour GPL

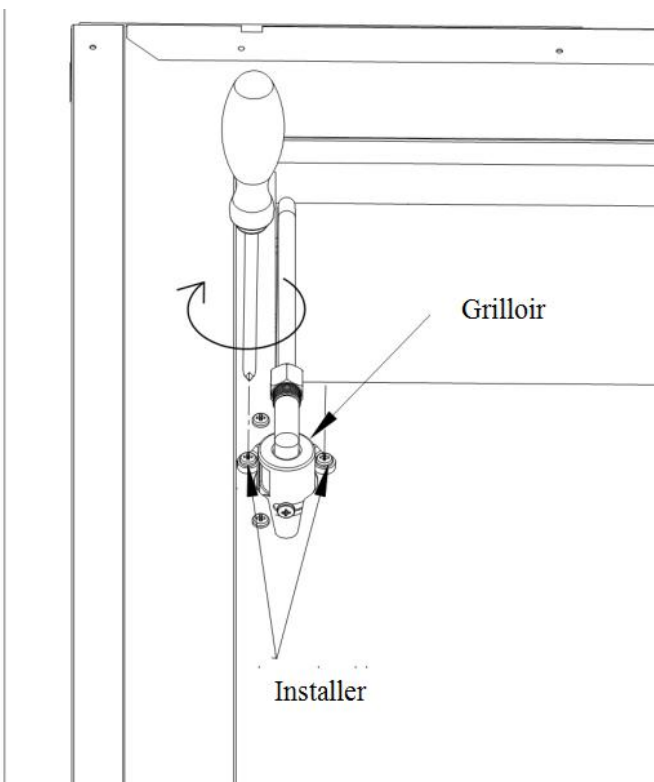
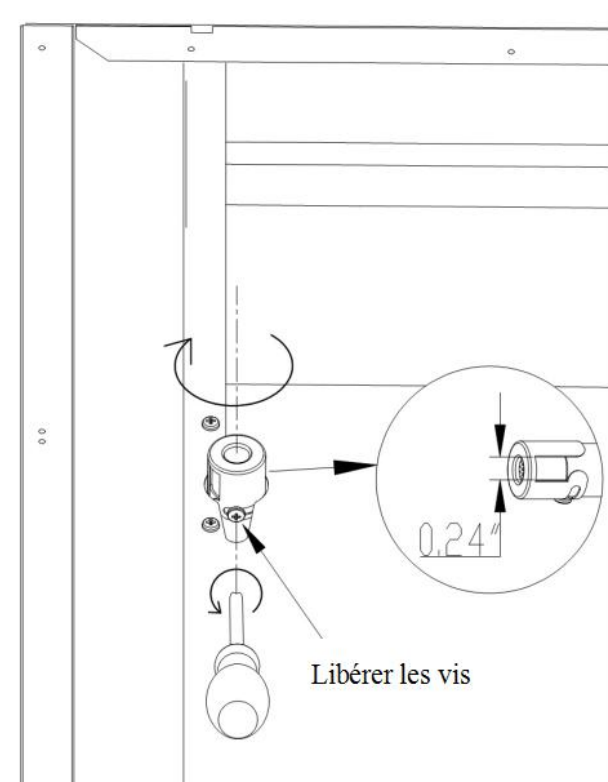
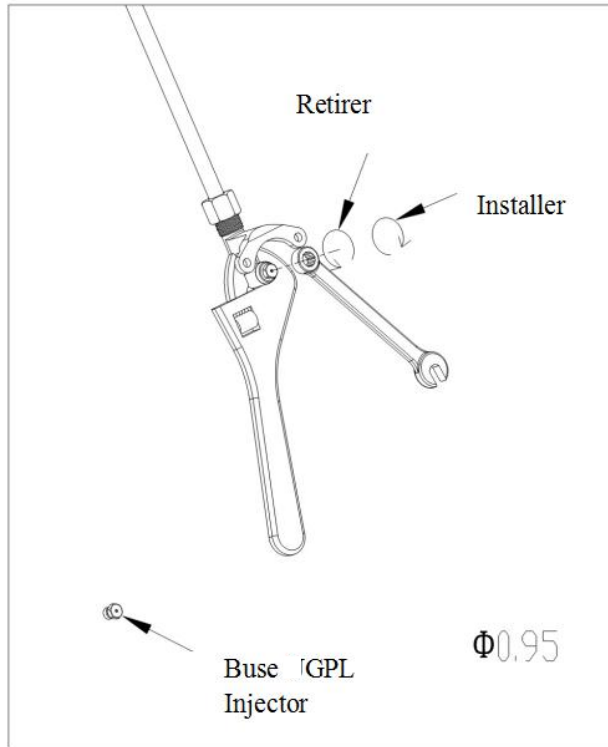
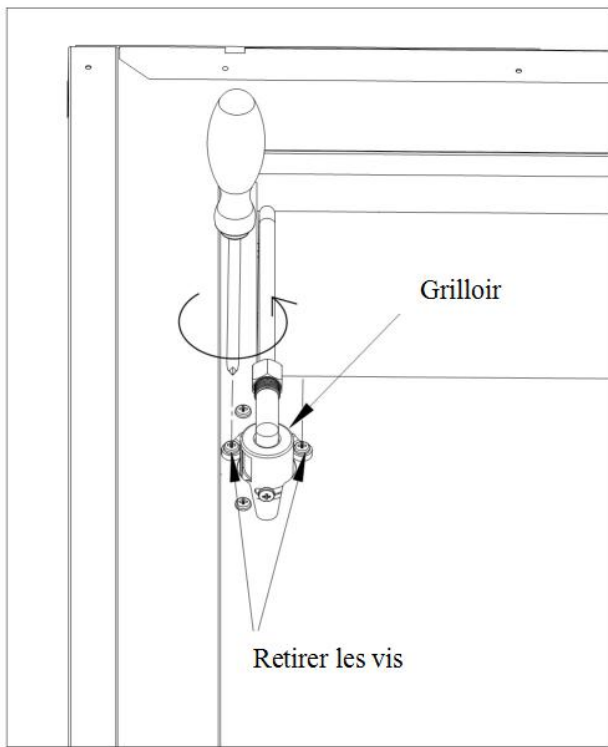
⚠ MISE EN GARDE Des précautions doivent être prises lors du retrait et du remplacement des composants du gaz. Utilisez un support approprié pour éviter des dommages aux composants.

IMPORTANT: Chaque buse a un numéro indiquant son diamètre de débit imprimé sur le corps. Consultez le tableau ci-dessous pour connaître les buses et les brûleurs correspondants.

⚠ MISE EN GARDE Le système de rallumage et le système de coupure automatique du gaz ne sont pas équipés sur les brûleurs de la table de cuisson. Si la flamme s'éteint par accident, vous devez immédiatement fermer la vanne pour couper l'alimentation en gaz.

ÉTAPE 3: Brûleur du grilloir (brûleur supérieur du four)



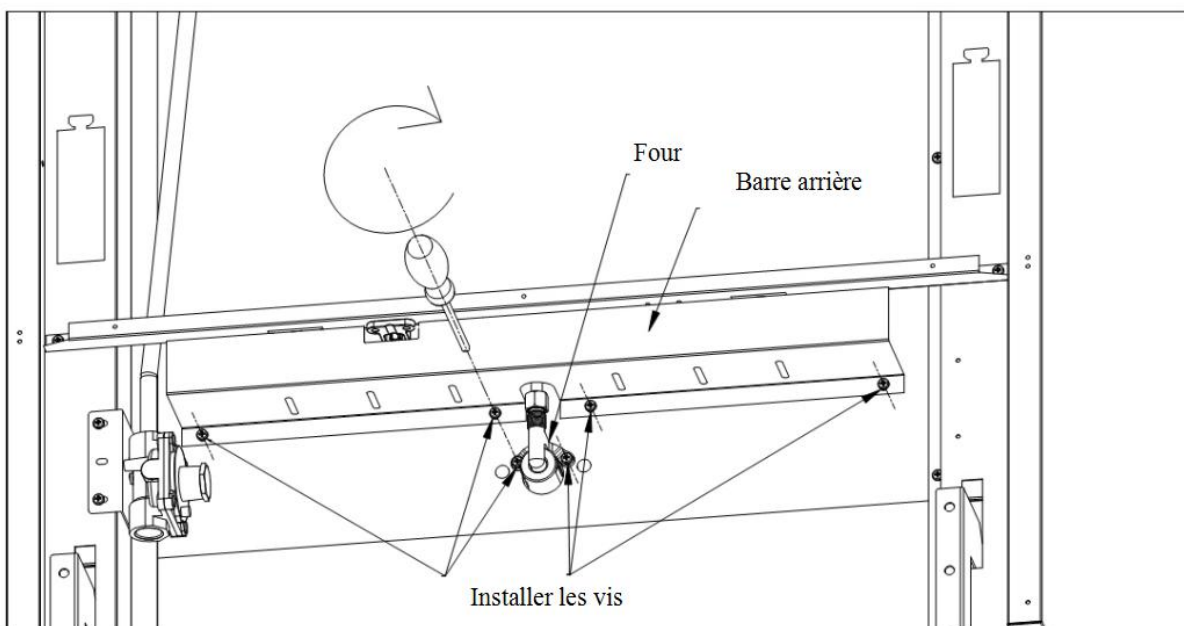
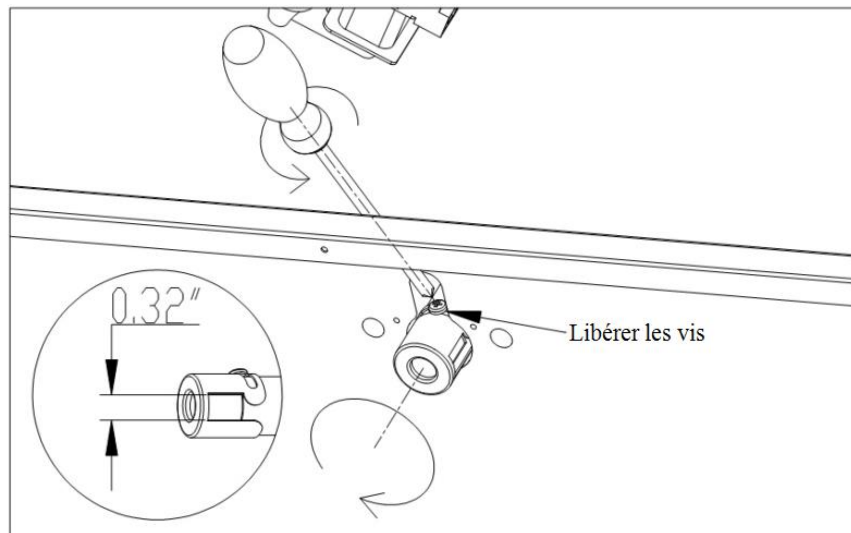
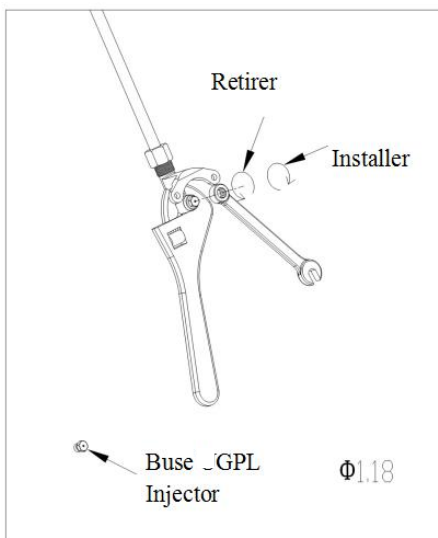
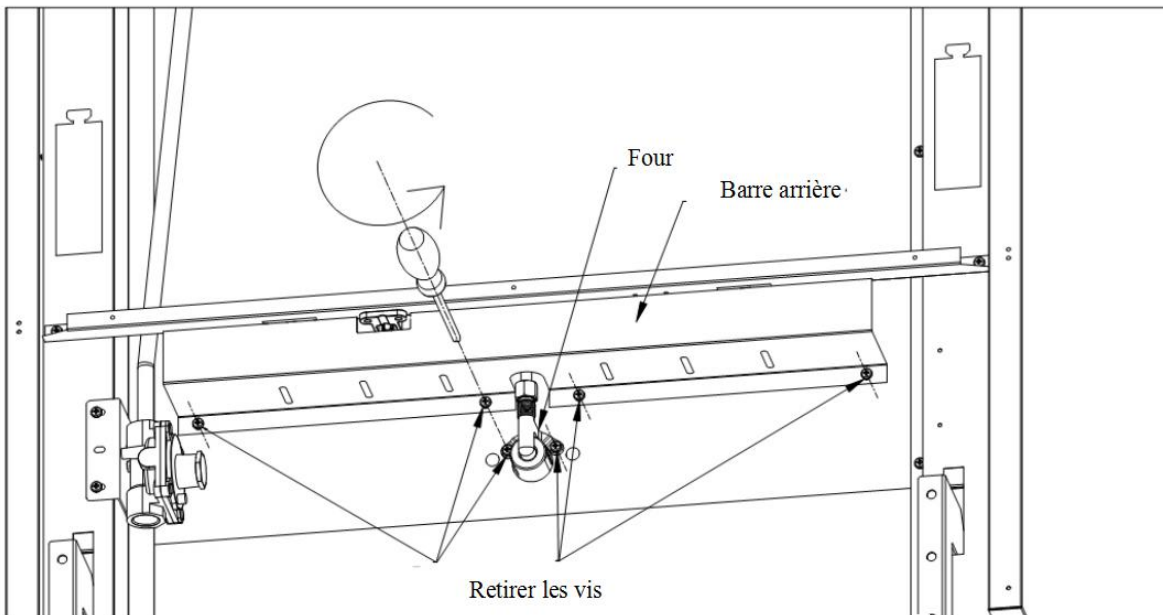


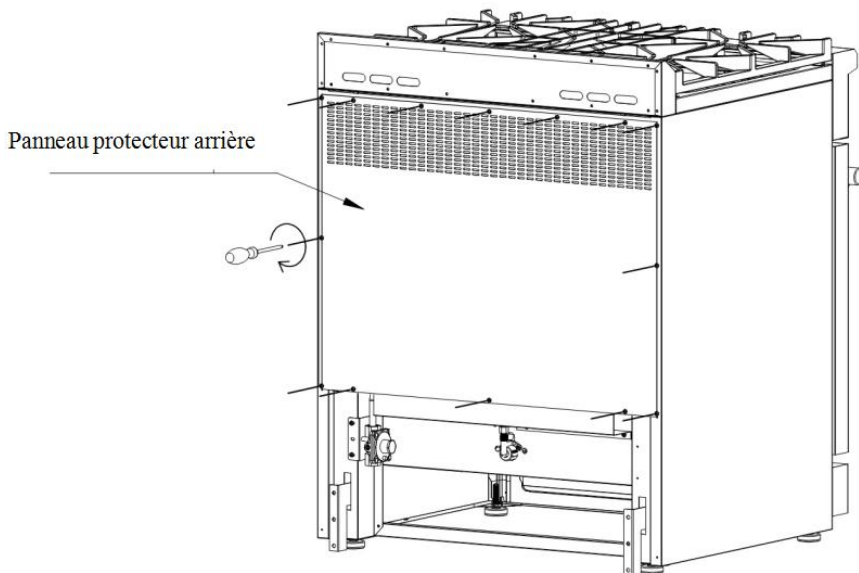
- A. Ouvrez le panneau protecteur arrière en retirant les vis.
- B. Utilisez la clé ouverte pour retirer les vis du raccord de tuyau.
- C. Retirez la buse 0,95 GPL du sachet de pièces et remplacez la buse 1,6 GN par la buse 0,95 GPL.
- D. Desserrez les vis et ajustez le diamètre du trou d'entrée d'air à 0,24 po.
- E. Fixez le raccord de tuyau et l'entrée de gaz à l'aide des vis.

Diamètre de la buse pour brûleurs du grilloir:

GN ---1,6 GPL --- 0,95

Étape 4: Brûleur du four (brûleur inférieur du four)





- A. Ouvrez la barre protectrice arrière en retirant les vis.
- B. Utilisez la clé ouverte pour retirer les vis du raccord de tuyau.
- C. Retirez la buse 1,18 UGPL du sachet de pièces et remplacez la buse 2,0 GN par la buse 1,18 UGPL.
- D. Desserrez les vis et ajustez le diamètre du trou d'entrée d'air à 0,32 po.
- E. Fixez le raccord de tuyau et l'entrée de gaz à l'aide des vis.
- F. Fixez la barre protectrice arrière à l'aide des vis
- G. Installez le panneau protecteur arrière à l'aide des vis.

Diamètre de la buse pour les brûleurs du four :

GN ---2,0 GPL --- 1,18

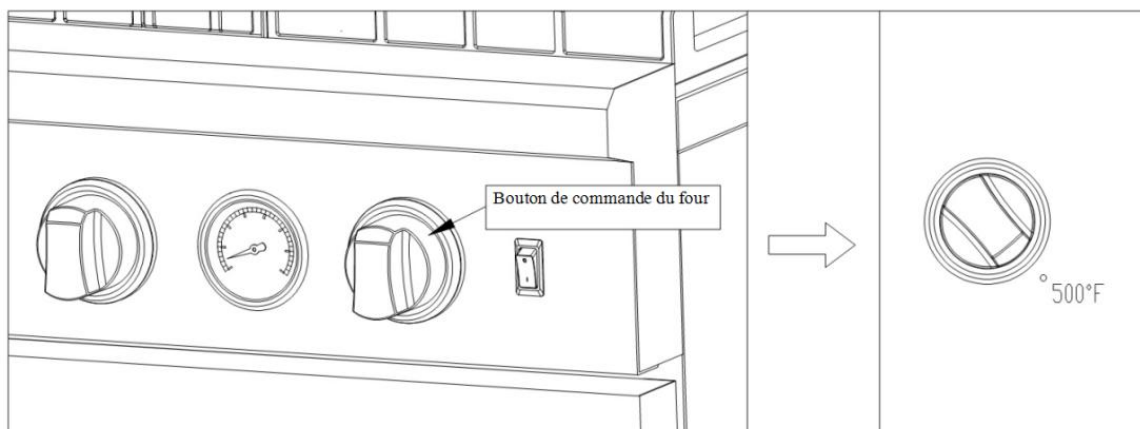
IMPORTANT : Gardez les buses retirées de la cuisinière pour une utilisation ultérieure.

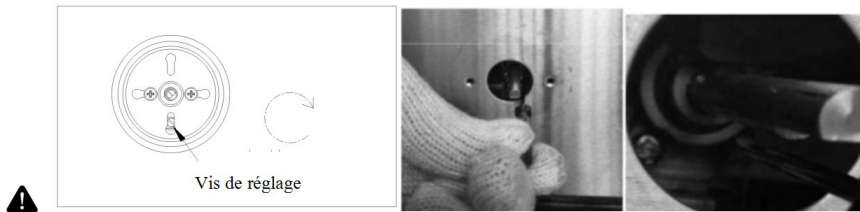
Étape 5 : Valve du four

Pour régler la valve du four pour l'utilisation PL, vous devrez ajuster la vis de régulation.

Suivez les instructions de cette section.

▲ AVERTISSEMENT Si l'orifice est réglé pour être trop petit, la flamme du brûleur du four peut être éteinte pendant une utilisation normale. Besoin de réajuster l'orifice au cas où cela se produirait.





- A. Tournez le bouton de commande du four à la position 500°F, retirez le bouton pour accéder à la vis de réglage de la valve.
- B. Utilisez un petit tournevis à tête plate pour régler la vis de réglage. Tourner la vis dans le sens des aiguilles d'une montre et la serrer au maximum.
- C. Remettez le bouton.

ÉTAPE 6 : Reconnectez l'alimentation en gaz et en électricité

Les tests d'étanchéité de la cuisinière doivent être effectués conformément aux consignes d'installation fournies avec la cuisinière.

Avant d'utiliser la cuisinière après la conversion de gaz, vérifiez toujours les fuites à l'aide d'une solution d'eau savonneuse ou une autre méthode acceptable sur les raccords de gaz installés entre le tuyau d'entrée de gaz de la cuisinière, le régulateur de gaz et la vanne d'arrêt manuelle



⚠ AVERTISSEMENT N'UTILISEZ PAS de flamme pour vérifier les fuites de gaz !

ÉTAPE 7 : Installation d'une étiquette de conversion au GPL

Inscrivez le modèle et le numéro de série sur l'étiquette de conversion PL/Propane fournie dans cette trousse. L'information peut être obtenue à partir de la plaque signalétique existante. Placez l'étiquette de conversion GPL aussi près que possible de la plaque signalétique existante de la cuisinière.

⚠ AVERTISSEMENT Veuillez-vous assurer que le thermocouple est à moins de 2-2,5 mm du brûleur du four. Sinon, le thermocouple risque de ne pas toucher la petite flamme au niveau minimum, ce qui entraînerait une extinction accidentelle de la flamme.

Préparation

Avant de déplacer la cuisinière, protégez le fini du revêtement de sol et fermez-la ou les portes du four pour éviter tout dommage. La/ les porte(s) du four peut être retirée pour alléger la charge ou pour passer l'unité à travers l'embrasure d'une porte. Ne la retirez que si nécessaire. Ne retirez pas la plaque chauffante ni aucun autre composant. Le retrait de la porte ne doit être effectué que par un installateur ou un technicien d'entretien agréé.

Placement

Ne soulevez ou ne transportez pas la porte du four par la poignée de la porte. Utilisez un chariot pour les électroménagers afin de déplacer la cuisinière près de l'ouverture. Retirez et recyclez le matériel d'emballage. Ne jetez pas le support

anti-basculement fourni avec la cuisinière.

Nivellement

Élevez la cuisinière à la hauteur souhaitée en ajustant les pieds. Les pieds peuvent être ajustés en tournant dans le sens horaire pour monter et dans le sens inverse pour descendre.

Fixation anti-basculement

Pour empêcher la cuisinière de basculer vers l'avant, vous devez installer la fixation anti-basculement.

Reportez-vous à la section Dispositif anti-basculement.

Raccord à l'alimentation en gaz

Tous les raccords à la tuyauterie de gaz doivent être serrés à la clé. Ne serrez pas trop et ne laissez pas les tuyaux tourner lors du serrage.

Une fois tous les raccords effectués, vérifiez si toutes les commandes de la cuisinière sont en position « OFF » et mettez en marche la vanne principale d'alimentation en gaz.

Si un connecteur métallique flexible est utilisé, vérifiez s'il n'est pas plié, puis raccordez la conduite d'alimentation en gaz au régulateur de la cuisinière. Ouvrez la vanne et vérifiez s'il y a des fuites en plaçant une solution de détergent liquide sur tous les raccords de gaz. Les bulles autour des raccords sont des signes indiquant une fuite de gaz. Si une fuite apparaît, fermez la vanne d'arrêt et ajustez les raccords.

Les tests de fuite de l'appareil doivent être effectués conformément aux consignes du fabricant. Utilisez de l'eau savonneuse (50 % d'eau et 50 % de savon) ou un détecteur de fuite au niveau de tous les joints et raccords pour vérifier l'étanchéité du système. N'utilisez pas de flamme pour vérifier les fuites de gaz.

L'appareil doit être isolé du système de tuyauterie d'alimentation en gaz du bâtiment en fermant sa vanne d'arrêt manuelle individuelle lors de tout test de pression du système de tuyauterie d'alimentation en gaz à une pression de test égale ou inférieure à 0,5 psi (3,5 kPa).

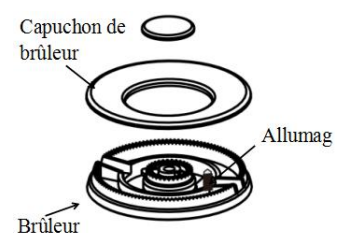
Préparation

Avant de commencer à cuisiner, veuillez suivre les étapes suivantes.

- Retirez l'emballage extérieur et intérieur.
- Retirez la pellicule de protection sur les pièces en acier et en aluminium.
- Nettoyez la cuisinière à fond avec de l'eau chaude et un détergent doux. Rincez et asséchez avec un chiffon doux pour éliminer les résidus d'huile et de graisse provenant du processus de fabrication.
- Vérifiez que les composants du brûleur de surface sont assemblés correctement.
- Aménagez l'intérieur du four en insérant les grilles et le plateau.

Fonctionnement de la table de cuisson

La conception du brûleur rassemble toutes les pièces du brûleur en un seul assemblage. Le capuchon du brûleur doit être assis à plat sur le brûleur. Reportez-vous à l'illustration.



Allumage

To light up the cooktop burners, push the appropriate control knob in and turn counter clockwise to “⚡” position. Vous entendrez un cliquetis - le bruit d'une étincelle électrique qui allume le brûleur. Lorsqu'un brûleur est en position « ⚡ », tous les brûleurs produisent une étincelle. L'étincelle continuera jusqu'à ce que le bouton soit relâché, tournez le bouton pour ajuster l'intensité de la flamme souhaitée. Le bouton en position « ⚡ » est au niveau de feu maximum. En tournant le bouton vers le haut ou vers le bas, on peut obtenir un feu plus petit.

Lorsque le bouton est tourné à la position OFF, la cuisinière s'arrête de fonctionner et la vanne est fermée.

REMARQUE : N'essayez pas de démonter ou de nettoyer autour d'un brûleur lorsqu'un autre brûleur est allumé. Ne touchez pas le capuchon du brûleur, la base du brûleur ou l'allumeur lorsque les allumeurs produisent des étincelles.

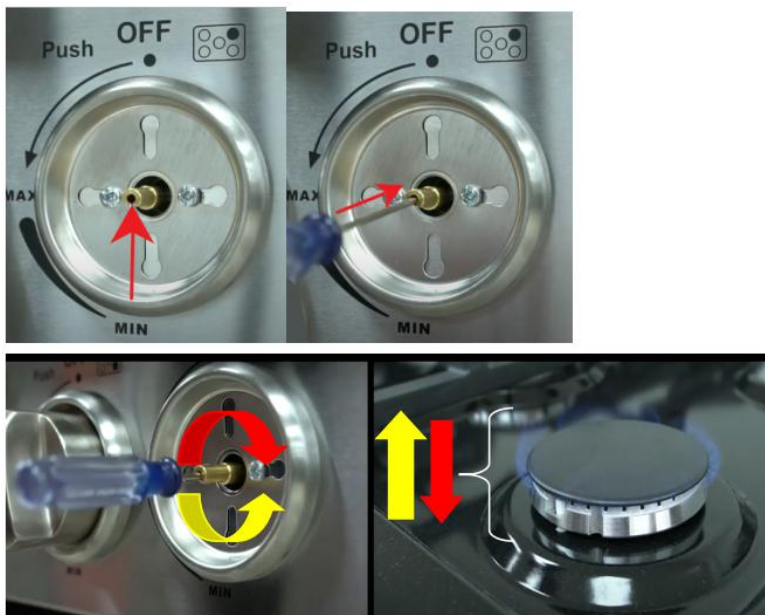
⚠ MISE EN GARDE Ne laissez jamais les casseroles sur un réglage élevé sans surveillance. Vous devez être prudent lorsque vous cuisinez des aliments dans l'huile ou la graisse ; ils peuvent devenir assez chauds pour s'enflammer.

Petites et grandes flammes

Une flamme plus petite offrira de meilleurs résultats pour mijoter. Les petites flammes offrent des performances de cuisson précises pour des aliments délicats, gardent les aliments au chaud, font fondre le chocolat ou le beurre, et permettent une cuisson à feu doux pendant une longue période. Le réglage pour flammes plus élevés (plus grands) fournit la chaleur maximale disponible sur votre cuisinière. Ce réglage doit être utilisé pour les cuissons difficiles comme bouillir de l'eau et cuire des pâtes.

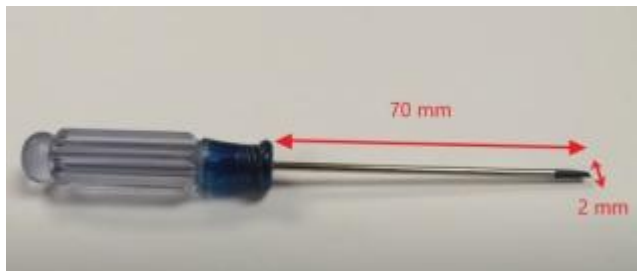
Intensité de la flamme

Pour régler l'intensité de la flamme, suivez l'étape suivante :



A. Tirez sur le bouton pour accéder à la vis de réglage, située au milieu de la tige de la vanne.


B. Insérez un petit tournevis à tête plate (2 mm de large et 70 mm de long) à l'intérieur de la tige de valve jusqu'à ce que vous atteigniez l'extrémité la plus éloignée.



C. En tournant le tournevis dans le sens des aiguilles d'une montre, l'intensité de la flamme diminuera et en le tournant dans le sens inverse des aiguilles d'une montre, la flamme augmentera.


D. Lorsque vous le tournez dans le sens des aiguilles d'une montre, assurez-vous de ne pas serrer complètement la vis de réglage, car si c'est le cas, le gaz se coupera complètement et lorsque vous le tournerez dans le sens inverse des aiguilles d'une montre, assurez-vous de ne pas le desserrer au maximum.

Panne de courant

- Si le gaz ne s'enflamme pas dans les quatre secondes, fermez la vanne et attendez au moins cinq minutes pour que tout le gaz se dissipe. Répétez la procédure d'allumage.
- En cas de panne de courant, les brûleurs de surface peuvent être allumés manuellement. Tenez une allumette allumée près d'un brûleur et tournez le bouton dans le sens antihoraire pour atteindre la position «». Une fois que le brûleur est allumé, tournez le bouton sur le réglage souhaité.

Grilles de brûleur

1. Avant la cuisson, les grilles doivent être correctement positionnées. Une installation incorrecte des grilles peut égratigner la table de cuisson et/ou provoquer une mauvaise combustion.
2. Ne faites pas fonctionner les brûleurs sans casserole ni ustensile sur les grilles.


 MISE EN GARDE La surface de la grille chauffante est chaude après utilisation. Veuillez allouer suffisamment de temps pour qu'elle se refroidisse avant de la nettoyer.

Conseils de nettoyage de la table de cuisson

- Pour éviter que la table de cuisson ne se décolore ou ne se tache, nettoyez-la après chaque utilisation et essuyez les éclaboussures acides ou sucrées dès le refroidissement de la table de cuisson.
- Les brûleurs scellés de votre cuisinière ne sont pas fixés à la table de cuisson et sont conçus pour être enlevés. Les excès d'ébullition ou les débordements ne s'infiltreront pas sous la table de cuisson. Les brûleurs doivent être nettoyés après chaque utilisation.

Lumière du four

La lumière du four est contrôlée par un bouton-poussoir se trouvant sur le panneau de commande. Cette lumière peut être utilisée pendant la cuisson ou le nettoyage du four.

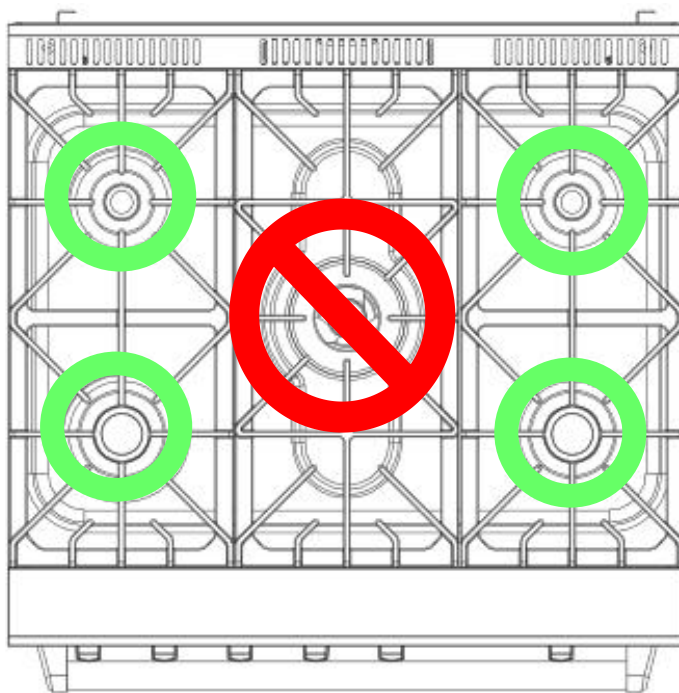
 AVERTISSEMENT Vérifiez si l'alimentation est débranchée du boîtier électrique avant de remplacer l'ampoule. Laissez le four se refroidir complètement, puis dévissez le couvercle de la lampe et retirez l'ampoule en la dévissant par la base. Remplacez-la par une ampoule halogène de 25 watts.

Utilisation de la plaque chauffante

⚠ AVERTISSEMENT Assurez-vous de suivre toutes les directives pour une utilisation appropriée de la plaque chauffante. Si vous n'utilisez pas correctement la plaque chauffante, vous risquez de l'endommager et cela annulera la garantie.

Position de la plaque chauffante

La plaque chauffante ne peut pas être utilisée sur les grilles du milieu. Pour une utilisation correcte, la plaque chauffante doit être sur les grilles gauche ou droite ;



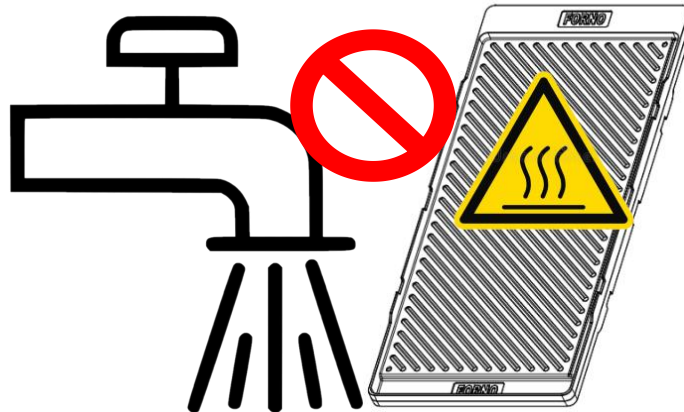
Réglage de l'intensité de la chaleur

La plaque chauffante n'est pas conçue pour une utilisation à haute température. Des températures plus élevées endommageront le revêtement antiadhésif au fil du temps.



Nettoyage

Pour éviter les blessures et endommager la plaque chauffante, attendez toujours que la plaque chauffante ait refroidi avant de la laver ou de la faire tremper dans l'eau.



Fonctionnement du four

Ce four est très puissant. Il peut atteindre 350 °F en 7 à 10 minutes environ, car la flamme est allumée pendant toute la période d'utilisation du four. Ce four n'est pas équipé d'un système de rallumage automatique qui s'allumera et s'éteindra tout au long de votre cuisson. Lisez les informations suivantes pour en savoir plus sur le système d'allumage de type analogique du four.

Lorsque vous utilisez le four, appuyez et tournez sur le bouton du four dans le sens inverse des aiguilles d'une montre jusqu'à la température désirée (ex : 325 °F) et maintenez-le enfoncé jusqu'à ce que le brûleur du four s'allume. Pendant qu'il s'allume, attendez 5 à 10 secondes avant de relâcher le bouton. Notez que la flamme sera grande pendant tout le processus de préchauffage. Une fois préchauffée, la flamme diminuera automatiquement de taille, indiquant que le four est prêt pour la cuisson. Ouvrez la porte, placez les aliments à l'intérieur du four et attendez que la flamme soit visiblement plus grande avant de fermer la porte (cela peut prendre de 8 à 10 secondes).

Les étapes ci-dessus sont décrites en raison du mécanisme de sécurité à coupure thermique dans lequel le dispositif de sécurité doit toujours rester en contact avec la flamme pour qu'elle reste allumée. Lorsque la flamme est grande, le contact est fort.

Le four est conçu pour maintenir la température de cuisson initiale sélectionnée. Si une température de cuisson inférieure à celle du réglage de préchauffage d'origine est souhaitée, le four doit être rallumé manuellement en répétant les étapes ci-dessus.

⚠️ AVERTISSEMENT : Si le brûleur du four ne s'allume pas après 3 allumages consécutifs, le four risque de se remplir de gaz. Il faut alors ouvrir la porte du four pour permettre au gaz de se dissiper avant de procéder à un nouvel allumage. Dans le cas contraire, le four pourrait exploser et l'utilisateur serait blessé.

IMPORTANT : Le dispositif de sécurité est monté sur le brûleur du four. Lorsque la flamme s'éteint accidentellement, l'alimentation en gaz est coupée automatiquement. Vous devez tourner le bouton de réglage à la position OFF et le rallumer.

Système d'allumage

Lorsque la flamme est allumée, relâchez le bouton, l'étincelle s'arrête.

Conseils pour la cuisson au four

1. Ne couvrez jamais les fentes, orifices ou ouvertures se trouvant au fond du four et ne couvrez pas la grille entière par des matériaux tels que du papier aluminium. Cette action bloque la circulation de l'air dans le four et peut causer une intoxication au monoxyde de carbone. Le revêtement en aluminium peut également piéger la chaleur et cela présente un risque d'incendie.
N'utilisez pas de papier d'aluminium sur une surface en porcelaine. Cela endommagerait la porcelaine et affecterait sa durabilité.
2. Positionnez les grilles avant de préchauffer le four.

Préchauffage

Laissez le four préchauffer avant de mettre les aliments au four. Le préchauffage est nécessaire pour obtenir de bons résultats lors de la cuisson de gâteaux, biscuits, pâtisseries et pains.

Le ventilateur du four s'allume automatiquement lorsque le brûleur inférieur fonctionne. Pour un préchauffage rapide, tourner le bouton du four à la position « Broil ». Attendre que le four devienne chaud, environ 3 minutes.

Note : La condensation ou la buée à l'intérieur de la vitre de la porte du four est normale pendant le préchauffage et s'évapore à la fin du préchauffage.

Fonction du four

La cuisson avec circulation d'air naturelle se produit lorsque la chaleur est transférée dans le four à partir des brûleurs situés au fond de la cavité du four. La chaleur circule ensuite par un flux d'air naturel, c'est un mode de cuisson traditionnel.

Cuisson par convection

Le ventilateur du four s'allume lorsque le brûleur inférieur est en marche. La chaleur est transférée à tout l'intérieur de la cavité du four. Il assure une répartition plus uniforme de la chaleur à l'intérieur du four que la cuisson régulière.

Rôtir par convection

Le ventilateur de convection fait circuler la chaleur uniformément sur et autour des aliments. La chaleur circule au-dessus des aliments qui rôtissent.

Fonctionnement du grilloir (Broil)

Note : La porte doit être fermée pendant l'opération du grilloir.

Le brûleur du grilloir est situé dans le haut du four. Comme le grillage se fait avec la porte du four fermée, il est normal que cela ajoute une saveur fumée à l'aliment.

Réglage du grilloir (Broil)

Tournez le bouton de réglage du four dans le sens horaire pour sélectionner la fonction « Broil ». Lors du grillage, la chaleur rayonne vers le bas à partir du grilloir du four. La température de la fonction « Broil » est 260 C (500 C)

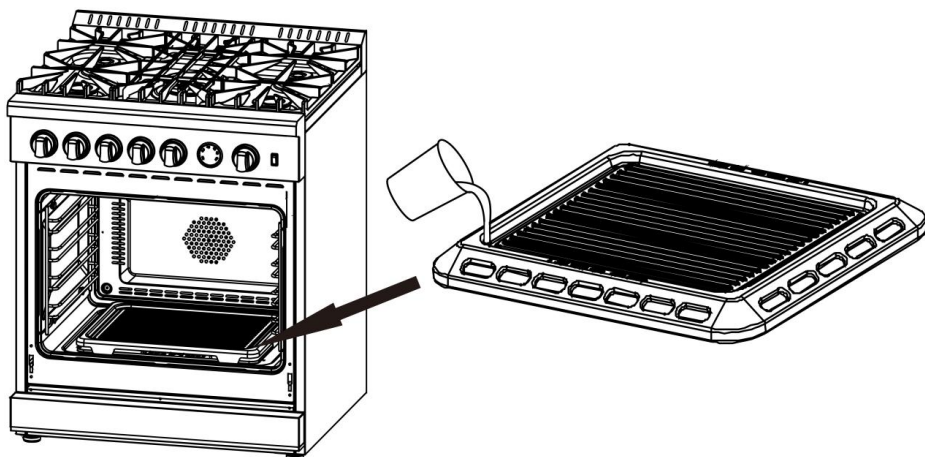
Conseils de nettoyage du four

1. Après chaque utilisation et une fois le four refroidi, nettoyez immédiatement les éclaboussures et les déversements.
2. Ne laissez pas les aliments riches en sucre ou en acide sur la surface de la cavité du four.
3. Utilisez un nettoyeur destiné au four pour nettoyer sa cavité.

4. Veuillez utiliser un sabre doux pour nettoyer pour nettoyer la table de cuisson en émail et la chambre du four en émail.

Nettoyage à la vapeur

Afin de faciliter le nettoyage, vous pouvez ajouter au maximum 200 ml d'eau dans la rainure de la plaque ignifuge au bas de la cavité du four, NE PAS dépasser la rainure. Allumez le four pour chauffer et générer de la vapeur partout dans le four pour ramollir la saleté attachée à la cavité pour un nettoyage facile.



Thermostat du four et indicateur de température

Les chiffres imprimés sur le panneau de commande indiquent l'augmentation de la température du four (°F). Pour régler la température, définissez le chiffre souhaité sur l'indicateur du bouton de commande.

La durée de cuisson peut varier en fonction du type d'aliment, de sa densité et de sa quantité. Au cours de la première cuisson, il est recommandé de surveiller et de vérifier les résultats car les résultats similaires sont obtenus lors de la préparation de mêmes plats dans les mêmes conditions.

⚠ AVERTISSEMENT Si la température de la jauge ne correspond pas correctement à votre réglage lorsque la cuisinière fonctionne pendant une période, veuillez contacter vos techniciens professionnels locaux pour vérifier. L'utilisateur n'est PAS autorisé à briser le poêle et à régler directement le thermostat du four.




Recommandations d'entretien et de nettoyage

Acier inoxydable	Utilisez un nettoyant pour acier inoxydable non abrasif et appliquez une petite quantité sur un chiffon doux. Essuyez légèrement l'acier inoxydable avec le chiffon suivi d'un chiffon sec. Suivez toujours le grain de l'acier inoxydable.
Grilles du brûleur Guides des grilles du four	Nettoyez avec de l'eau chaude et un détergent doux ou un mélange de bicarbonate de soude et d'eau. Ne pas immerger dans l'eau. Asséchez avec une serviette.
Plateau de brûleur	Enlevez les débris de surface avant le nettoyage pour accélérer le processus et réduire les risques d'égratigner la surface pendant le nettoyage. En utilisant des nettoyants abrasifs doux ou des dégraissants en aérosol, nettoyez et rincez la surface et séchez immédiatement. Pour nettoyer les taches d'eau calcaire, utilisez du vinaigre blanc et de l'eau. Rincez et asséchez immédiatement.
Brûleurs de la table de	Laissez-les se refroidir. Utilisez un détergent doux ou un dégraissant en aérosol pour les nettoyer.

cuisson	Rincez à l'eau et asséchez à l'aide d'une serviette.
Boutons de commande	À l'aide d'un chiffon humide, essuyez en utilisant un détergent doux ou un dégraissant en aérosol ; rincez et asséchez. Ne pas les placer au lave-vaisselle.
Intérieur du four	Utilisez des nettoyeurs abrasifs doux et des dégraissants en aérosol. Utilisez une lame de rasoir pour soulever délicatement les aliments cuits de la cavité du four et de la fenêtre. Pour les taches tenaces, vaporisez-les d'un nettoyeur abrasif doux ou d'un dégraissant en aérosol. Lavez toute la cavité du four en utilisant du savon et de l'eau.
Lèchefrite	Pour nettoyer la lèchefrite, enlevez la graisse et lavez à l'eau chaude avec un détergent doux. Rincez et asséchez.

Conseils de dépannage

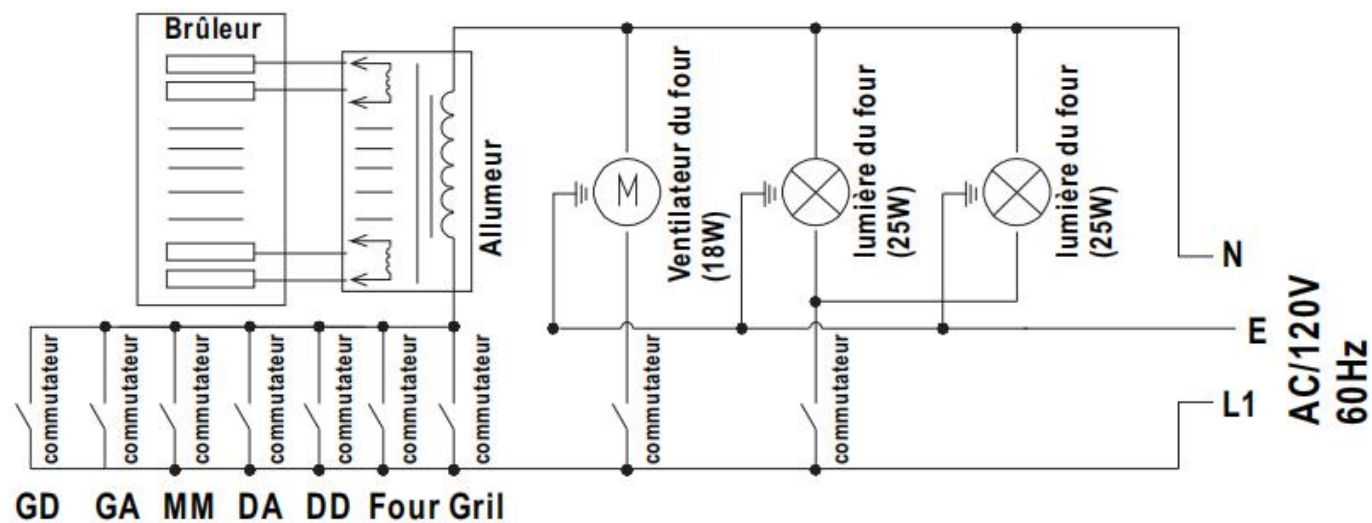
Avant d'appeler le service d'assistance

La cuisinière ne fonctionne pas	Vérifiez si la cuisinière est mise sous tension. Vérifiez que l'alimentation électrique de la cuisinière et du disjoncteur domestique est activée.
Les brûleurs ne s'allument pas ou ne produisent pas d'étincelles de manière aléatoire	La prise électrique n'est pas correctement branchée sur une prise de courant sous tension. L'alimentation en gaz n'est pas activée. Les pièces du brûleur ne sont pas remplacées correctement. Les orifices dans les anneaux de cuisson ou les fentes des brûleurs sont obstrués. Buses obstruées, brûleurs ou électrodes humides. Un fusible dans votre maison peut avoir sauté ou un disjoncteur peut s'être déclenché.
Les brûleurs ont des flammes jaunes ou sautillantes	Les pièces du brûleur ne sont pas correctement remplacées. A. Flammes jaunes : Appelez le service. B. Extrémités jaunes sur les cônes extérieurs: normal pour le gaz propane (PL). C. Flammes bleues douces: normal pour le gaz naturel. Si les flammes du brûleur ressemblent à  (A), contactez le service d'assistance. Les flammes normales des brûleurs doivent ressembler à  (B) ou à  (C), selon le type de gaz
Les flammes des brûleurs sont très grandes ou jaunes	La cuisinière peut être connectée au mauvais type de carburant. Contactez la personne qui l'a installée ou qui a effectué sa conversion.
Les flammes des brûleurs contiennent des scintillements orangés	Poussière en suspension dans l'air ; humidificateur à vapeur froide; débris sur ou à l'intérieur du brûleur
Les lampes du four ne fonctionnent pas	L'ampoule est défectueuse. Remplacez l'ampoule.
Les grilles du four glissent	Ne vaporisez pas d'aérosol de cuisson ou d'autres lubrifiants en aérosol pour les rendre plus glissantes. Reportez-vous à la section Nettoyage des grilles du four dans les

difficilement	Recommandations d'entretien et de nettoyage.
La nourriture n'est pas correctement cuite ou rôtie	<p>Les commandes du four sont mal réglées. Reportez-vous à la section Cuire et rôtir. Le four n'est pas préchauffé suffisamment longtemps. Utilisation d'ustensiles de cuisson inadéquats ou de mauvaise taille.</p> <p>Les grilles de cuisson ne sont pas dans la bonne position. Reportez-vous à la section Cuire et rôtir.</p> <p>Utilisez une tente en papier d'aluminium pour ralentir le brunissage pendant la cuisson.</p> <p>Le thermostat du four doit être ajusté : Veuillez contacter un technicien qualifié de votre région.</p>
La nourriture ne grille pas correctement	<p>Ce modèle est destiné au grillage à porte fermée uniquement. Grillez toujours la porte fermée.</p> <p>Le bouton de commande du four n'est pas réglé sur la position « BROIL ».</p> <p>Mauvaise position de la grille de cuisson.</p> <p>Les ustensiles de cuisine ne conviennent pas au grillage.</p> <p>Le papier d'aluminium utilisé sur la plaque à griller et la grille n'a pas été ajusté et coupé correctement comme recommandé.</p>
La température du four est trop haute ou trop basse	Le thermostat du four doit être ajusté. Voir la section Veuillez contacter un technicien qualifié de votre région.
Vapeur provenant de l'événement	Lorsque vous utilisez le mode convection, il est normal que de la vapeur s'échappe de l'événement du four. Plus le nombre de grilles ou la quantité d'aliments cuits augmente, plus la quantité de vapeur visible augmente.
Odeur de brûlé ou d'huile émise par l'événement	Ceci est normal dans un nouveau four et disparaîtra avec le temps.
Odeur forte	Ceci est temporaire. Au cours des premières utilisations du four, une odeur causée par l'isolation autour de l'intérieur du four est normale.
Ventilateur de convection pas toujours activé	Veuillez contacter un technicien qualifié de votre région.
Condensation ou buée à l'intérieur de la vitre de la porte	Pendant le préchauffage du four, la condensation ou la formation de buée à l'intérieur de la vitre de la porte du four est normale et elle s'évaporera généralement à la fin du cycle de préchauffage.
Son de craquement ou d'éclatement pendant le nettoyage	Il s'agit d'un bruit normal de dilatation et de contraction du métal causé par le chauffage et le refroidissement.
Une fumée excessive se produit pendant le nettoyage	Le four est très sale. Tournez le sélecteur de mode du four et les boutons de température sur OFF. Ouvrez les fenêtres pour débarrasser la pièce de la fumée. Attendez que le four soit complètement refroidi et essuyez l'excès de saleté et nettoyez à nouveau.
La fermeture de la porte a provoqué une extinction accidentelle de la flamme du four	Lorsque la température du four atteint la température de réglage, la flamme à l'intérieur du four sera petite. La fermeture de la porte à la flamme minimale provoquera une extinction accidentelle de la flamme. Veuillez-vous assurer que la petite flamme sera plus grande avant de fermer la porte (pas plus de 60 s)

Diagramme de câblage

FFSGS6276-30



Mise en garde : Étiquetez tous les fils avant de les débrancher lors de l'entretien des commandes. Les erreurs de câblage peuvent entraîner un fonctionnement incorrect et dangereux. Vérifiez le bon fonctionnement après l'entretien



FORNO

Alta Qualita

COCINA A GAS INDEPENDIENTE DE 30 PULGADAS

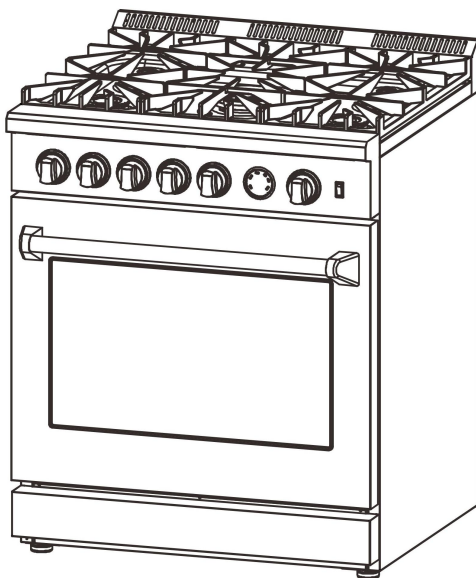


EN CONFORMIDAD CON ANSI STD Z21.1-2018 CERTIFICADA POR CSA STD 1.1-2018 ELECTRODOMÉSTICOS PARA COCINAR A GAS

GUÍA DE INSTALACIÓN

ESPECIFICACIONES, INSTALACIÓN Y MÁS

NÚMEROS DE MODELO: FFGS6276-30



Indice

INFORMACIÓN PARA EL CLIENTE.....	67
DISPOSITIVO ANTIVUELCO.....	67
Instalación del soporte antivuelco.....	68
INFORMACIÓN IMPORTANTE DE SEGURIDAD.....	69
Características de su cocina.....	73
Instrucciones de instalación.....	74
Instalación de las rejillas de quemador de la placa de cocción.....	76
Instalación de la manija de la puerta.....	76
Indicaciones eléctricas.....	77
Requisitos para el suministro de energía eléctrica.....	78
Suministro de gas.....	78
Regulador de presión.....	78
Válvula de cierre de gas (no incluida).....	79
Dimensiones del producto y gabinetes.....	79
Instalación de la campana extractora.....	82
Operación de conversión de gas.....	82
Funcionamiento de la placa de cocción.....	90
FUNCIONAMIENTO DEL HORNO.....	93
Consejos de limpieza del horno.....	95
Limpieza a vapor.....	95
Termostato del horno y medidor de temperatura.....	95
Consejos para solucionar problemas.....	96
Diagramas de cableado.....	98

INFORMACIÓN PARA EL CLIENTE

Seguridad de la cocina

Su seguridad y la de los demás son muy importantes.

Esta guía y el propio artefacto proporcionan muchos mensajes de seguridad importantes. Lea y aplique todos los mensajes de seguridad.



Este es un símbolo de alerta de seguridad que le advierte sobre posibles riesgos de seguridad para las personas o para la propiedad. Respete todos los mensajes de seguridad para evitar daños a la propiedad, lesiones corporales, incluso la muerte.

ADVERTENCIA

ADVERTENCIA indica una situación potencialmente peligrosa que, si no se evita, podría provocar la muerte o lesiones graves.

PRECACCIÓN

PRECAUCIÓN indica una situación de peligro moderado que, si no se evita, podría provocar lesiones leves o moderadas.
Todos los mensajes de seguridad le alertarán sobre el peligro potencial y cómo reducir el riesgo de lesiones y le dirán qué puede suceder si no sigue las instrucciones.

ADVERTENCIA

Si no sigue minuciosamente la información y consejos en esta guía, puede ocurrir un incendio o explosión y causar daños a la propiedad, lesiones graves o la muerte.

No almacene ni use gasolina u otros vapores y líquidos inflamables cerca de este o cualquier otro electrodoméstico.

-- ¿QUÉ DEBE HACER SI HUELE A GAS?

- No active ningún artefacto.
- No toque ningún interruptor eléctrico.
- No use ningún teléfono en su edificio.
- Llame inmediatamente a su proveedor de gas usando el teléfono de algún vecino externo. Siga las instrucciones del proveedor de gas.
- Si no puede contactar a su proveedor de gas, llame al departamento de bomberos.

La instalación y el servicio deben llevarse a cabo por un instalador, un centro de servicio o proveedor de gas calificado.

DISPOSITIVO ANTIVUELCO

ADVERTENCIA

Riesgo de vuelco

Un niño o un adulto puede inclinar la cocina y esto puede causar lesiones graves o la muerte. Instale el dispositivo antivuelco en la cocina y / o la estructura de acuerdo con las instrucciones de instalación.

Acople la cocina al dispositivo antivuelco instalado en la estructura.

Si se mueve la cocina, vuelva a reacomodar el dispositivo antivuelco.

Si no se siguen estas precauciones, la muerte o lesiones graves y / o quemaduras pueden ocurrir en niños y adultos.

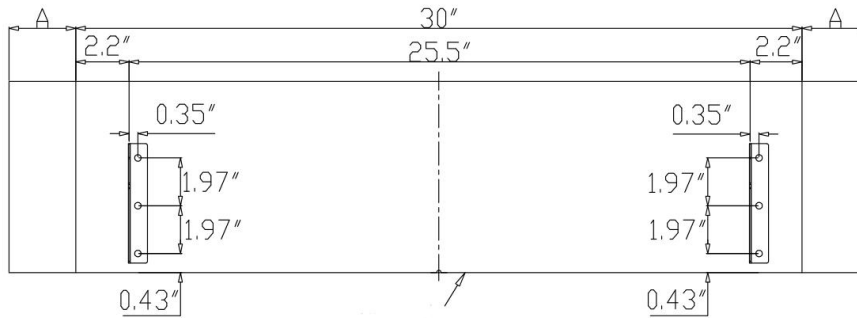


La cocina debe asegurarse con un dispositivo antivuelco correctamente instalado para reducir el riesgo de vuelco. Consulte las instrucciones de instalación que vienen con el documento adjunto para más detalles antes de comenzar la instalación. Todas las cocinas pueden volcarse y causar lesiones.

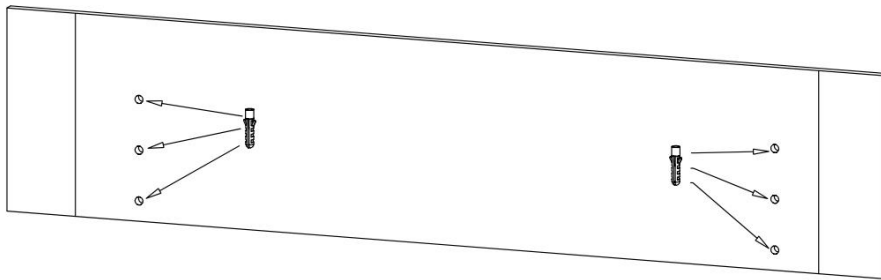
Instalación del soporte antivuelco

6. Taladre 6 agujeros en la pared con los tamaños correctos, de acuerdo con la tabla a continuación:

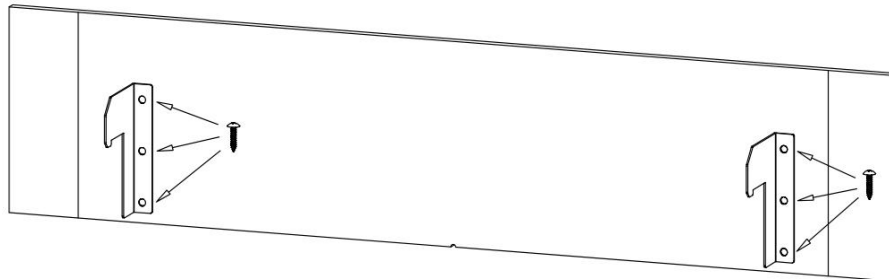
Tipo de Pared	Diámetro del agujero
Pared de madera	0.1"
Pared de cemento	0.31"



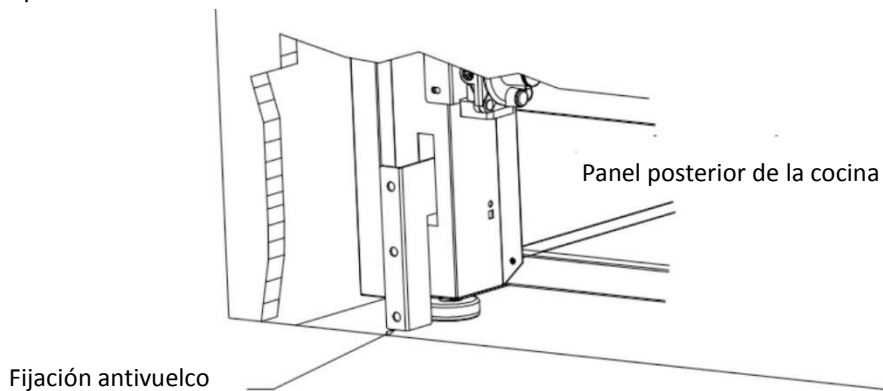
7. Busque las fundas de plástico en la bolsa de piezas y colóquelas dentro de los agujeros de la pared.



8. Busque las placas antivuelco en la bolsa de piezas y fíjelas en la pared con los tornillos. Asegúrese de que el soporte antivuelco esté bien sujeto a la pared



4. Deslice la cocina hacia adelante hasta el soporte antivuelco, asegúrese de que el soporte antivuelco se inserte en los dos orificios en el panel posterior de la cocina.



INFORMACIÓN IMPORTANTE DE SEGURIDAD

LEA TODA LA INFORMACIÓN ANTES DE USAR EL DISPOSITIVO

ADVERTENCIA

Lea todas las instrucciones de seguridad antes de usar el producto. No cumplir estas instrucciones puede provocar incendios, descargas eléctricas, lesiones graves o la muerte.

INSTRUCCIONES GENERALES DE SEGURIDAD

ADVERTENCIA

NEVER use this appliance as a space heater to heat or warm the room. Doing so may result in carbon monoxide poisoning and overheating of the oven.

1. Utilice esta cocina para los fines indicados y descritos en esta guía del usuario.
2. Un instalador calificado debe instalar su cocina con una conexión a tierra adecuada según las instrucciones de instalación provistas.
3. Cualquier ajuste o mantenimiento puede ser realizado solamente por un instalador o técnico calificado para cocinas a gas. No intente reparar ni reemplazar ninguna parte de su cocina a menos que se recomiende específicamente en esta guía.
4. Su cocina viene de fabricación configurada para uso con gas natural o gas propano (LP). Puede convertirse para su uso con cualquiera de los dos. Estos ajustes debe realizarlos un técnico calificado según las instrucciones de instalación y los códigos locales, de ser necesario. La agencia que realice este trabajo asume la responsabilidad de la conversión.
5. Solicite al instalador que indique dónde se ubica la válvula de cierre de gas de la cocina y cómo cerrarla, de ser necesario.
6. Conecte su cocina a un tomacorriente con conexión a tierra de 110/120 voltios solamente. No retire la clavija de tierra redonda del enchufe. Si tiene dudas sobre la conexión a tierra del sistema eléctrico de su hogar, es su responsabilidad y obligación quitar un tomacorriente sin conexión a tierra de acuerdo con el Código Nacional de Electricidad. No debe usar un cable de extensión con esta cocina.
7. Antes de realizar cualquier mantenimiento, desconecte la cocina o la fuente de alimentación del panel de distribución en el hogar, retirando el fusible o cortando el disyuntor.
8. Asegúrese de retirar todo el material de embalaje de la cocina antes de usarla para evitar cualquier combustión del material.
9. Evite rayar o golpear los paneles de vidrio ya que esto puede romper el vidrio. No cocine en un artefacto con un vidrio roto. Se pueden producir descargas eléctricas, incendios o cortes.
10. No deje a los niños solos o desatendidos en un área donde se usa esta unidad. Nunca se les debe permitir subir, sentarse o pararse en ninguna parte de la cocina.

PRECACIÓN

11. No almacene nada que pueda interesarle a los niños en los gabinetes u gabinetes ubicados sobre el horno. Los niños pueden subir al horno para alcanzarlos y podrían lesionarse gravemente.
12. Nunca bloquee las rejillas de ventilación de la cocina. Suministre entradas y salidas de aire necesarias para el buen funcionamiento de la cocina con una combustión adecuada. Las aperturas de ventilación se encuentran en la parte posterior de la cocina, en la parte superior e inferior de la puerta del horno y en la parte inferior de la cocina.
13. Utilice solo agarraderas secas. Las agarraderas mojadas en superficies calientes pueden causar quemaduras de vapor. No permita que las agarraderas toquen los quemadores de superficie, la rejilla del quemador o los calentadores de horno. No use servilletas ni otras telas gruesas en lugar de agarraderas..
14. No toque los elementos calefactores ni las paredes interiores del horno. Incluso si las superficies son de color oscuro, pueden estar lo suficientemente calientes como para causar quemaduras. Durante y después del uso, no toque ni deje que la ropa u otros materiales inflamables entren en contacto con el interior del horno. Deje suficiente tiempo para que se enfríe. Otras superficies de la cocina pueden calentarse excesivamente y causar quemaduras. Las superficies potencialmente calientes incluyen los quemadores, las parrillas, la abertura de ventilación del horno, las superficies cercanas a la abertura, las hendiduras alrededor de la puerta del horno, los elementos decorativos metálicos sobre la

puerta, cualquier rejilla posterior o la superficie del estante superior.

15. No caliente recipientes de comida cerrados. La presión podría aumentar y el recipiente podría explotar y provocar lesiones.

⚠️ ADVERTENCIA

Extremadamente pesado

Se necesita un equipo y mano de obra adecuados para movilizar la cocina a fin de evitar lesiones corporales o daños a la unidad o al piso.

Ignorar estos consejos puede provocar daños o lesiones.

⚠️ ADVERTENCIA

¡NO transporte ni levante la cocina por la manija de la puerta del horno o el panel de control!



CORRECTO



INCORRECTO



INCORRECTO

⚠️ ADVERTENCIA

Cocine bien los alimentos para protegerse de las enfermedades que puedan transmitirse en ellos.

Las recomendaciones mínimas de temperatura de cocción de alimentos seguros están disponibles en

www.IsItDoneYet.gov y www.fsis.usda.gov. Use un termómetro para alimentos para medir la temperatura de los alimentos en varios lugares.

No permita que nadie se suba, se pare o se cuelgue de la puerta, el cajón o la cocina del horno. Esto podría dañar la cocina, podría volcarse y causar lesiones graves o la muerte. Mantenga la campana del ventilador y el filtro de grasa limpios para mantener una buena ventilación y evitar incendios ocasionados por la grasa. APAGUE el ventilador en caso de incendio o uso intencional de alcohol u otra gasolina para el flambeado de alimentos. Si el ventilador está encendido, podría propagar las llamas.

⚠️ ADVERTENCIA

MANTENGA LOS MATERIALES INFLAMABLES LEJOS DE LA COCINA

De lo contrario, puede provocar un incendio o lesiones.

No almacene ni use materiales inflamables en el horno o cerca de la placa de cocción. Estos incluyen papel, plástico, agarraderas, telas, revestimientos de paredes, manteles, cortinas y combustible u otros líquidos y vapores inflamables.

Al usar este artefacto, nunca use ropa suelta o colgante. Si estas prendas entran en contacto con superficies calientes, pueden encenderse y causar quemaduras graves.

No permita la acumulación de aceite de cocina u otras sustancias inflamables dentro o cerca de la cocina.

La grasa en el horno o en la placa de cocción puede encenderse.

⚠️ ADVERTENCIA EN CASO DE INCENDIO, TOME LAS SIGUIENTES MEDIDAS

PARA EVITAR LESIONES Y LA PROPAGACIÓN DEL FUEGO.

No utilice agua en incendios ocasionados por la grasa. Nunca agarre una cacerola en llamas. Detenga el funcionamiento de la cocina. Apague una cacerola u olla ardiente sobre un elemento de la superficie cubriéndola completamente con una

tapa, bandeja para hornear o bandeja plana que se ajuste bien. Use un extintor multipropósito con polvo químico o espuma.

En caso de incendio en el horno durante la cocción, apague el fuego cerrando la puerta del horno y apagándolo o utilizando un extintor de incendios de espuma o químico multipropósito. Si ocurre un incendio en el horno durante la autolimpieza, apague el horno y espere a que el fuego se disipe.

No fuerce la apertura de la puerta. El introducir aire fresco a temperaturas de autolimpieza puede provocar una explosión de llama en el horno. Ignorar estas instrucciones puede causar quemaduras graves.

⚠️ ADVERTENCIA INSTRUCCIONES DE SEGURIDAD PARA LA PLACA DE COCCIÓN

Nunca deje los quemadores desatendidos a un nivel de calor medio o alto. Los alimentos, especialmente los alimentos grasos, pueden encenderse y provocar un incendio que podría extenderse a los gabinetes cercanos.

Nunca deje el aceite desatendido mientras fríe. Si se calienta por encima de su punto normal, el aceite puede encenderse y provocar un incendio que puede extenderse a los gabinetes cercanos. Use un termómetro para freír, siempre que sea posible, para controlar la temperatura del aceite.

Para evitar derrames de aceite o incendios, use un mínimo de aceite al freír en una cacerola poco profunda y evite cocinar alimentos congelados que contengan cantidades excesivas de hielo.

Use una cacerola del tamaño adecuado y evite cacerolas inestables o fácilmente inclinables. Seleccione un utensilio de cocina que coincida con el tamaño del quemador. Las llamas de los quemadores deben ajustarse para que no excedan el fondo de la cacerola. Las llamas excesivas pueden ser peligrosas.

Cuando use utensilios de cocina de vidrio/cerámica, asegúrese de que sean adecuados para la cocina; algunos pueden romperse debido a un cambio repentino de temperatura.

Para minimizar el riesgo de quemaduras, combustión de materiales inflamables y derrames, las manijas de las cacerolas deben girarse hacia el centro de la cocina sin extenderse sobre los quemadores adyacentes.

No use un wok con un soporte de metal redondo. El anillo puede atrapar el calor y bloquear el aire en el quemador. Esto representa un riesgo de monóxido de carbono.

No intente levantar la placa de cocción. Puede dañar las tuberías de gas de los quemadores de la superficie, lo que provocaría fugas de gas y un peligro de incendio.

No use papel de aluminio para cubrir las rejillas ni cubrir una parte de la cocina. Esto podría provocar intoxicación por monóxido de carbono, sobrecalentamiento de las superficies de la cocina o peligro de incendio.

⚠️ ADVERTENCIA INSTRUCCIONES DE SEGURIDAD DEL HORNO

NUNCA cubra las ranuras, agujeros o pasajes en el fondo del horno ni cubra una parrilla completa con materiales como papel de aluminio o revestimientos para hornos. Esto bloquea el flujo de aire hacia el horno y puede causar una intoxicación por monóxido de carbono. Nunca coloque papel de aluminio o revestimiento en el fondo del horno. Pueden atrapar el calor y provocar un riesgo de humo o fuego.

Manténgase alejado de la cocina cuando abra la puerta del horno. Las fugas de aire caliente o vapor pueden causar quemaduras en las manos, la cara y/o los ojos.

Nunca coloque utensilios de cocina, pizzas o piedras para hornear, ni ningún tipo de papel de aluminio o rejillas en el piso del horno. Estos elementos pueden atrapar el calor o derretirse, lo que puede dañar el producto y provocar una descarga, humo o fuego.

Coloque las parrillas del horno en el lugar deseado mientras el horno esté frío. Si debe mover la parrilla mientras el horno está caliente, tenga cuidado de no tocar las superficies calientes.

No deje objetos como papel, utensilios de cocina o alimentos en el horno cuando no esté en uso. Los artículos

almacenados en un horno pueden encenderse.

No deje objetos en la cocina cerca de la ventilación del horno. Los artículos pueden sobrecalentarse y provocar un riesgo de incendio o quemaduras.

Nunca use la función de asado con la puerta del horno abierta. No se recomienda asar con la puerta abierta debido al sobrecalentamiento de las perillas de control.

ADVERTENCIA

Este producto puede exponerlo a sustancias químicas incluyendo Carbon oxides, la(s) cual(es) el Estado de California sabe que causa(n) cáncer, defectos congénitos y/o trastornos reproductivos. Para minimizar la exposición a estas sustancias, use siempre este artefacto en conformidad con la guía del usuario, asegurando una ventilación adecuada. Para obtener más información, visite www.P65Warnings.ca.gov

ADVERTENCIA

La instalación debe cumplir con los códigos locales o, en ausencia de códigos locales, con el Código Nacional de Gas Combustible, ANSI STD Z21.1-2018 / NFPA 54 o, en Canadá, con el Código de Instalación de Gas Natural y Propano, CSA B149.1".

Y etiqueta a continuación:

ADVERTENCIA

Nunca deje funcionando la placa superior de cocción del aparato sin supervisión.

El incumplimiento de este anuncio de advertencia puede provocar incendios, explosiones o quemaduras, lo que podría causar daños a la propiedad, lesiones personales o la muerte.

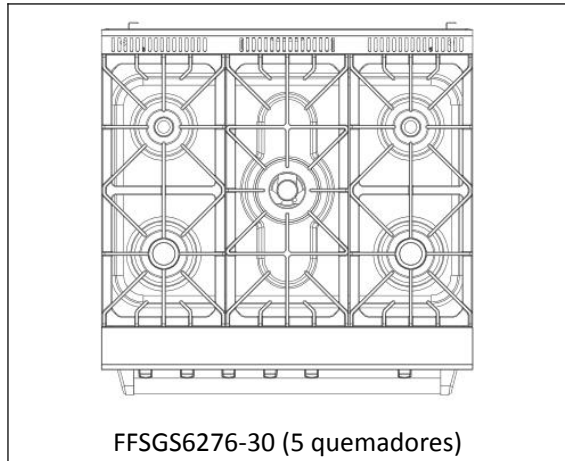
Si se produjera un incendio, manténgase alejado del artefacto y llame de inmediato al departamento de bomberos.

NO INTENTE EXTINGUIR UN FUEGO DE ACEITE / GRASA CON AGUA

ADVERTENCIA

Para extraer rápidamente el olor a "quemado" o "aceitoso" que emite un horno nuevo, gire la perilla del horno a "Asar" y hágalo funcionar durante 30 minutos antes del primer uso.

Características de su cocina


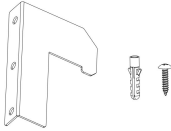
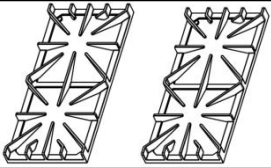
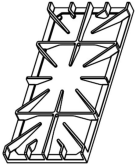

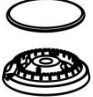
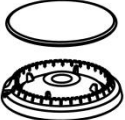
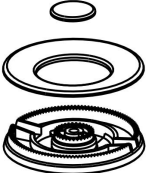
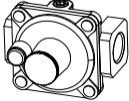



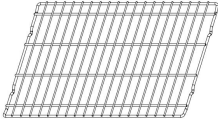

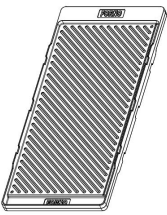

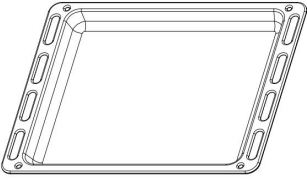
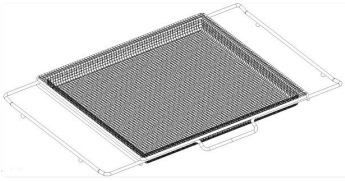
1	Rejillas de quemador de la placa de cocción
2	Panel de control
3	Perilla de control de la placa de cocción
4	Manija de la puerta
5	Puerta del horno
6	Sistema de nivelación (patas)
7	Respiraderos del horno
8	Interruptor de luces del horno
9	Perilla de control del horno
10	Medidor de temperatura
11	Panel frontal inferior

Instrucciones de instalación











Antes de utilizar su cocina

5. Retire todo el material de embalaje.
6. Verifique que tiene todo lo que se enumera a continuación:

	<p>Inyector de GLP: 1 pieza 0.5. 2 piezas 0.85; 2 piezas 1.18; 2 piezas 0.9; 1 pieza 1.18; 1 pieza 0.95.</p>	<p>1 paquete</p>
	<p>Soporte antivuelco y tornillos</p>	<p>1 juego</p>
	<p>Rejillas izquierda y derecha</p>	<p>1 juego</p>
	<p>Rejillas del medio</p>	<p>1 pieza</p>
	<p>Manija de la puerta del horno y tornillos</p>	<p>1 juego</p>
	<p>Quemador & tapa (9500BTU)</p>	<p>2 juegos</p>
	<p>Quemador & tapa (16000BTU)</p>	<p>2 juegos</p>
	<p>Capuchon et brûleur (190 00BTU)</p>	<p>1 juegos</p>
	<p>Regulador (preinstalado)</p>	<p>1 pieza</p>

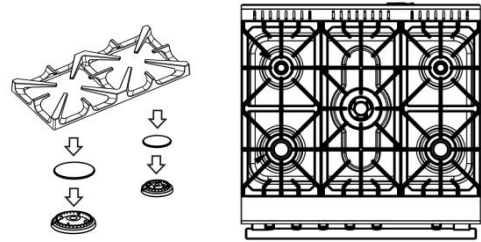
	Etiqueta con el número de serie & Manual de Instrucciones	1 juego
	Rejilla del horno	2 piezas
	Cubierta inferior	1 pieza
	Placa de calentamiento superior	1 pieza
	Soporte de Wok	1 pieza
	Bandeja de goteo para horno	1 pieza
	Rejilla y soporte para freidora de aire	1 juego

NECESITA HERRAMIENTAS PARA LA INSTALACIÓN. (no incluidas con la cocina)

				
Destornillador	Llave	Llave de tubo	Llave Allen	Cinta métrica y lápiz
				
Guantes de protección	Martillo	Llave inglesa	Pinza ajustable	Taladro

Instalación de las rejillas de quemador de la placa de cocción

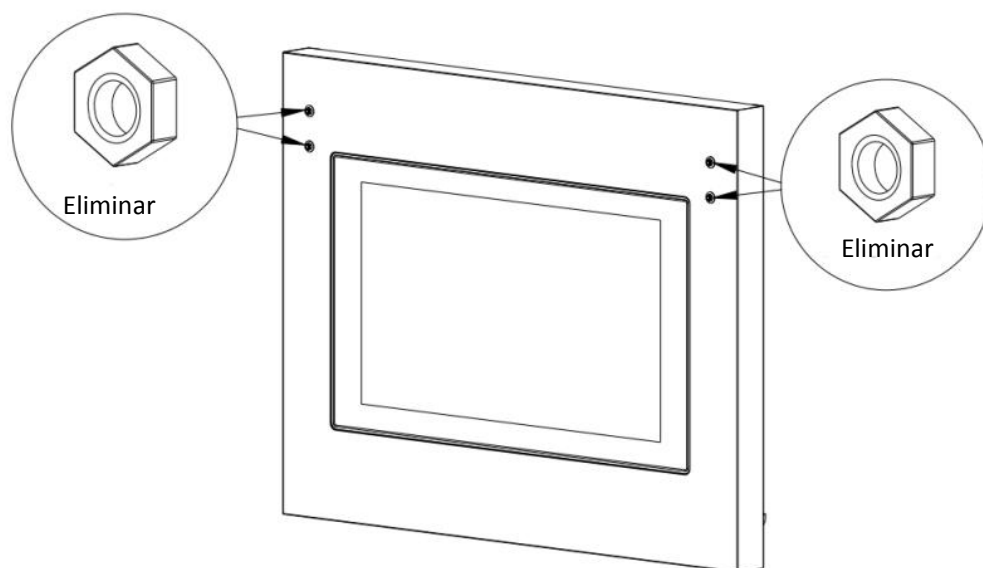
Retire los materiales de embalaje de las rejillas del quemador de la placa de cocción. Coloque las rejillas en la posición correcta.



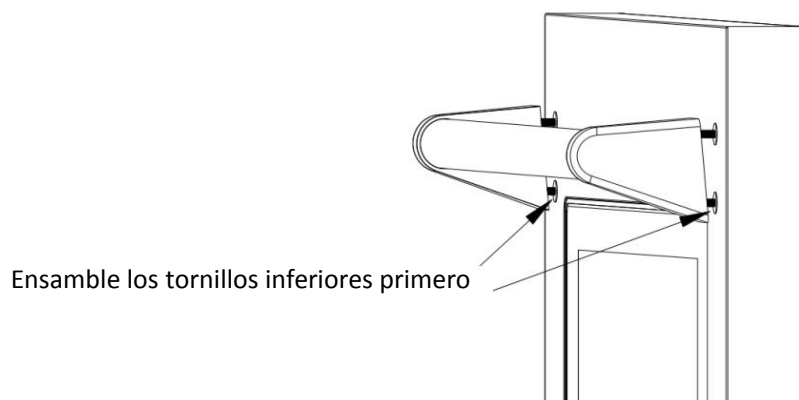
Instalación de la manija de la puerta

Paso 1: Saque la manija de la puerta del paquete.

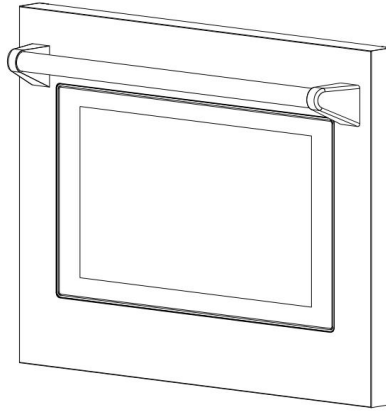
Paso 2: Saque cuatro tuercas de izquierda a derecha en la puerta como se ilustra en la imagen.



Paso 3: Coloque la manija en la puerta en la dirección correcta como se ilustra en la imagen. Asegúrese de que los 4 pernos se puedan atornillar en los orificios debajo de las bases de la manija en los dos extremos. Apriete los tornillos inferiores en los dos extremos primero desde el interior de la puerta del horno con un destornillador. Luego apriete los dos tornillos superiores.



Paso 4: Verifique el mango para asegurarse de que esté instalado correctamente y firmemente como se muestra en la ilustración.



ADVERTENCIA:

La instalación debe completarse paso a paso. NO retire la arandela de los tornillos en el exterior de la puerta del horno.

Indicaciones eléctricas

Su cocina debe estar conectada a tierra de acuerdo con los códigos locales o, a falta de códigos locales, de acuerdo con el Código Eléctrico Nacional (ANSI/NFPA 70, última edición). En Canadá, la conexión a tierra debe cumplir con el Código Ambiental Canadiense CSA C22.1, Sección 1 y/o códigos locales.

La fuente de alimentación debe tener la polaridad correcta. La polaridad inversa dará como resultado chispas continuas de los electrodos, incluso después de la llama de encendido.

Si hay alguna duda sobre si la fuente de alimentación tiene la polaridad correcta o está conectada a tierra, haga que un electricista calificado lo verifique.

REQUERIMIENTOS ELECTRICOS

Alimentación eléctrica	Puesta a tierra, 110/120V AC, 60 Hz
Servicio	15 A o circuito dedicado de 20 A
Toma	Tipos de conexión a tierra de 3 puntas

⚠ ADVERTENCIA

Instrucciones de conexión a tierra eléctrica: esta cocina está equipada con un enchufe de tres clavijas (con conexión a tierra) para protegerlo contra el riesgo de descarga eléctrica y debe conectarse directamente a un receptáculo de tres clavijas con conexión a tierra.

No corte ni quite la clavija de conexión a tierra del enchufe.

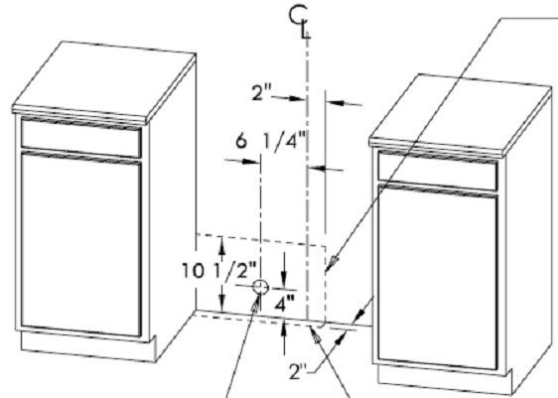
⚠ PRECACUCIÓN

La clavija de conexión a tierra del enchufe no se debe cortar ni quitar. Etiquete todos los cables antes de desconectarlos cuando realice el mantenimiento de los controles. Los errores de cableado pueden causar una operación incorrecta y peligrosa. Verifique la operación después del mantenimiento.

PELIGRO DE DESCARGA ELÉCTRICA

Desconecte la energía eléctrica en la caja de disyuntores o la caja de fusibles antes de instalar el artefacto. Proporcione una conexión a tierra adecuada para el electrodoméstico. Use solo conductores de cobre. El incumplimiento de estas instrucciones puede provocar lesiones graves o la muerte.

Requisitos para el suministro de energía eléctrica



El área permite la instalación al ras con la conexión a través de la pared de la válvula de cierre / cierre de tubería y la salida de 110/120V de la pared posterior.

Conexión más corta desde la ubicación de la tubería dura hasta el enganche con la cocina.

El área permite la instalación al ras con la conexión a través del piso de la válvula de cierre / extremo de la tubería.

Suministro de gas

La instalación debe cumplir con los códigos locales o, en ausencia de códigos locales, con el Código Nacional de Gas Combustible, norma ANSI STD Z21.1-2018/NFPA 54. En Canadá, la instalación debe cumplir con el estándar actual de código de instalación/gas natural, CAN 1-1.1-M81 y códigos locales cuando corresponda.

Esta cocina ha sido certificada y cumple con la última edición de ANSI STD Z21.1-2018.

TIPO DE GAS:

GAS NATURAL	WC
Presión de alimentación	4"
Presión mínima de suministro	6"
Presión máxima del regulador	14", 0.5 psi (3.5 kPa)
GAS LP	WC
Presión de alimentación	10"
Presión mínima de suministro	11"
Presión máxima del regulador	14", 0.5 psi (3.5 kPa)

⚠ ADVERTENCIA

No obstruya el flujo de aire de combustión dentro de la cocina y el aire de ventilación fuera de la cocina.

Ventilación: Se recomienda utilizar el artefacto con una campana de extracción y de ventilación del cabezal del horno de tamaño y capacidad suficientes.

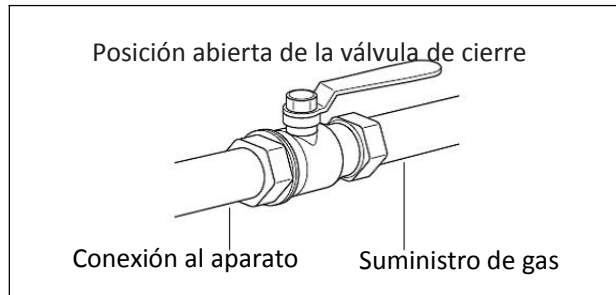
Regulador de presión

Como la presión de operación puede variar según la demanda local, cada cocina de gas debe contar con un regulador de presión en la línea de suministro entrante para un funcionamiento seguro y eficiente. El regulador de presión que viene con la cocina cuenta con dos conectores hembra NPT de 1/2". El regulador debe estar instalado correctamente para que sea accesible cuando se instale el aparato en su posición final.



El regulador de presión puede soportar una presión de entrada máxima de 3.5 kPa (0.5 psi) y se ajusta a una presión de salida de 4"

Válvula de cierre de gas (no incluida)



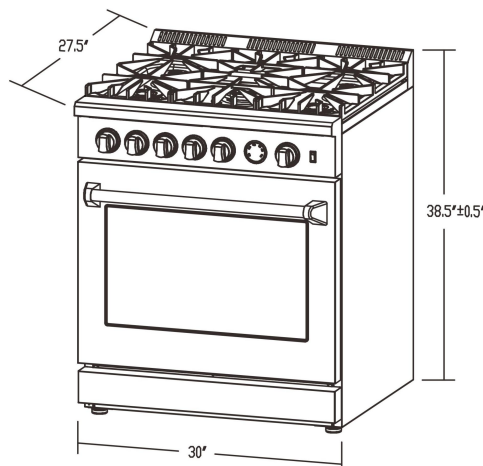
La línea de suministro debe contar con una válvula de cierre de gas externa aprobada que se ubique cerca de la cocina en un lugar accesible. No bloquee el acceso a la válvula de cierre. Puede consultar la imagen.

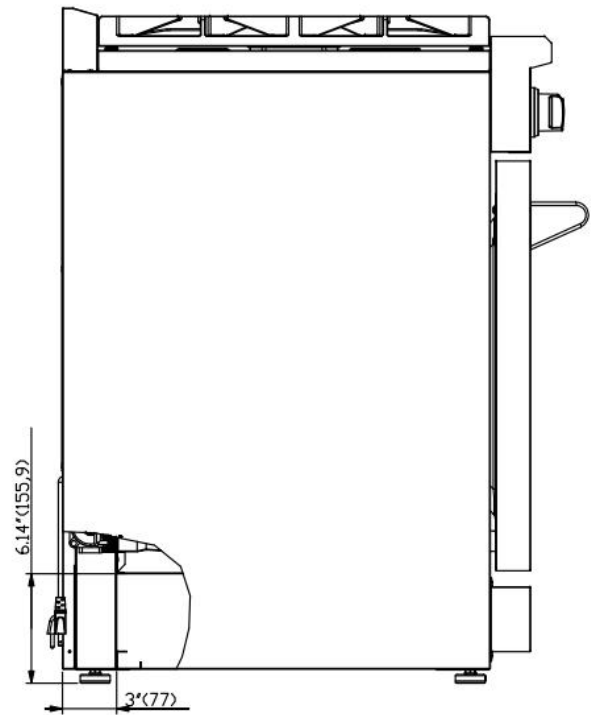
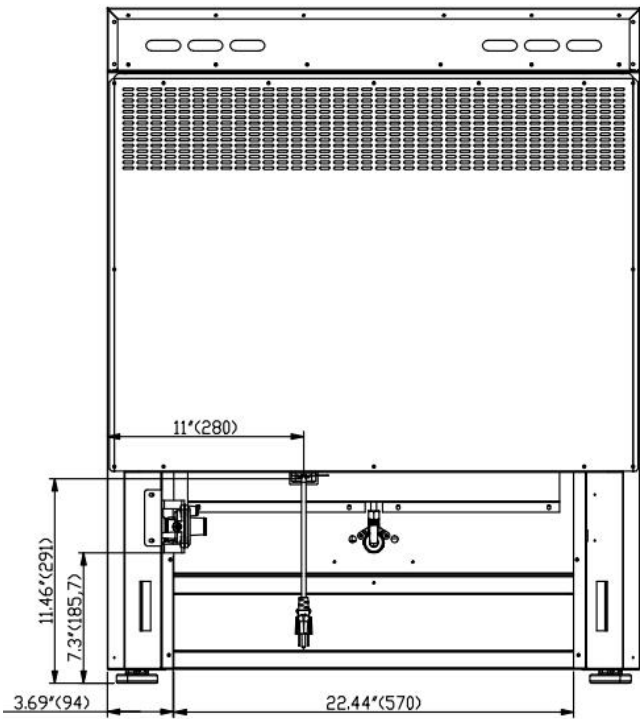
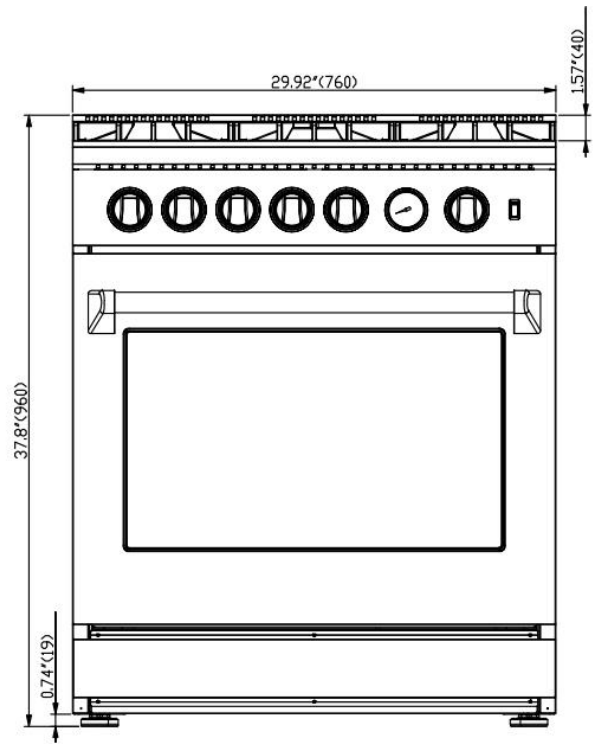
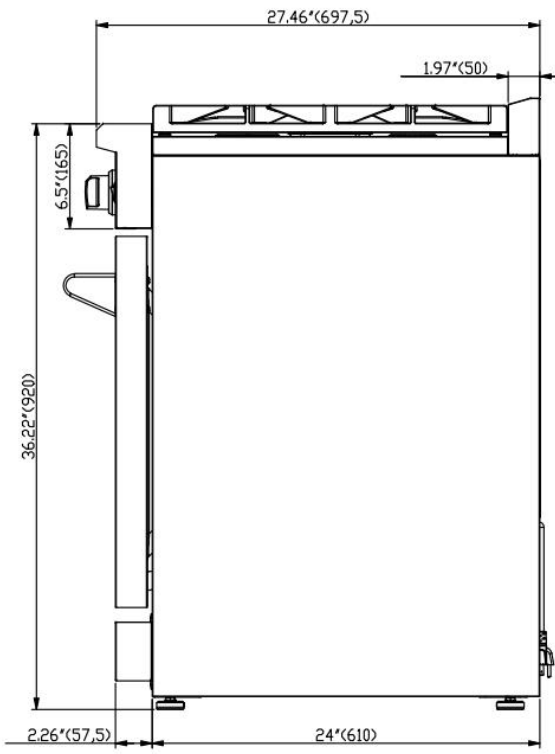
Toda cocina debe contar con una línea de suministro de gas de diámetro interno de 3/4". (19mm). Si los códigos locales lo permiten, se recomienda utilizar un conector de metal flexible certificado de 3 pies (900 mm) de largo, 1/2". (13mm) o 3/4". (19mm) para conectar la entrada hembra NPT de 1/2". desde la unidad a la línea de suministro de gas. Se deben utilizar compuestos para juntas de tuberías adecuados para su uso con gas natural o gas LP.

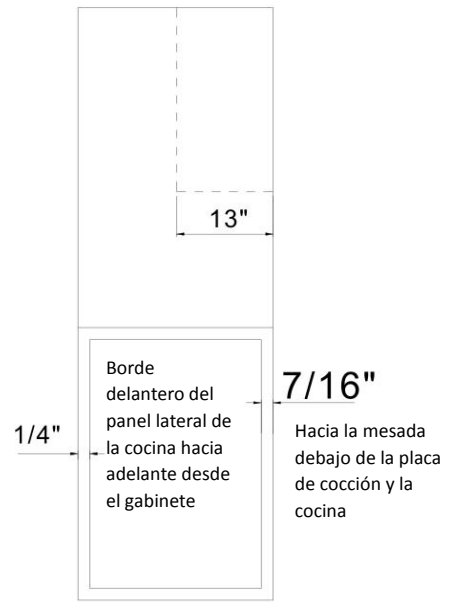
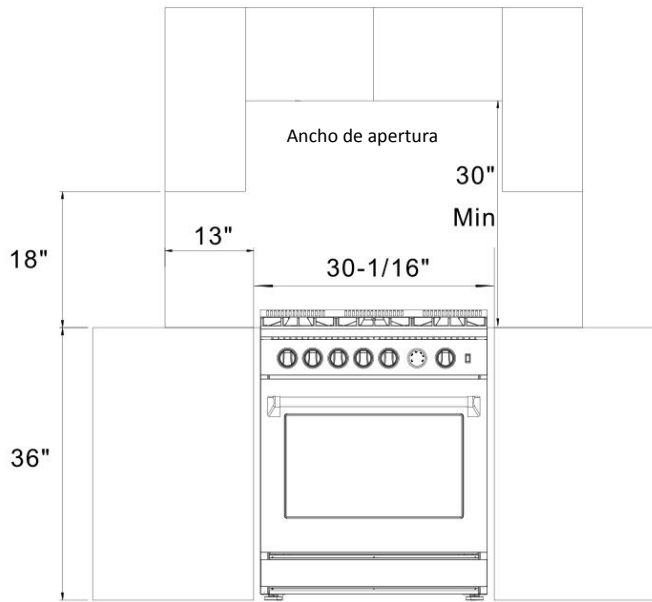
El artefacto y su válvula de cierre deben desconectarse del sistema de tuberías de suministro de gas durante alguna prueba de presión del sistema a presiones de prueba superiores a 0,5 psi (3,5 kPa). El aparato debe aislarse del sistema de tuberías de suministro de gas cerrando su válvula de cierre manual individual durante cualquier prueba de presión del sistema a presiones de prueba iguales o menores a 0.5 psi (3.5 kPa).

Dimensiones del producto y gabinetes

Esta cocina puede instalarse directamente al lado de los gabinetes existentes a una altura de mostrador (36 po o 91 cm del piso). Para lograr la mejor apariencia posible, la cocina debe estar al ras de la mesada del gabinete. Esto puede lograrse levantando la unidad usando las barras de ajuste sobre los pies.







ANCHO DE APERTURA
30" Model

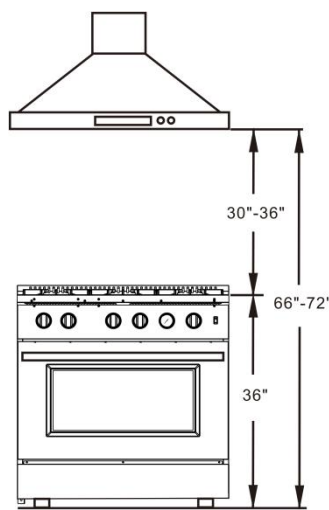
Ancho
30" (762mm)

Instalación de la campana extractora

La parte inferior de la campana debe estar entre 30" y 36" por encima de la placa de cocción. Esto generalmente significa que la parte inferior de la campana está entre 66" y 72" sobre el piso. Estas dimensiones permiten el funcionamiento seguro y eficiente de la campana.

Después de la instalación:

1. Verifique el encendido de los quemadores en la cocina.
2. Compruebe la configuración del obturador de aire: llama azul brillante, sin parpadeo amarillo ni llama danzante.
3. Compruebe el encendido del quemador del horno.
4. Verifique visualmente el reencendido del quemador tubular (quemador del horno) para asegurarse de que ambas filas de puertos del quemador se vuelvan a encender cada vez.
5. Compruebe si hay fugas de gas en todas las conexiones de gas (utilizando un detector de gas, nunca con una llama).
6. Verifique el horneado y la cocción por convección.



Operación de conversión de gas

Esta cocina se puede usar con gas propano líquido y gas natural. De fabricación, está configurada para su uso con gas natural (GN). Se incluyen boquillas de conversión. Para la conversión de gas, siga las siguientes instrucciones.

⚠ ADVERTENCIA La conversión de gas debe ser realizada por un profesional capacitado en fábrica. Llame al servicio al cliente cercano para identificar a uno de los profesionales capacitados.

⚠ ADVERTENCIA Antes de realizar esta operación, desconecte la cocina de gas y la electricidad. De lo contrario, puede provocar un incendio o riesgo de descarga eléctrica y provocar lesiones o la muerte. No retire el regulador ni permita que el mismo gire durante el funcionamiento.

El procedimiento de conversión a gas para esta cocina incluye 7 pasos:

- | | |
|----------------------------|--|
| 1. Regulador de presión | 5. Reconexión del suministro de gas y electricidad |
| 2. Quemadores de la cocina | 6. Instalación de una nueva etiqueta de evaluación |
| 3. Quemador del horno | 7. Válvulas de gas |
| 4. Quemador de parrilla | |

La conversión se completa solamente siguiendo los 7 pasos correctamente.

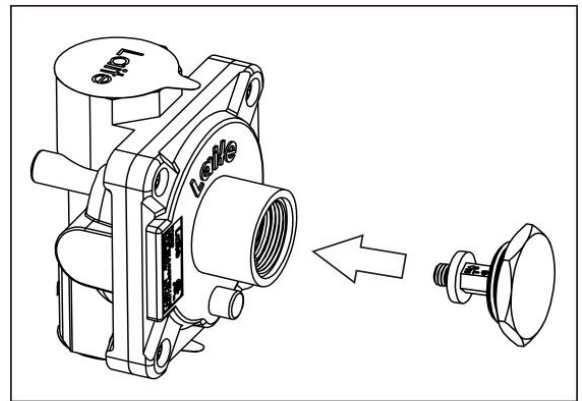
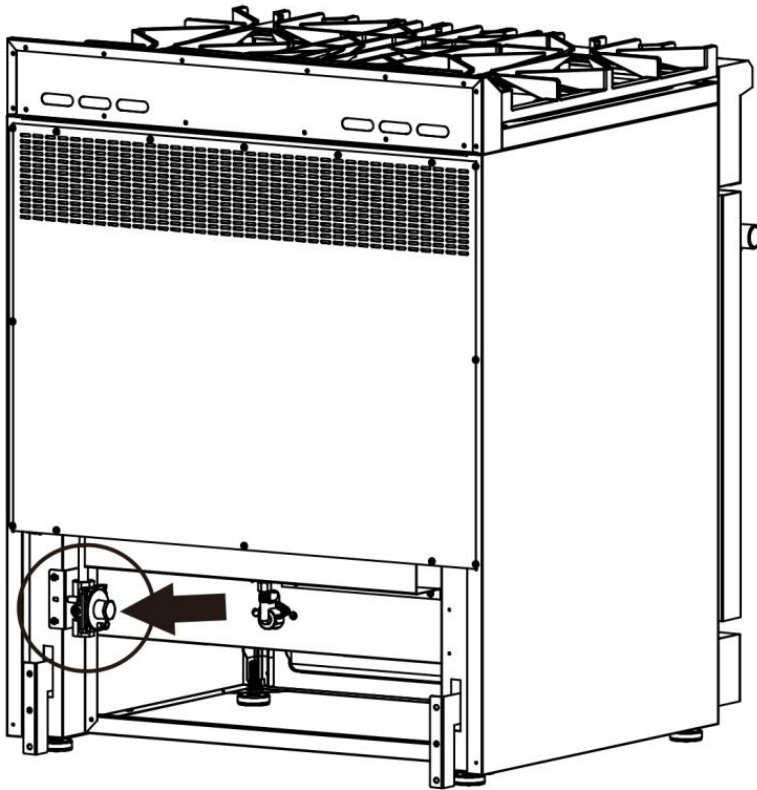
Antes de realizar la conversión de gas, identifique el embalaje que contiene las boquillas de repuesto suministradas con cada cocina.

⚠️ ADVERTENCIA Antes de realizar esta operación, desconecte la cocina de gas y la electricidad. De lo contrario, puede provocar un incendio o riesgo de descarga eléctrica y provocar lesiones o la muerte. No retire el regulador ni permita que el mismo gire durante el funcionamiento.

ETAPA 1: Regulador de presión

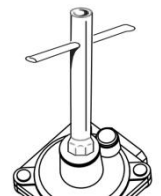
Para acceder al regulador de gas, aleje la cocina de la pared del gabinete. El regulador de gas está ubicado en la esquina inferior derecha de la cocina.

- Desenrosque la tapa del regulador. No retire el resorte del regulador.
- Desenrosque el inserto de la tapa y dele la vuelta para que el perno más largo quede en dirección a la tapa. Vuelva a colocar el inserto en la tapa. Vuelva a colocar la tapa en el regulador.



ETAPA 2: Quemadores en la placa de cocción

- Retire las parrillas de cocción, las tapas de los quemadores y los anillos internos del quemador.
- Levante las cabezas externas del quemador y las bases del quemador.
- Retire las boquillas de gas natural instaladas de fábrica del centro de los porta boquillas con una llave de tubo de 7 mm. Recoloque el inyector de LP en cada porta boquilla. Apriete cada inyector adecuadamente. **No apriete demasiado el inyector.**

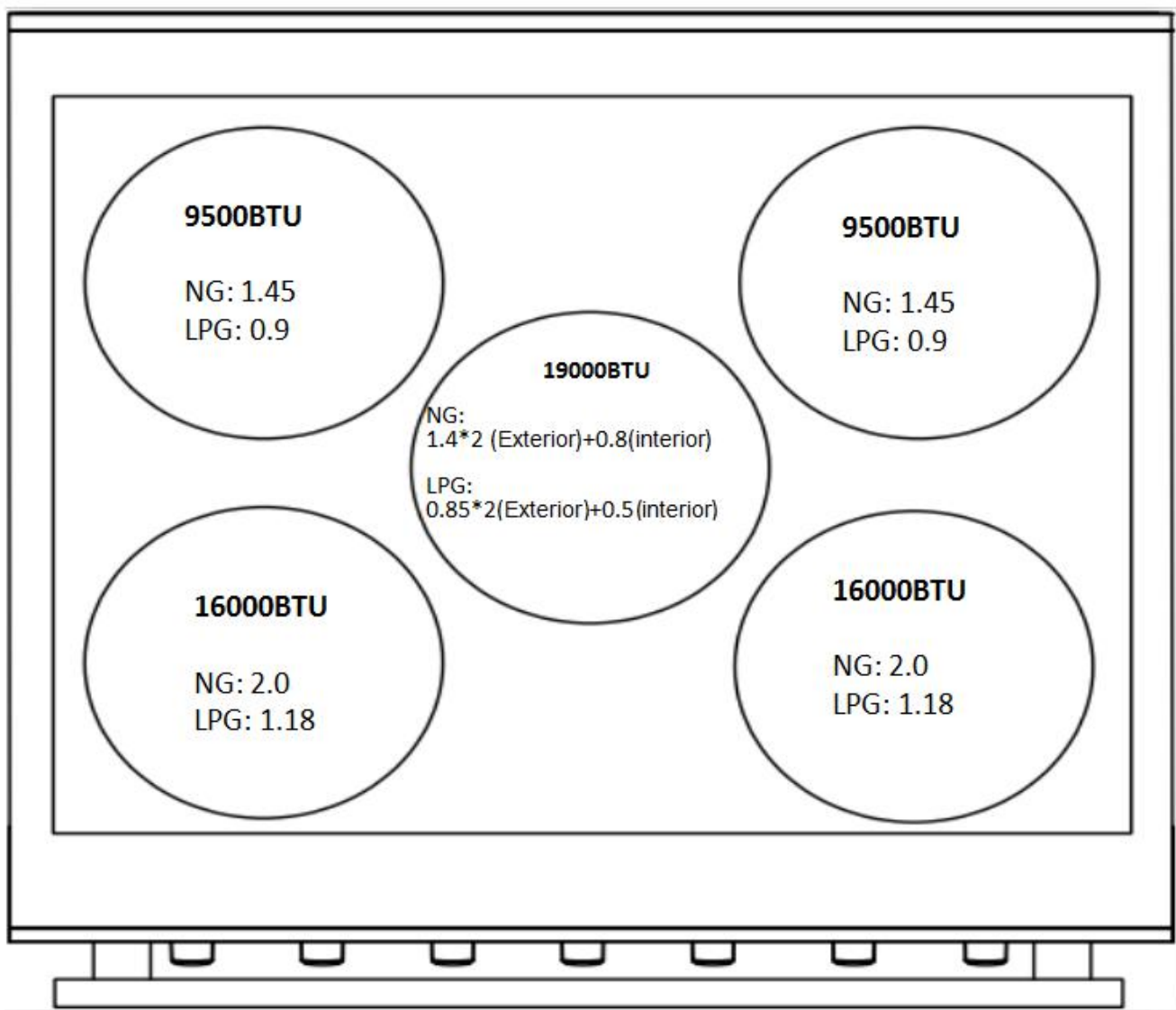


Socket wrench

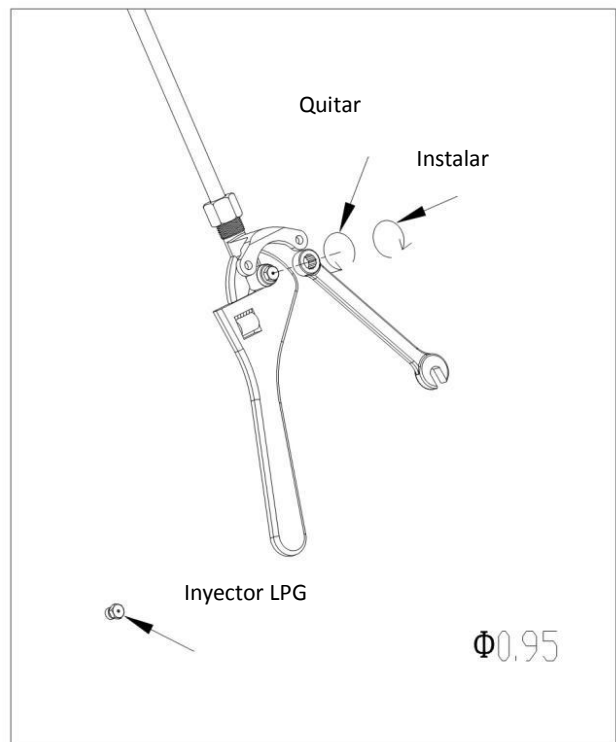
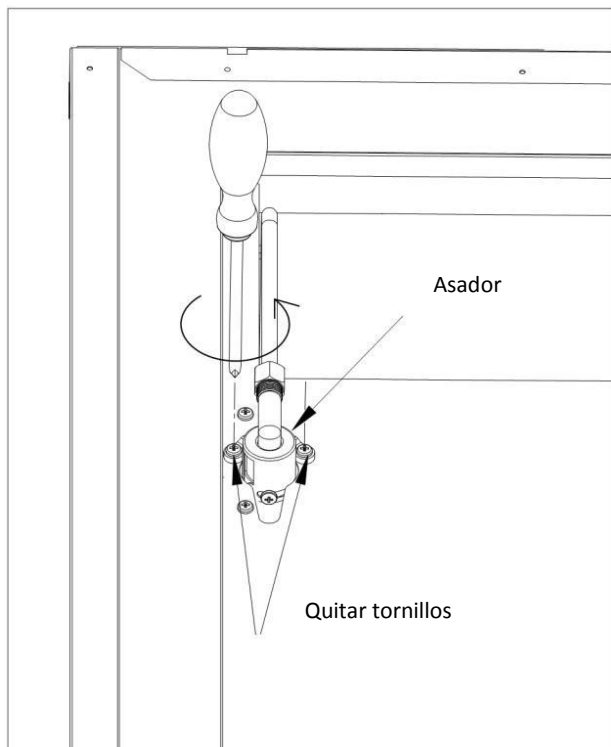
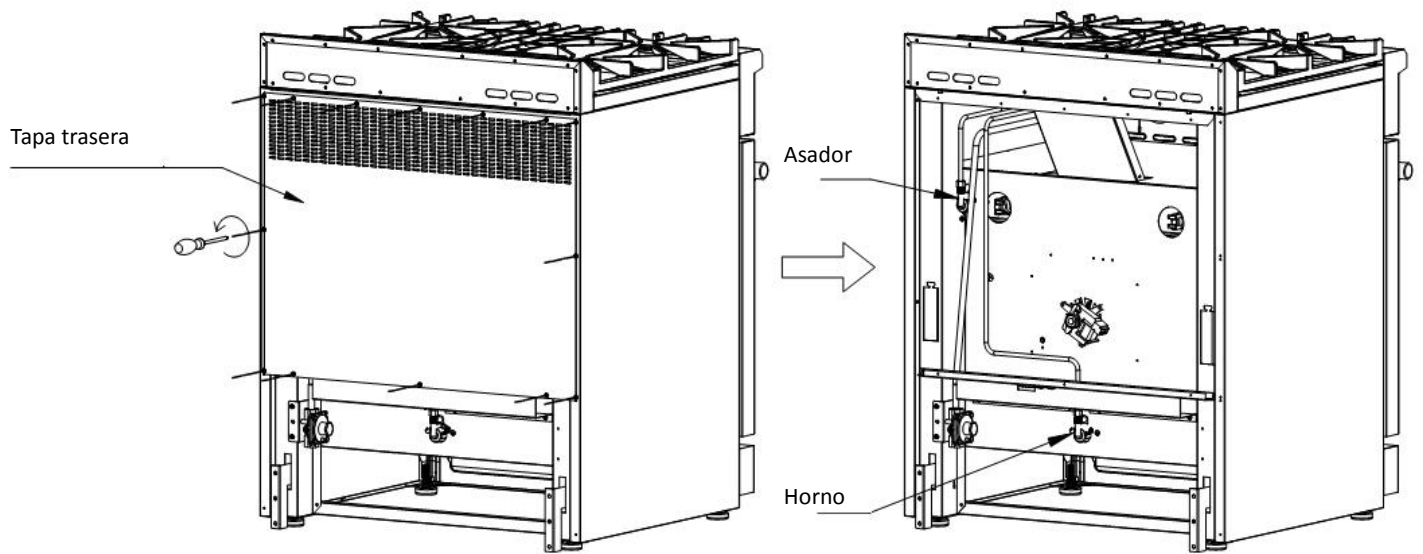
⚠ PRECACUCIÓN Tenga cuidado al retirar y colocar componentes de gas. Tome las medidas adecuadas para evitar daños a los componentes.

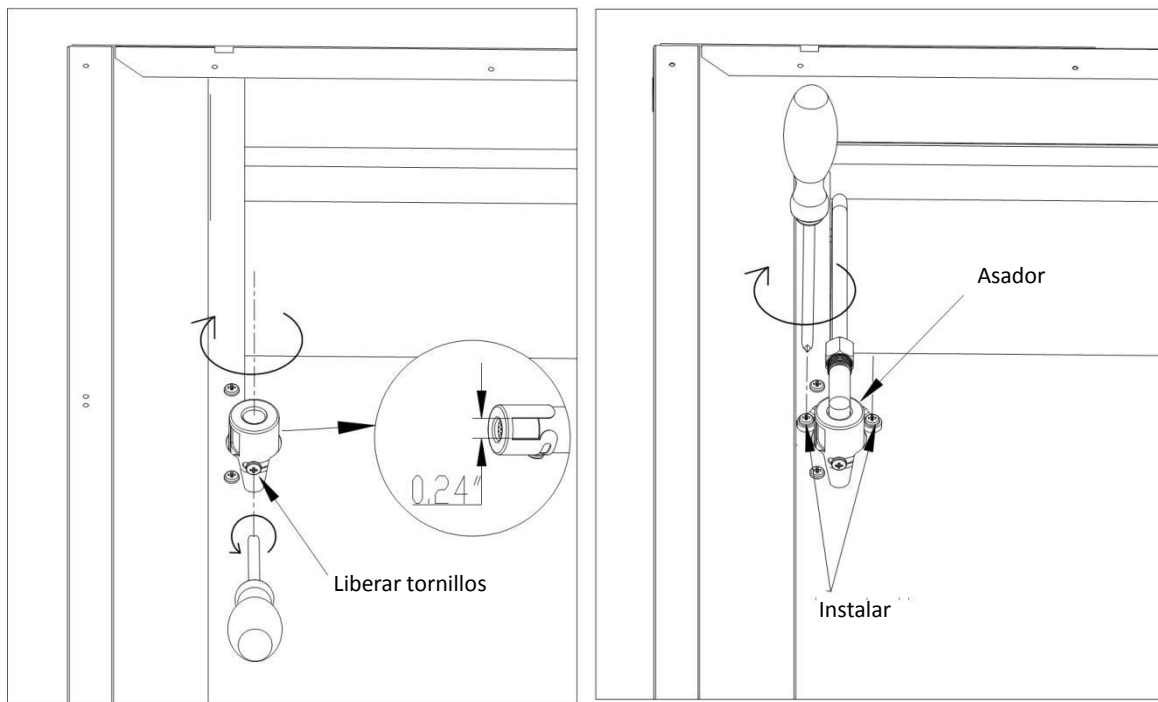
IMPORTANTE: Cada boquilla tiene un número impreso en el cuerpo que indica su diámetro de flujo. Consulte la tabla a continuación para ver las boquillas y quemadores correspondientes.

⚠ PRECACUCIÓN El sistema de reencendido y el sistema automático de corte de gas no están equipados en los quemadores de la estufa. Si la llama se apaga por accidente, debe cerrar la válvula inmediatamente para cortar el suministro de gas.



ETAPA 3: Quemador del asador (quemador superior dentro del horno)



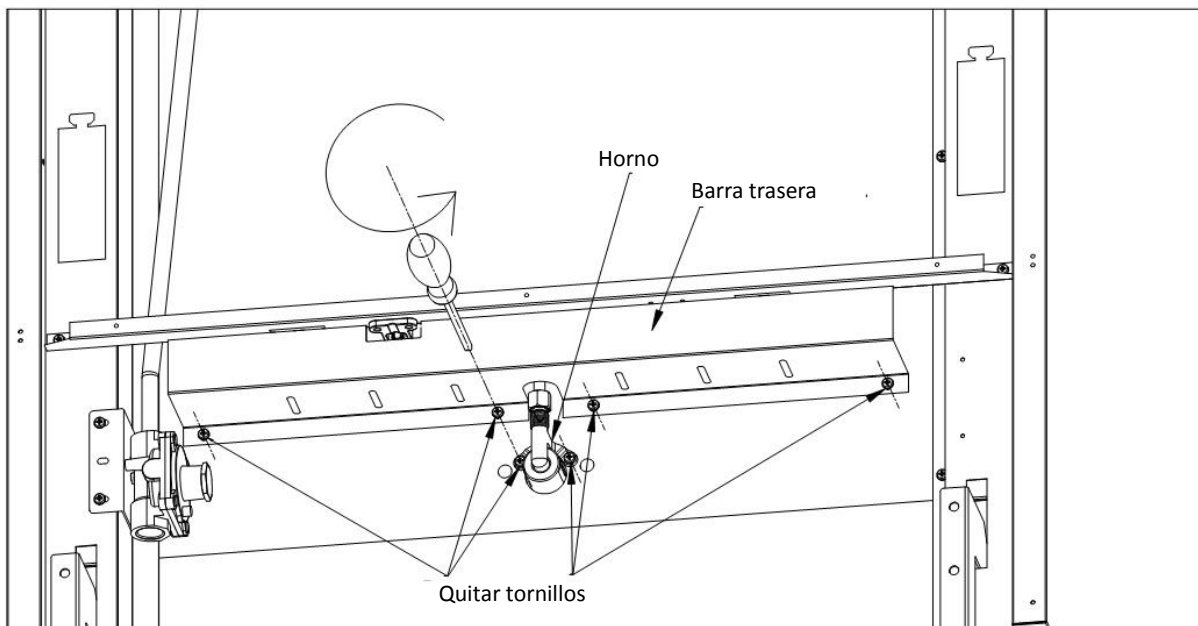


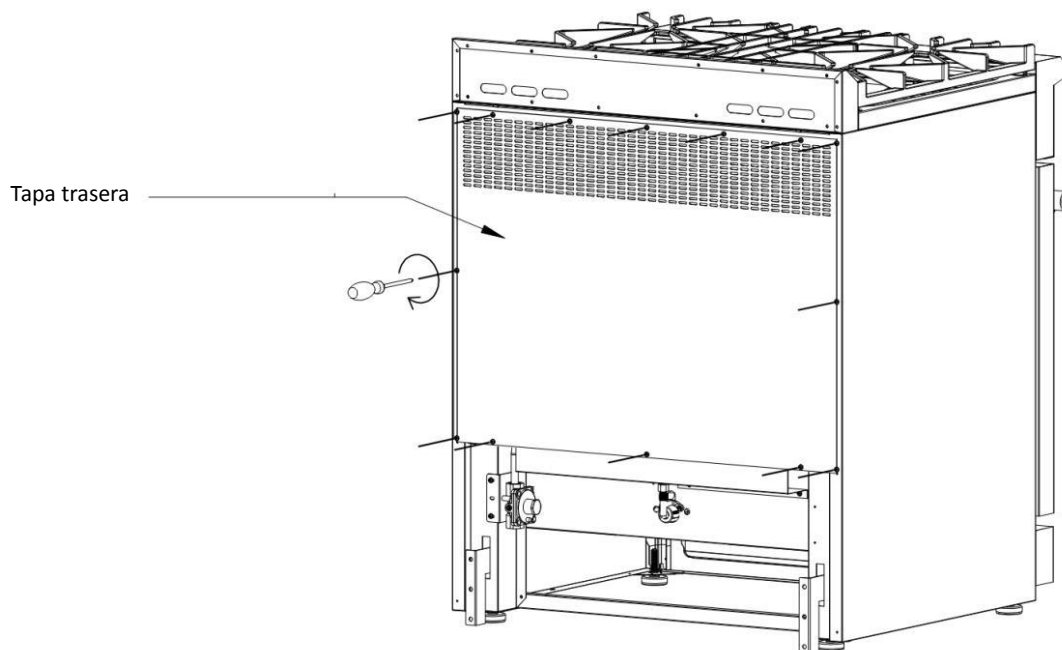
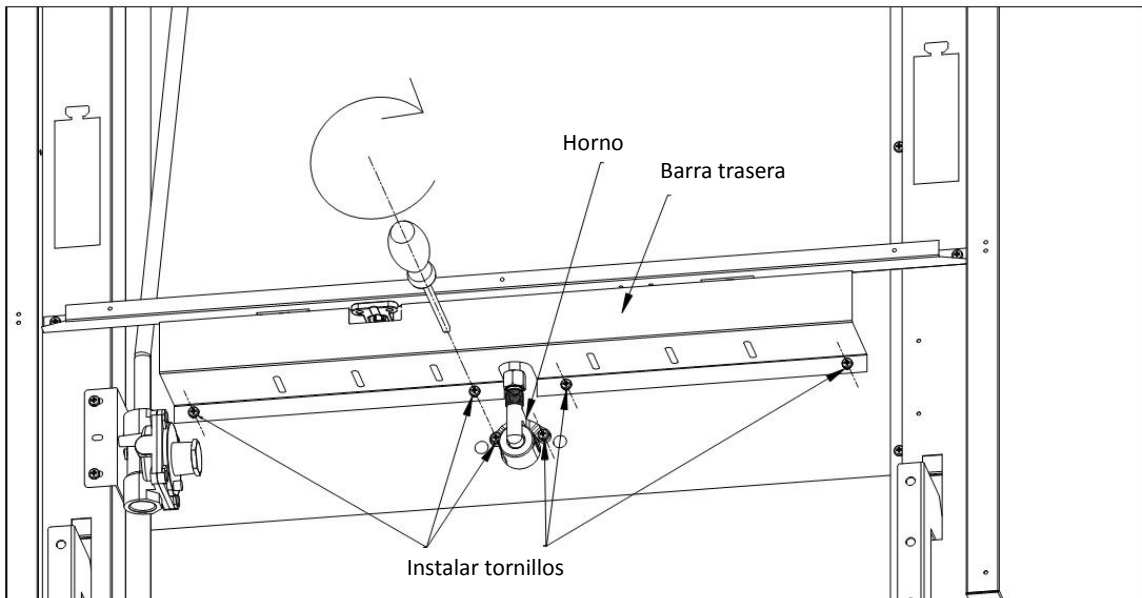
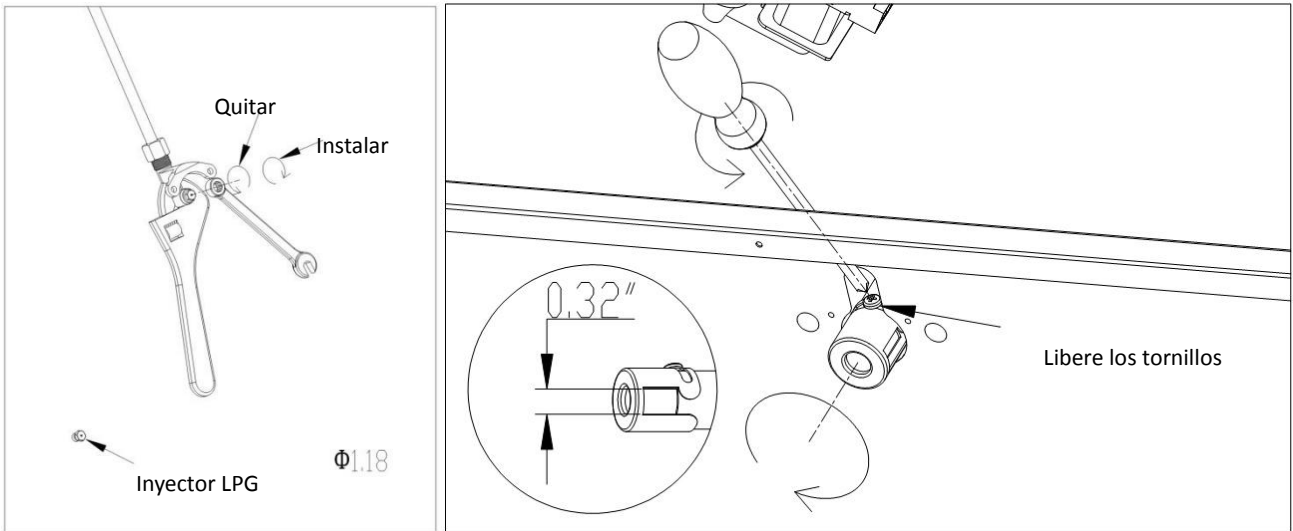
- A. Abra la tapa trasera quitando los tornillos.
- B. Use la llave abierta para quitar los tornillos del conector de la tubería.
- C. Saque el inyector LPG 0.95 de la bolsa de piezas y reemplace el inyector 1.6 NG por el inyector LPG 0.95.
- D. Afloje los tornillos y ajuste el diámetro del orificio de entrada de aire a 0.24 "
- E. Ajuste el conector de la tubería y la entrada de gas con los tornillos.

Diámetro del inyector para quemadores del asador

NG ---1.6 LPG --- 0.95

ETAPA 4: Quemador del horno (quemador inferior del horno)





- A. Abra la barra de la tapa trasera quitando los tornillos.
- B. Use la llave abierta para quitar los tornillos del conector de la tubería.
- C. Saque el inyector 1.18 LPG de la bolsa de piezas y reemplace el inyector 2.0 NG por el inyector 1.18 LPG.
- D. Afloje los tornillos y ajuste el diámetro del orificio de entrada de aire a 0.32 "
- E. Fije el conector de la tubería y la entrada de gas con los tornillos.
- F. Ajuste la barra de la tapa trasera con los tornillos.
- G. Instale la tapa trasera con los tornillos.

Diámetro del inyector para los quemadores del horno:

NG ---2.0 LPG --- 1.18

IMPORTANTE: Conserve los inyectores que ha quitado de la cocina para un uso futuro.

ETAPA 5: Reconecte el suministro de gas y electricidad.

Las pruebas de fugas en la cocina deben realizarse según las instrucciones de instalación que vienen con la cocina.

Antes de usar la cocina después de la conversión de gas, siempre verifique si hay fugas con una solución de agua jabonosa u otro método aceptable en todos los accesorios de gas entre la tubería de entrada de gas de la cocina, el regulador de gas y la válvula de cierre manual.



⚠ ADVERTENCIA ¡NO use una llama para verificar si hay fugas de gas!

⚠ ADVERTENCIA Asegúrese de que el termopar esté dentro de 2-2.5 mm lejos del quemador del horno.

De lo contrario, es posible que el termopar no toque la llama pequeña al nivel mínimo, lo que provocará que la llama se apague accidentalmente.

ETAPA 6: Instalación de la etiqueta de conversión de GLP

Tome nota y registre el modelo y el número de serie en la etiqueta de conversión de LP / propano provista en este kit.

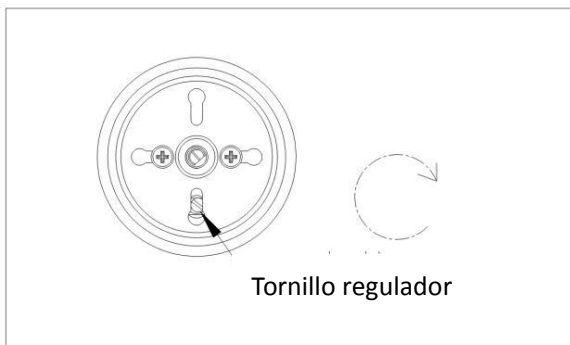
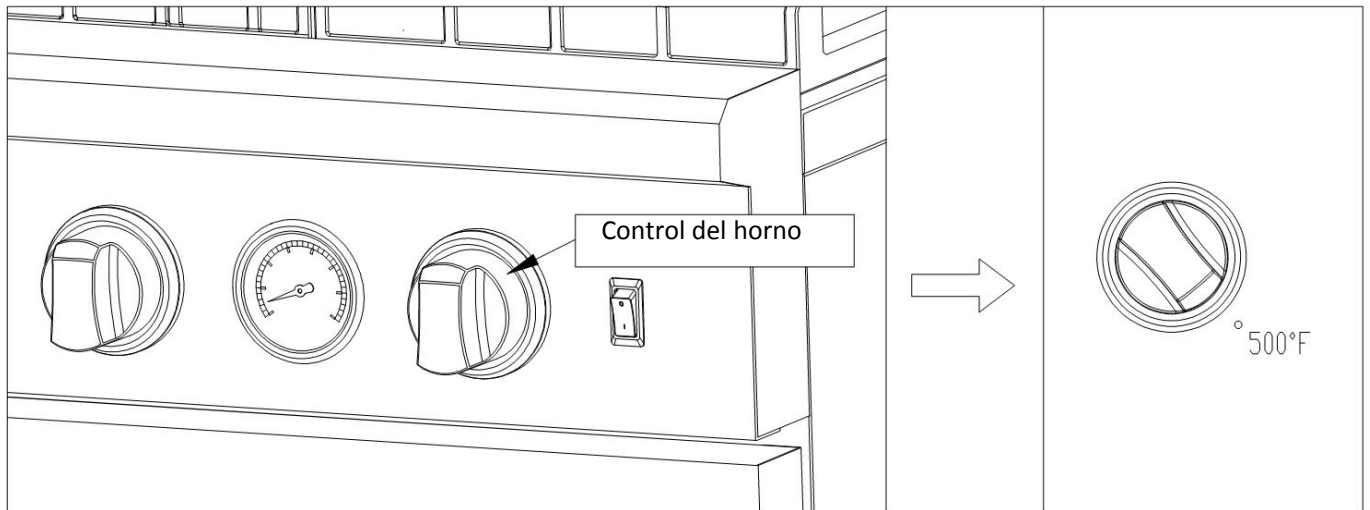
La información se puede obtener de la etiqueta de calificación / número de serie ya existente. Coloque la etiqueta de conversión de GLP en la cocina lo más cerca posible de la etiqueta de clasificación / serie ya existente.

ETAPA 7: Válvula de gas

Para ajustar la válvula del horno para uso PL, necesitará ajustar el tornillo regulador.

Siga las instrucciones de esta sección.

⚠ ADVERTENCIA Si el orificio se ajusta para que sea demasiado pequeño, la llama del quemador del horno podría apagarse durante el uso normal. Necesita reajustar el orificio en caso de que esto ocurra.



- A. Gire la perilla de control del horno a la posición 500F, tire de la perilla para acceder al tornillo regulador de la válvula.
- B. Utilice un destornillador pequeño de cabeza plana para ajustar el tornillo regulador. Gire el tornillo en el sentido de las agujas del reloj y apriételo al máximo.
- C. Vuelva a colocar la perilla.

Preparación

Antes de mover la cocina, proteja el acabado del revestimiento del piso y cierre las puertas del horno para evitar que se dañe.

Las puertas del horno pueden ser removidas para aligerar la carga o para pasar la unidad a través de la puerta. Solo retírelas si es necesario. No retire la placa calefactora u otros componentes. Solo un instalador autorizado o un técnico de servicio debe retirar la puerta.

Emplazamiento

No levante ni transporte la puerta del horno por la manija de la puerta. Use un carrito para electrodomésticos a fin de desplazar la cocina. Retire y recicle los materiales de embalaje. No tire el soporte antivuelco que viene con la cocina.

Nivelación

Eleve la cocina a la altura deseada ajustando los pies. Los pies se pueden ajustar girando el pie hexagonal en sentido horario para levantarlo y en sentido antihorario para bajarlo.

Soporte antivuelco

Para evitar que la cocina se incline hacia adelante, se debe instalar el soporte antivuelco. Consulte la sección de DISPOSITIVO ANTIVUELCO.

Conexión del suministro de gas

Todas las conexiones a los conductos de gas deben ajustarse con la llave. No apriete demasiado y no permita que los

conductos se doblen al apretar.

Una vez realizadas todas las conexiones, verifique que todos los controles de la cocina estén en la posición "OFF" y abra la válvula principal de suministro de gas.

Si utiliza un conector de metal flexible, verifique que no esté doblado. Luego, conecte la línea de suministro de gas al regulador de la cocina. Abra la válvula y verifique si hay fugas colocando una solución de detergente líquido en todas las conexiones de gas. Las burbujas alrededor de las conexiones indican una fuga de gas. Si se produce una fuga, cierre la válvula de cierre y ajuste las conexiones.

Las pruebas de fugas del dispositivo deben realizarse siguiendo las instrucciones del fabricante. Use agua jabonosa (50% de agua y 50% de jabón) o un detector de fugas en todas las juntas y conexiones para verificar si hay fugas en el sistema. No use una llama para verificar si hay fugas de gas.

El aparato debe aislarse del sistema de tuberías de suministro de gas del edificio cerrando su válvula de cierre manual individual durante cualquier prueba de presión del sistema de tuberías de suministro de gas a una presión de prueba igual o menor a 0.5 psi (3.5 kPa).

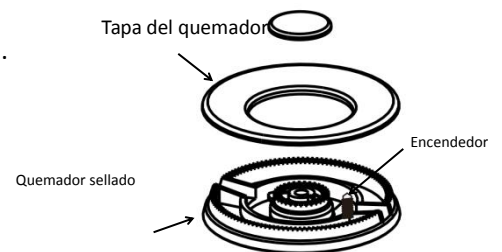
Inicio

Antes de comenzar a cocinar, siga los siguientes pasos.

- Retire el embalaje exterior e interior.
- Retire la película protectora de las piezas de acero y aluminio.
- Limpie a fondo la cocina con agua caliente y un detergente suave. Enjuague y seque con un paño suave para eliminar cualquier aceite o grasa que haya quedado del proceso de fabricación.
- Verifique que los componentes del quemador de superficie estén correctamente ensamblados.
- Organice el interior del horno insertando los estantes y la bandeja.

Funcionamiento de la placa de cocción

Cada quemador contiene todos sus accesorios en un solo conjunto. La tapa del quemador debe ponerse horizontalmente en el quemador. Consulte la ilustración.



Encendido

Para encender los quemadores de la cocina, presione la perilla de control apropiada y gírela en sentido antihorario a la posición "⚡". Escuchará un clic: el sonido de la chispa eléctrica que enciende el quemador.

Una vez que se ha logrado el encendido del quemador, gire la perilla de control del quemador para ajustar la intensidad de llama deseada. Cuando un quemador es girado a "⚡", todos los quemadores se encenderán. Las chispas continuarán hasta que se deje de presionar la perilla, gire la perilla para ajustar la intensidad de llama deseada.

La perilla apuntando a "⚡" está al nivel máximo de fuego. Girar la perilla hacia arriba o hacia abajo puede disminuir el fuego. Cuando la perilla se gira a la posición OFF, la cocina dejará de funcionar y la válvula se cerrará.

NOTE: No intente desarmar o limpiar alrededor de un quemador mientras otro quemador esté encendido. No toque las tapas de los quemadores, las bases de los quemadores ni los encendedores mientras los encendedores producen chispas.

⚠ PRECACCIÓN Nunca deje las cacerolas en una configuración alta sin vigilancia. Debe tener cuidado al

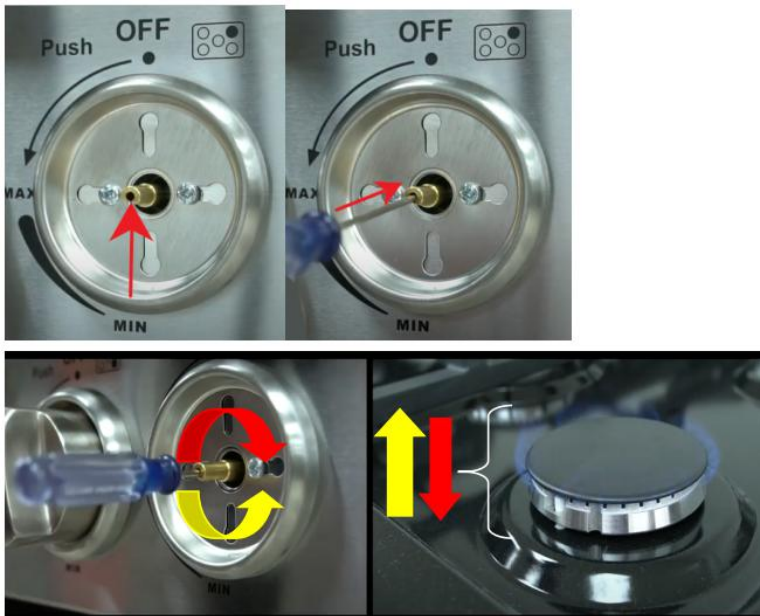
cocinar alimentos en aceite o grasa; pueden calentarse lo suficiente como para incendiarse.

Llamas pequeñas o grandes:

Una llama más pequeña proporcionará mejores resultados para hervir a fuego lento. Las llamas pequeñas ofrecen un rendimiento de cocción preciso para alimentos delicados, mantienen los alimentos calientes, funden chocolate o mantequilla y permiten cocinar a fuego lento durante mucho tiempo.

La configuración para llamas más grandes proporciona el calor máximo en su cocina. Esta configuración debe usarse para cocciones más intensas, como hervir agua y cocinar pasta.

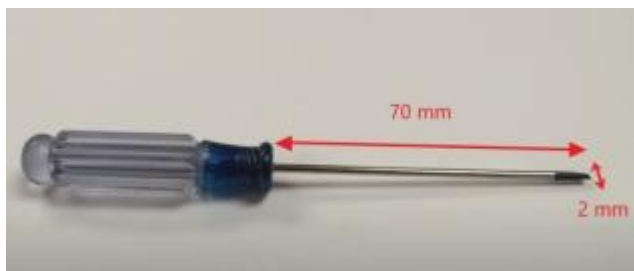
Intensidad de la llama



• Para ajustar la intensidad de la llama, siga el siguiente paso:

A. Jale la perilla para acceder al tornillo de ajuste, ubicado en el medio del vástago de la válvula.

B. Inserte un destornillador pequeño de punta plana (2 mm de ancho y 70 mm de largo) dentro del vástago de la válvula hasta que llegue al extremo más alejado.



C. Al girar el destornillador en el sentido de las agujas del reloj, la intensidad de la llama disminuirá y al girarlo en el sentido contrario a las agujas del reloj, la llama aumentará.

D. Cuando lo gire en el sentido de las agujas del reloj, asegúrese de no apretar completamente el tornillo de ajuste, porque si lo hace, el gas se cortará por completo y cuando lo gire en el sentido de las agujas del reloj. En el sentido contrario a las agujas del reloj, asegúrese de no aflojarlo tanto como sea posible.

Corte de electricidad

• Si el gas no se enciende en cuatro segundos, cierre la válvula y espere al menos cinco minutos para que se disipe todo el gas. Repita el procedimiento de encendido.

• Si no hay electricidad, los quemadores de la superficie pueden encenderse manualmente. Mantenga una cerilla encendida cerca de un quemador y gire la perilla en sentido antihorario para alcanzar la posición “⚡”. Una vez que el quemador esté

encendido, gire la perilla a la configuración deseada.

Rejillas del quemador

1. Antes de cocinar, deben colocarse correctamente las rejillas. Instalarlas incorrectamente puede rayar la placa de cocción y/o provocar una combustión inadecuada.
2. No utilice los quemadores sin una cacerola o utensilio sobre las rejillas.

⚠ PRECACUCIÓN La superficie de la parrilla está caliente después de su uso. Antes de limpiarla, espere el tiempo suficiente para que se enfríe.

Consejos para limpiar la placa de cocción

- Para evitar que la placa de cocción se decolore o se manche, límpiela después de cada uso y limpie las salpicaduras ácidas o azucaradas tan pronto como la cubierta se enfríe.
- Los quemadores sellados de su cocina no están unidos a la cocina y están diseñados para ser retirados. Los derrames no se filtrarán debajo de la placa de cocción. Los quemadores deben limpiarse después de cada uso.

Oven Light

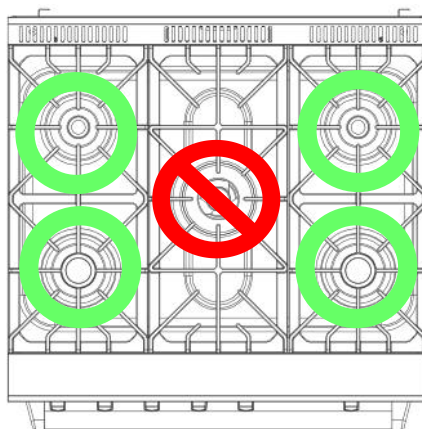
La luz del horno se controla mediante un botón ubicado en el panel de control. Se puede usar esta luz mientras cocina o limpia el horno.

⚠ ADVERTENCIA Antes de reemplazar la luz del horno, asegúrese de que la corriente eléctrica esté desconectada de la caja eléctrica y que el horno esté completamente frío. Desmonte la tapa de la luz y reemplace la bombilla con una bombilla halógena de 25 vatios. Instale nuevamente la tapa de la luz correctamente.

Usando la placa calefactora

⚠ ADVERTENCIA Asegúrese de seguir todas las instrucciones para el uso adecuado de la placa calefactora. No utilizar correctamente la placa de cocción puede dañarla y anular la garantía. Position de la plaque chauffante

La zona de cocción no se puede utilizar en las parrillas intermedias. Para un uso correcto, la zona de cocción debe estar en las rejillas izquierda o derecha;



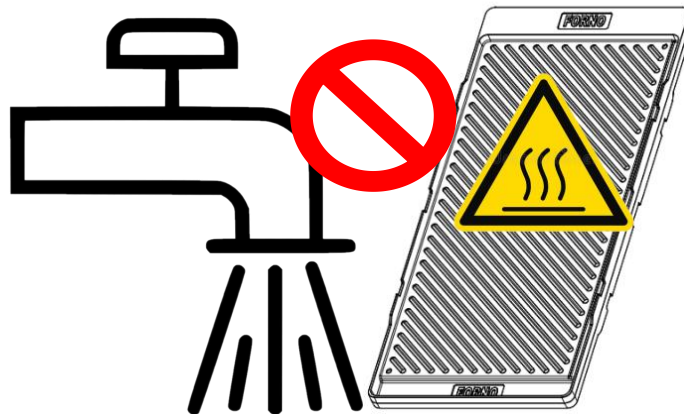
Ajustar la intensidad del calor

La placa calefactora no está diseñada para uso a altas temperaturas. Las temperaturas más altas dañarán el revestimiento antiadherente con el tiempo.



Limpieza

Para evitar lesiones personales y daños a la placa calefactora, espere siempre hasta que la placa calefactora se haya enfriado antes de lavarla o sumergirla en agua.



FUNCIONAMIENTO DEL HORNO

Este horno es muy poderoso. Puede alcanzar 350 ° F en aproximadamente 7-10 minutos porque la llama está encendida durante todo el período de uso del horno. Este horno no está equipado con un sistema de reencendido automático que se encenderá y apagará durante la cocción. Lea la siguiente información para obtener más información sobre el sistema de encendido de tipo analógico del horno.

Cuando use el horno, presione y gire la perilla del horno en sentido antihorario hasta la temperatura deseada (ej. : 325 ° F) y manténgala presionada hasta que se encienda el quemador del horno. Mientras se enciende, espere de 5 a 10 segundos antes de soltar el botón. Tenga en cuenta que la llama será grande durante todo el proceso de precalentamiento. Una vez precalentado, la llama disminuirá automáticamente de tamaño, lo que indica que el horno está listo para cocinar. Abra la puerta, coloque la comida dentro del horno y espere hasta que la llama sea visiblemente más grande antes de cerrar la puerta (esto puede tardar unos segundos).

Los pasos anteriores se describen debido al mecanismo de seguridad de corte térmico en el que el dispositivo de seguridad debe permanecer siempre en contacto con la llama para mantenerla encendida. Cuando la llama es grande, el contacto es fuerte.

El horno está diseñado para mantener la temperatura de cocción inicial seleccionada. Si se desea una temperatura de horneado más baja que la configuración de precalentamiento original, el horno se debe volver a encender manualmente repitiendo los pasos anteriores.

ADVERTENCIA: Si el quemador del horno no enciende probando 3 veces seguidas, el horno podría estar lleno de gas. Abra la puerta del horno para permitir que se disipe el gas antes de volver a encenderlo. De lo contrario, el horno puede explotar y el usuario se lastimará.

IMPORTANTE: El dispositivo de seguridad ya viene equipado con el quemador del horno. Si la llama se apaga por accidente, el suministro de gas se cerrará automáticamente. Debe volver a colocar la perilla de control en la posición APAGADO (OFF) y volver a encenderlo.

Sistema de encendido

Cuando la llama está encendida, suelte la perilla, y las chispas se detendrán.

Consejos para hornear

1. Nunca cubra ninguna ranura, agujero o la parte inferior del horno, ni cubra una rejilla completa con materiales como papel de aluminio. Esta acción bloquea el flujo de aire hacia el horno y puede causar envenenamiento por monóxido de carbono. El revestimiento de aluminio también puede atrapar el calor y provocar un peligro de incendio.

No use papel de aluminio sobre ninguna superficie de porcelana. Esto podría dañar la porcelana y afectar su durabilidad.

2. Coloque las rejillas antes de precalentar el horno.

Precalentamiento

Precaliente el horno antes de colocar la comida. Es necesario precalentar el horno para obtener buenos resultados al hornear pasteles, galletas, pasteles y panes.

El ventilador del horno se encenderá automáticamente cuando el quemador inferior esté funcionando. Para un precalentamiento rápido, gire la perilla del horno a la posición "Asar". Espere a que el horno se caliente, por aproximadamente 3 minutos.

Nota: Es normal que el vidrio de la puerta del horno muestre condensación y ésta generalmente se evapora al final del ciclo de precalentamiento.

Función del horno

La cocción natural ocurre cuando los quemadores transfieren el calor al horno mediante los quemadores ubicados al fondo de la cavidad del horno. El calor luego circula a través de la circulación de aire natural. Esta es la configuración de cocción tradicional.

Horneado por convección

El ventilador del horno se encenderá cuando el quemador inferior esté funcionando. El calor se transfiere a todo el interior de la cavidad del horno, proporcionando una distribución de calor más uniforme dentro del horno que la cocción regular.

Asado por convección

El ventilador de convección hace circular el calor uniformemente sobre y alrededor de la comida. Hace circular calor sobre la comida mientras se está asando.

Funcionamiento del asador

Nota: Durante el funcionamiento del asador, la puerta debe permanecer cerrada.

El quemador del asador se ubica en la parte superior del horno.

Como el proceso de asado se hace con la puerta del horno cerrada, es normal que agregue un poco de sabor ahumado a la comida.

Ajuste del asador

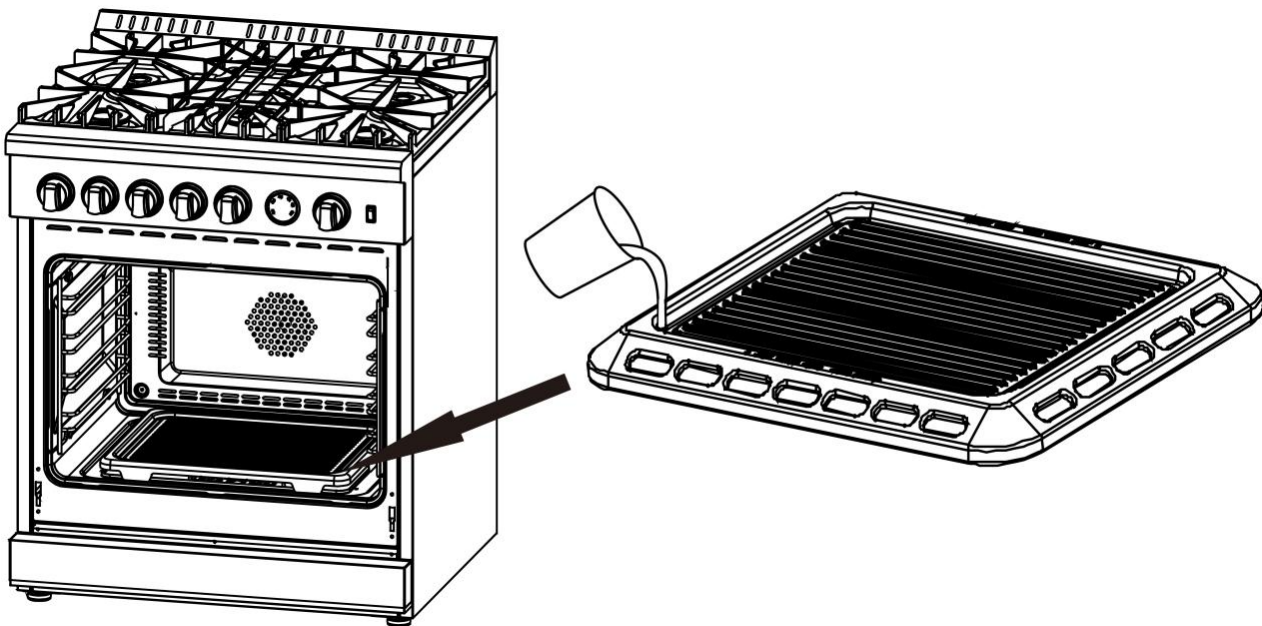
Gire la perilla de control del horno en el sentido horario para seleccionar la función Asar. Al asar, el calor se irradia hacia abajo desde el asador de horno. La temperatura de la función de asado es 500°F (260°C).

Consejos de limpieza del horno

1. Después de cada uso, y una vez que el horno se enfríe, limpie las salpicaduras y los derrames de inmediato.
2. No permita que alimentos con un alto contenido de azúcar o ácido permanezcan en la superficie de la cavidad del horno.
3. Use un limpiador de horno para limpiar la cavidad del horno.
4. Utilice sables suaves para limpiar para limpiar la estufa de esmalte y la cámara del horno de esmalte. Limpieza a vapor

Limpio al vapor

Para facilitar la limpieza, puede agregar un máximo de 200 ml de agua a la ranura de la placa ignífuga en el fondo de la cavidad del horno, NO exceda la ranura. Encienda el horno para calentar y generar vapor en todo el horno para ablandar la suciedad adherida a la cavidad y facilitar la limpieza.



Termostato del horno y medidor de temperatura

El termostato viene equipado con el horno, cuando la temperatura del horno alcanza el ajuste configurado, el termostato mantendrá la temperatura del horno relativamente estable. La temperatura real del horno se puede leer desde el medidor en el panel de control.

⚠ ADVERTENCIA Si la temperatura del medidor no coincide correctamente con su configuración cuando la cocina está funcionando por un tiempo, comuníquese con un técnico profesional local para su verificación. **NO** está permitido que el usuario rompa la cocina para ajustar el termostato del horno directamente.


Recomendaciones de cuidado y mantenimiento

Acero inoxidable	Use un limpiador de acero inoxidable no abrasivo, aplique una pequeña cantidad en un paño suave, limpie ligeramente la superficie de acero inoxidable y luego seque con una toalla. Cuando limpie sobre la superficie de acero inoxidable, siga siempre el grano del metal.
Rejillas de quemador Guías de rejilla del horno	Lave con agua caliente y detergente suave o con bicarbonato de sodio y agua. No sumergirlos en agua. Secarlos con una toalla.
Bandeja del quemador	Retire los restos de la superficie antes de limpiar para acelerar el proceso y reducir el riesgo de rayar la superficie durante la limpieza. Use limpiadores abrasivos suaves o desengrasantes en aerosol, limpie y enjuague la superficie y seque inmediatamente para evitar rayaduras. Para limpiar las manchas de agua dura, use vinagre blanco y agua. Enjuague y seque inmediatamente.
Quemadores de la placa de cocción	Deje que se enfríen. Use un detergente suave o un desengrasante en aerosol para limpiarlos. Enjuague con agua y seque con una toalla.
Perillas de control	Con un paño húmedo, limpie con un detergente suave o un desengrasante en aerosol; enjuague y seque. No las coloque en el lavavajillas.
Interior del horno	Use limpiadores abrasivos suaves y desengrasantes en aerosol. Use una cuchilla de afeitar para levantar suavemente los alimentos cocidos de la cavidad y ventana del horno. Para manchas difíciles, rocíe con un limpiador abrasivo suave o un desengrasante en aerosol. Limpie toda la cavidad del horno con agua y jabón.
Sartén	Para limpiar la sartén, quite la grasa y lave con agua caliente y detergente suave. Enjuague y seque.

Consejos para solucionar problemas

Antes de llamar al servicio de asistencia

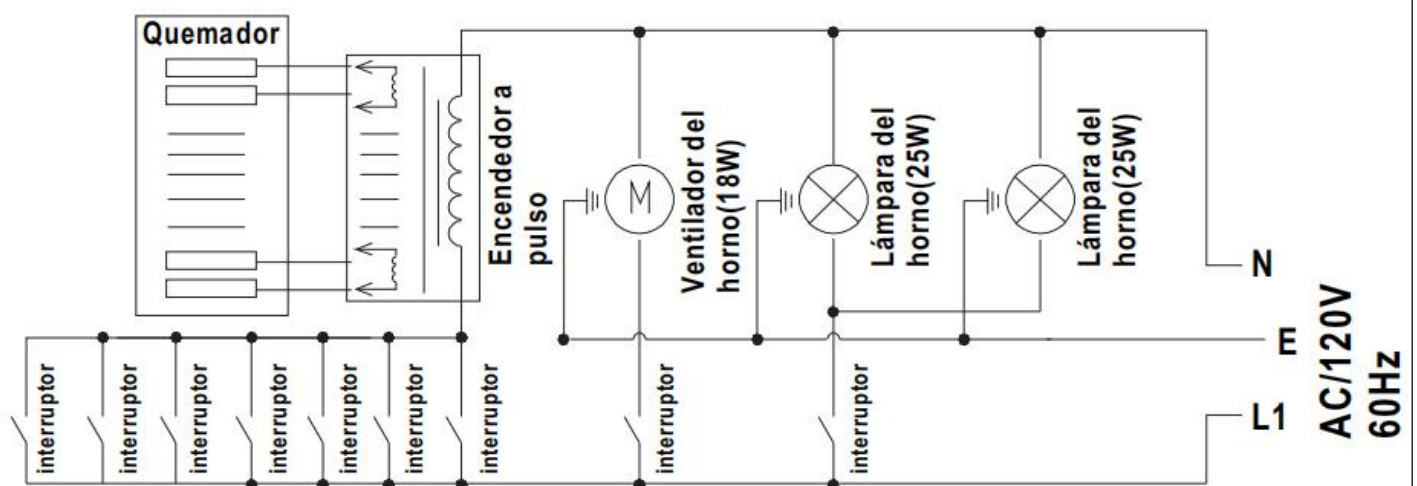
La cocina no funciona	Compruebe que haya energía eléctrica. Compruebe que la energía eléctrica llegue a la cocina y el disyuntor doméstico esté encendido.
Los quemadores no se encienden ni chispean aleatoriamente	El enchufe eléctrico no está enchufado a un tomacorriente activo. El suministro de gas no está activado. Las piezas del quemador no se reemplazaron correctamente. Los agujeros en los anillos de cocción o las ranuras de los quemadores están bloqueados. Las boquillas, los quemadores o los electrodos mojados están obstruidos. Es posible que haya saltado un fusible en su casa o que se haya disparado un disyuntor.

<p>Los quemadores tienen llamas amarillas o amarillas dispersas</p>	<p>Las piezas del quemador no se reemplazaron correctamente.</p> <p>A. Llamas amarillas: llame al servicio.</p> <p>B. Puntas amarillas en conos exteriores: es normal para gas propano (PL).</p> <p>C. Llamas azules suaves: es normal para gas natural.</p>  <p>Si las llamas del quemador se parecen a (A), solicite servicio técnico. Las llamas normales del quemador deben verse como (B) o (C), dependiendo del tipo de gas.</p>
<p>Las llamas de los quemadores son muy grandes o amarillas.</p>	<p>La cocina puede estar conectada a un tipo de combustible incorrecto. Póngase en contacto con la persona que lo instaló o lo convirtió.</p>
<p>Las llamas de los quemadores contienen parpadeos anaranjados.</p>	<p>Polvo suspendido en el aire; humidificador de vapor frío; desechos en o dentro del quemador</p>
<p>Las luces del horno no funcionan</p>	<p>Si la bombilla está defectuosa, reemplácela.</p>
<p>Las rejillas del horno son difíciles de deslizar</p>	<p>No rocíe spray de cocina ni otros lubricantes en aerosol. Lea la información completa sobre Rejillas de horno en la sección Cuidado y limpieza.</p>
<p>La comida no se hornea o se asa correctamente.</p>	<p>Los controles del horno pueden estar configurados incorrectamente. Vea la sección Hornear o asar.</p> <p>El horno no se ha precalentado durante un período suficiente. Utensilios de cocina inadecuados o incorrecto tamaño de la cacerola utilizada. Rejillas en la posición incorrecta. Vea la sección Hornear o Asar. Use una cobertura de aluminio para disminuir el dorado mientras cocina</p>
<p>Los alimentos no se asan correctamente</p>	<p>Este modelo está diseñado solo para parrillas de puerta cerrada. Cierre la puerta. Siempre ase con la puerta cerrada.</p> <p>Los controles del horno no están configurados para ASAR. Ver la sección ASAR.</p> <p>Posición incorrecta de la parrilla.</p> <p>Los utensilios de cocina no son aptos para asar. Use la asadera y la parrilla provistas con su horno.</p> <p>El papel de aluminio utilizado sobre la bandeja asadera y la parrilla no se instalaron correctamente como se recomendó.</p>
<p>Temperatura del horno demasiado alta o demasiado baja.</p>	<p>Debe ajustarse el termostato del horno. Consulte Configuración del termostato del horno.</p>
<p>Vapor que proviene de la ventilación</p>	<p>Cuando se usa el modo convección, es normal que salga vapor de la ventilación del horno. A mayor cantidad de rejillas o más alimentos en cocción, aumenta la cantidad de vapor visible.</p>

Olor a quemado o aceite emitido por la ventilación	Esto es normal en un horno nuevo y desaparecerá con el tiempo.
Olor fuerte	Es temporal. Las primeras veces que use el horno, es normal que haya un olor causado por el aislamiento que rodea el interior del horno.
Ventilador de convección no siempre en funcionamiento	El ventilador de convección (según la función utilizada) se puede encender y apagar hasta que se complete la función o se abra la puerta para optimizar el rendimiento. Esto es normal. El ventilador de convección puede girar en sentido horario hasta que se complete la función o se abra la puerta.
Condensación o vidrio de la puerta empañado	Durante el precalentamiento del horno, la condensación o el empañamiento del vidrio de la puerta del horno es normal y generalmente se evaporará al final del ciclo de precalentamiento.
Crujido o explosión durante la limpieza	Es normal. Este es el sonido del metal calentándose y enfriándose durante las funciones de cocción y limpieza.
Humo excesivo durante la limpieza.	El horno está muy sucio. Gire el selector de modo del horno y las perillas de temperatura a OFF (apagado). Abra las ventanas para eliminar el humo de la habitación. Espere hasta que la luz indicadora de puerta cerrada se apague. Remueva el exceso de suciedad y vuelva a limpiar.
Al cerrar la puerta, el horno se incendió accidentalmente	Cuando la temperatura del horno alcance la temperatura establecida, la llama dentro del horno será pequeña. Si cierra la puerta con la llama mínima, la llama se apagará accidentalmente. Asegúrese de que la pequeña llama va a ser más grande antes de cerrar la puerta (no más de 60 años)

Diagramas de cableado

FFSGS6276-30



Precaución: Etiquete todos los cables antes de desconectarlos cuando realice el mantenimiento de los controles. Los errores de cableado pueden causar una operación incorrecta y peligrosa: Verifique el correcto funcionamiento después de haber realizado el mantenimiento.

