

# RANGE HOOD

**Model#: FRHWM5074-22**

**FORNO 22" BUILT-IN RANGE HOOD**

**MODEL**

**cETLus APPROVAL**

**Specifications:**

Voltage/Frequency: 120Volt/60Hz

Current: 1.3A

Lamp Power: 2\*20W

Finishing: Painted body with 430SS

panel

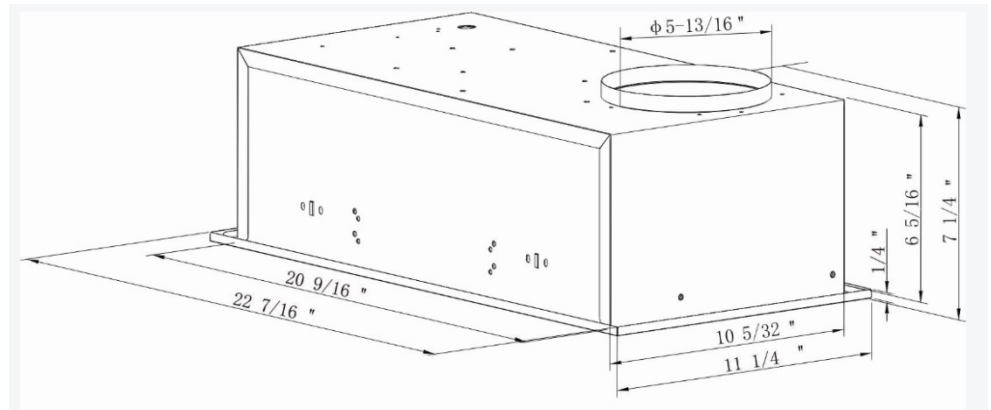
Net weight: 14.8 lbs

Gross weight: 16.9 lbs



**Features:**

- Slim built-in size
- Stainless steel panel with painted body
- 170CFM airflow
- GU10 halogen lamp\*2
- Aluminum filter
- 3 Speed push button



**Product Dimension:**

(W x D x H) (in):

22.44" x 11.26" x 7.24"